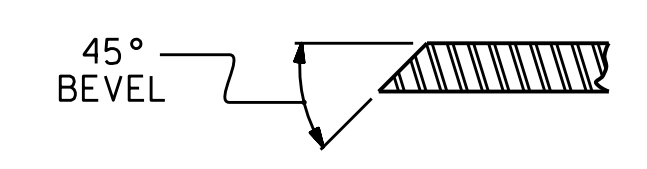
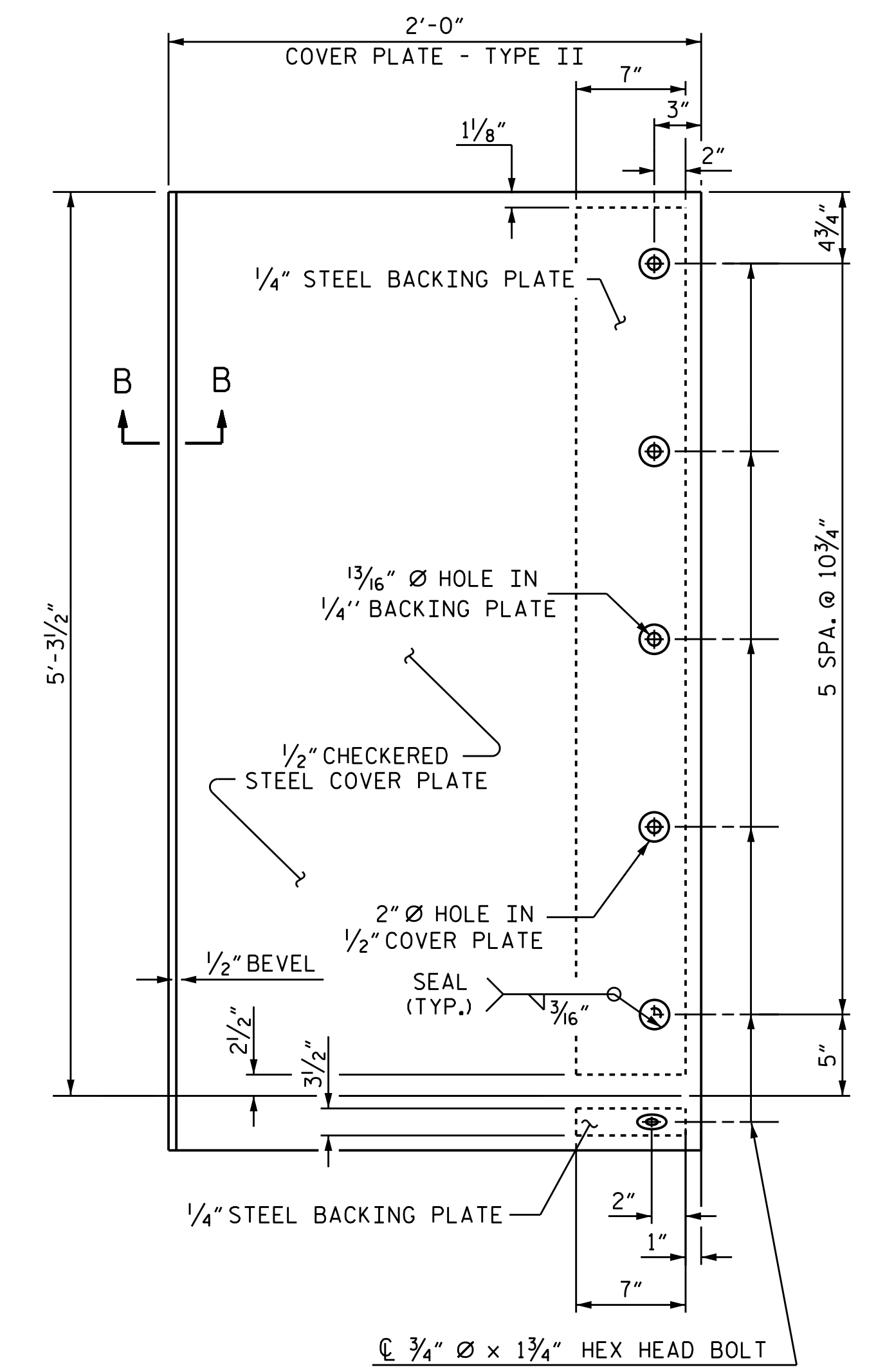


END VIEW
(NORMAL TO SIDEWALK)

* CONCRETE RECESS DIMENSIONS:
 1 3/16" FOR THE SIDE OF THE JOINT HAVING THE 1/2" COVER PLATE WITH A 1/4" BACKING PLATE.
 3/16" FOR THE SIDE OF THE JOINT HAVING ONLY THE 1/2" COVER PLATE.

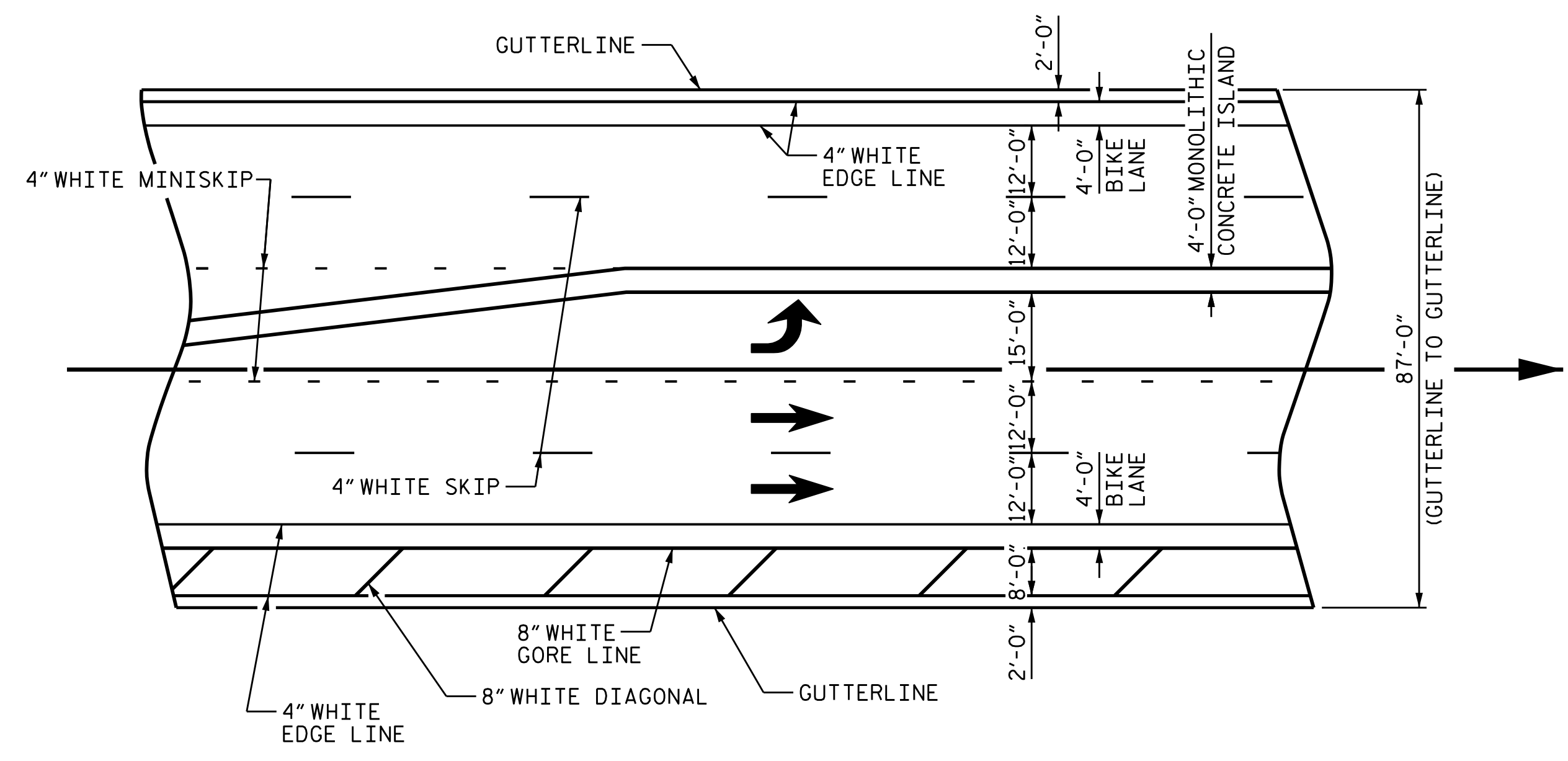


SECTION B - B

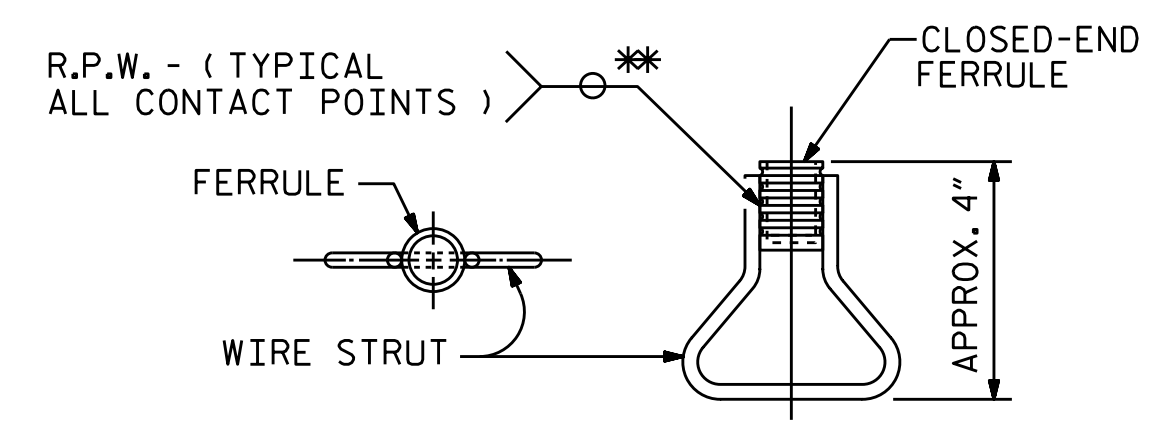


TYPE II - PLAN VIEW
(4 REQUIRED)

COVER PLATE DETAILS



PAVEMENT MARKING ALIGNMENT



PLAN ELEVATION

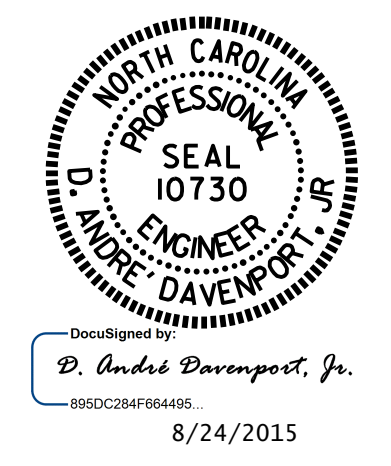
CONCRETE INSERT

** EACH WELDED ATTACHMENT OF WIRE TO FERRULE SHALL DEVELOP THE TENSILE STRENGTH OF THE WIRE.

PROJECT NO. B-3159
DAVIDSON COUNTY
 STATION: 13+41.72 -L-

SHEET 3 OF 3

| | | | | | | |
|--|-----|-------|-----|-----|-------|--------------------|
| STATE OF NORTH CAROLINA DEPARTMENT OF TRANSPORTATION RALEIGH | | | | | | SHEET NO. S-24 |
| STANDARD EXPANSION JOINT SEAL DETAILS FOR SIDEWALK | | | | | | |
| REVISIONS | | | | | | TOTAL SHEETS 43 |
| NO. | BY: | DATE: | NO. | BY: | DATE: | |
| 1 | | | 3 | | | |
| 2 | | | 4 | | | |



| | |
|---|-----------------------|
| ASSEMBLED BY : R.L. CHESSON | DATE : 06/05/2014 |
| CHECKED BY : J.D. HAWK | DATE : 02/12/2015 |
| DRAWN BY : REK 10/87 | REV. 10/17/00 RWW/LES |
| CHECKED BY : CRK 1/88 | REV. 5/11/06 TLA/GM |
| | REV. 10/1/11 MAA/GM |
| DESIGN ENGINEER OF RECORD: R.L. CHESSON DATE : 6/10/15 | |