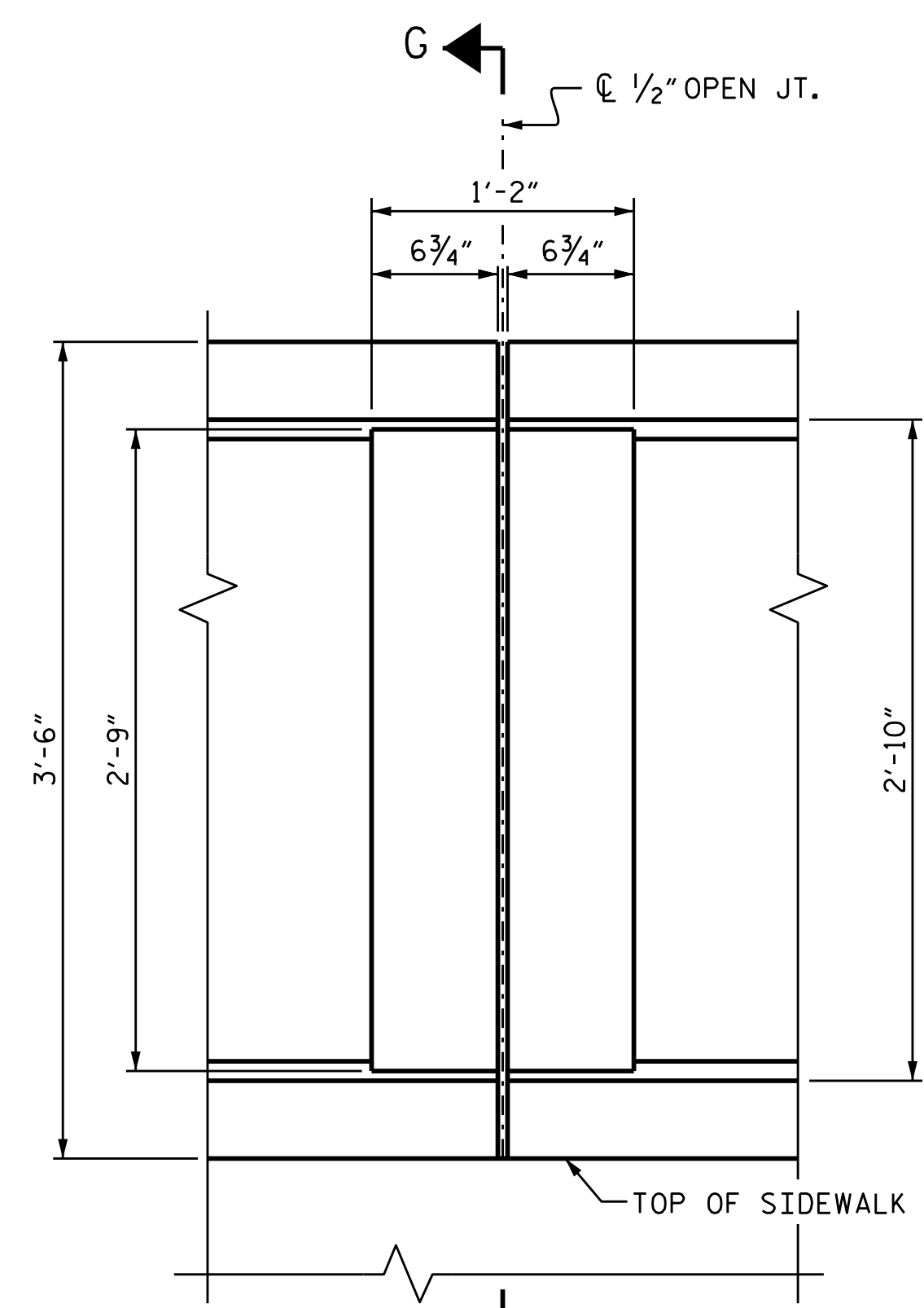
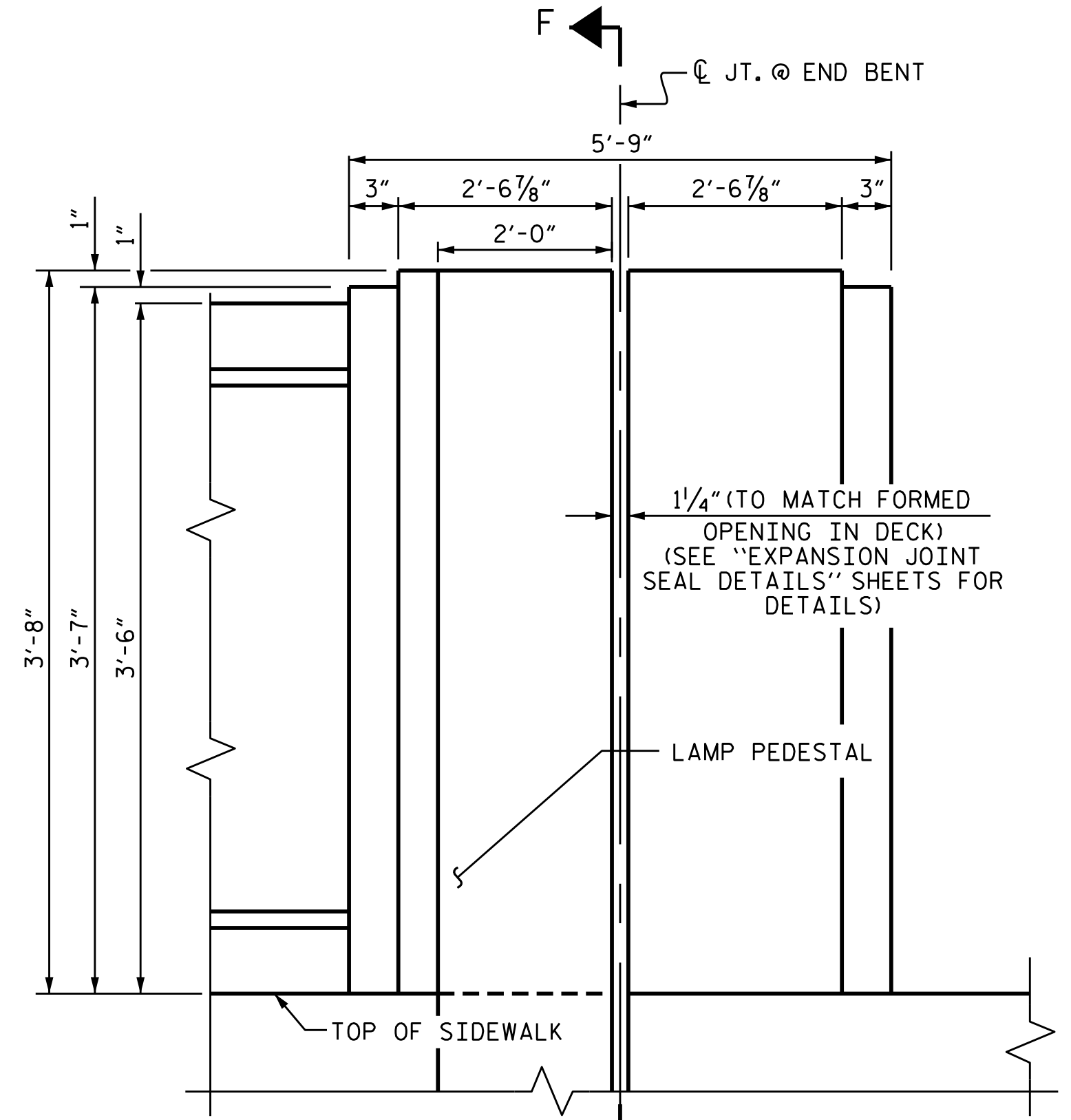


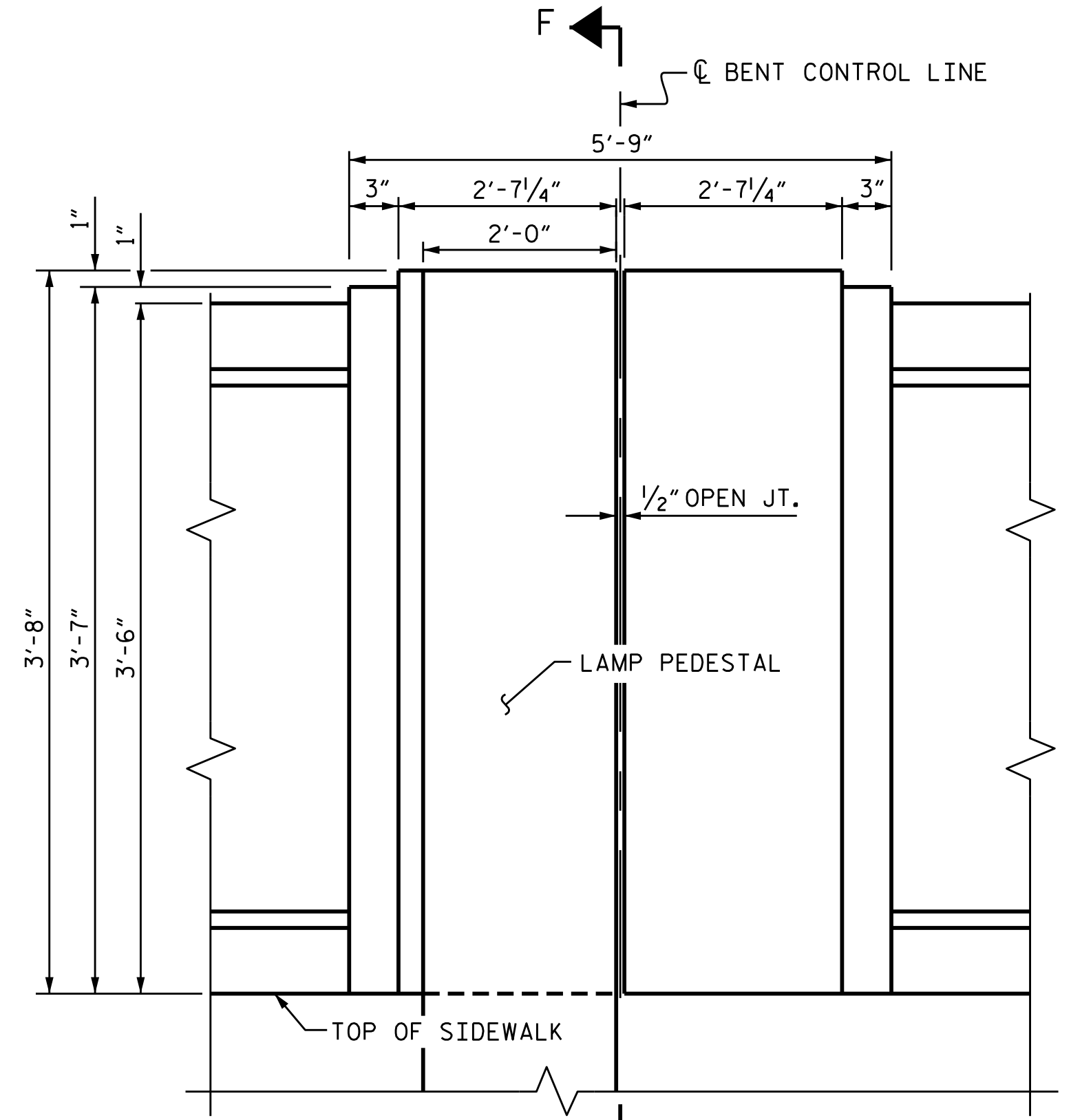
WINDOW DETAIL



SPAN PILASTER

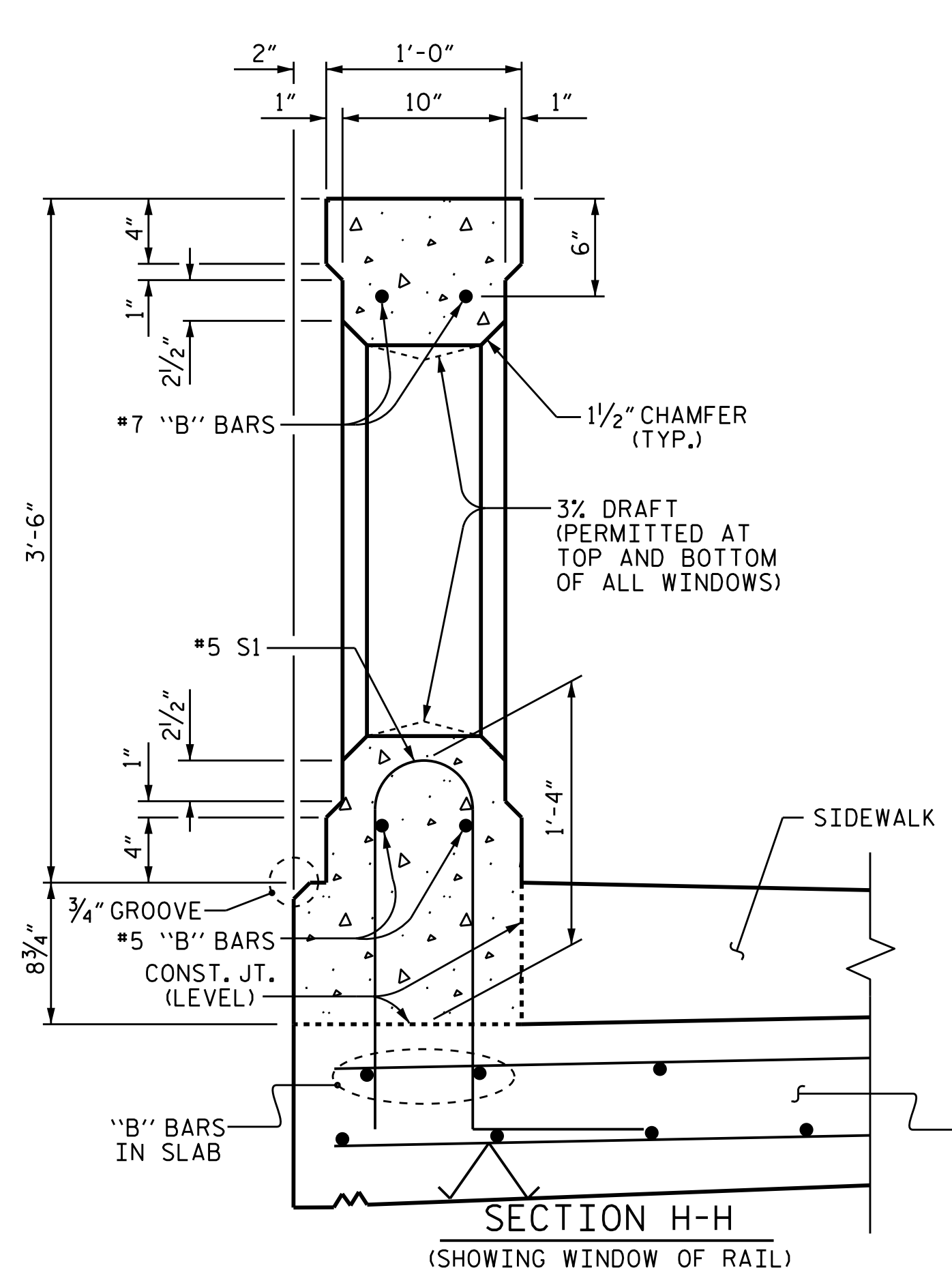


END BENT PILASTER
(END BENT 2 SHOWN)

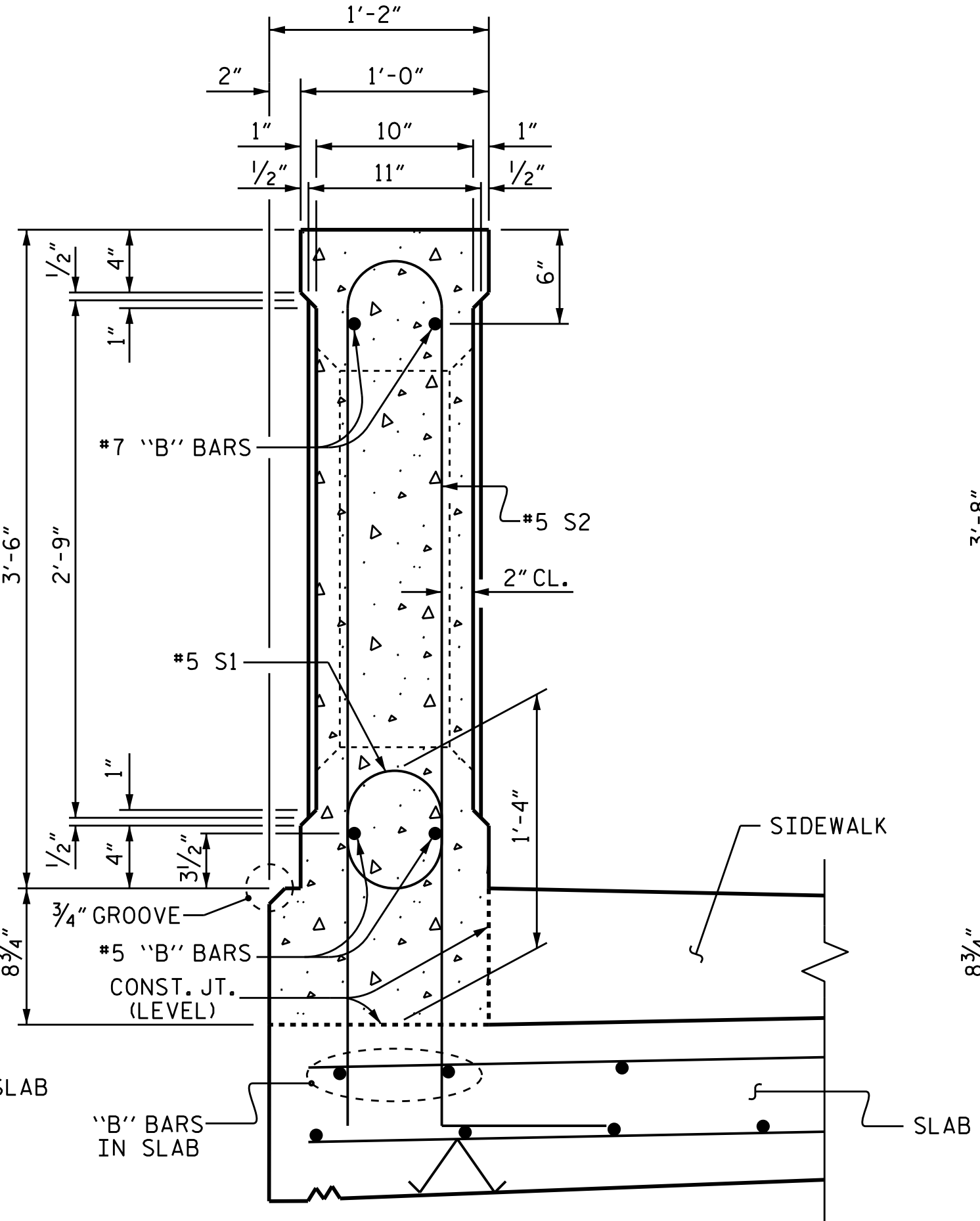


BENT PILASTER

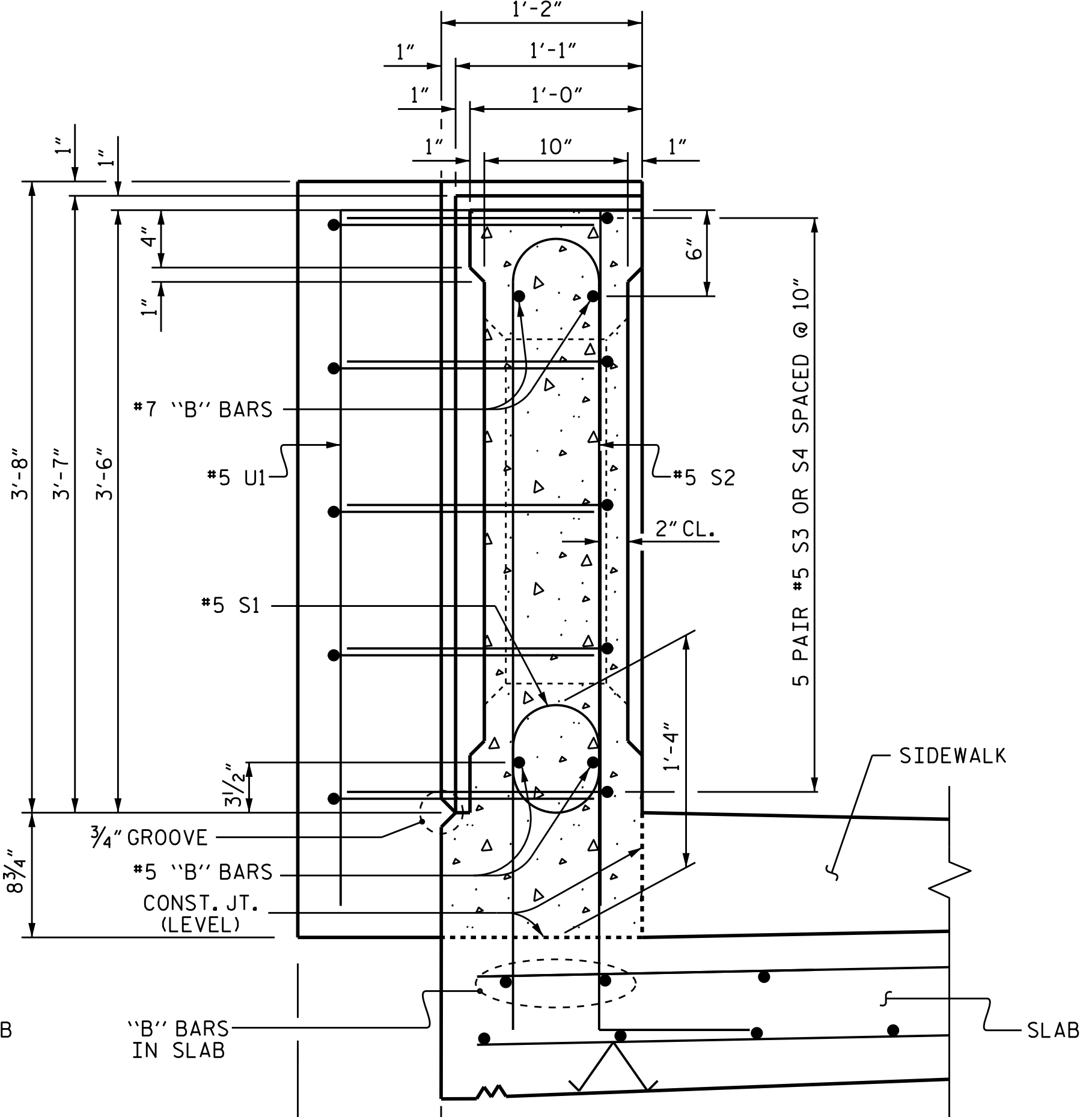
EXTERIOR PILASTER ELEVATIONS



SECTION H-H
(SHOWING WINDOW OF RAIL)



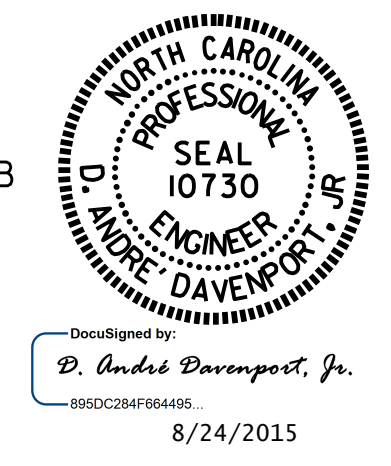
SECTION G-G
(SHOWING SPAN PILASTER)



SECTION F-F
(SHOWING BENT PILASTER & LAMP PEDESTAL)

PROJECT NO. B-3159
DAVIDSON COUNTY
 STATION: 13+41.72 -L-
 SHEET 2 OF 3

STATE OF NORTH CAROLINA DEPARTMENT OF TRANSPORTATION RALEIGH				SHEET NO. S-19	
SUPERSTRUCTURE CLASSIC CONCRETE BRIDGE RAIL WITH SIDEWALK				TOTAL SHEETS 43	
REVISIONS					
NO.	BY:	DATE:	NO.	BY:	DATE:
1			3		
2			4		



DRAWN BY : D.A. DAVENPORT DATE : 5/22/14
 CHECKED BY : J.D. HAWK DATE : 2/12/15
 DESIGN ENGINEER OF RECORD : D.A. DAVENPORT DATE : 4/27/15

24-AUG-2015 12:27
 R:\Structures\Plans\B3159.SD.BR_01.dgn
 dadavenport