

0.6" Ø LOW RELAXATION STRAND LAYOUT

- DEBOND STRAND 12'-0" FROM END OF GIRDER
- DEBOND STRAND 4'-0" FROM END OF GIRDER

0.6" Ø L. R. GRADE 270 STRANDS

AREA (SQUARE INCHES)	ULTIMATE STRENGTH (LBS. PER STRAND)	APPLIED PRESTRESS (LBS. PER STRAND)
0.217	58,600	43,950

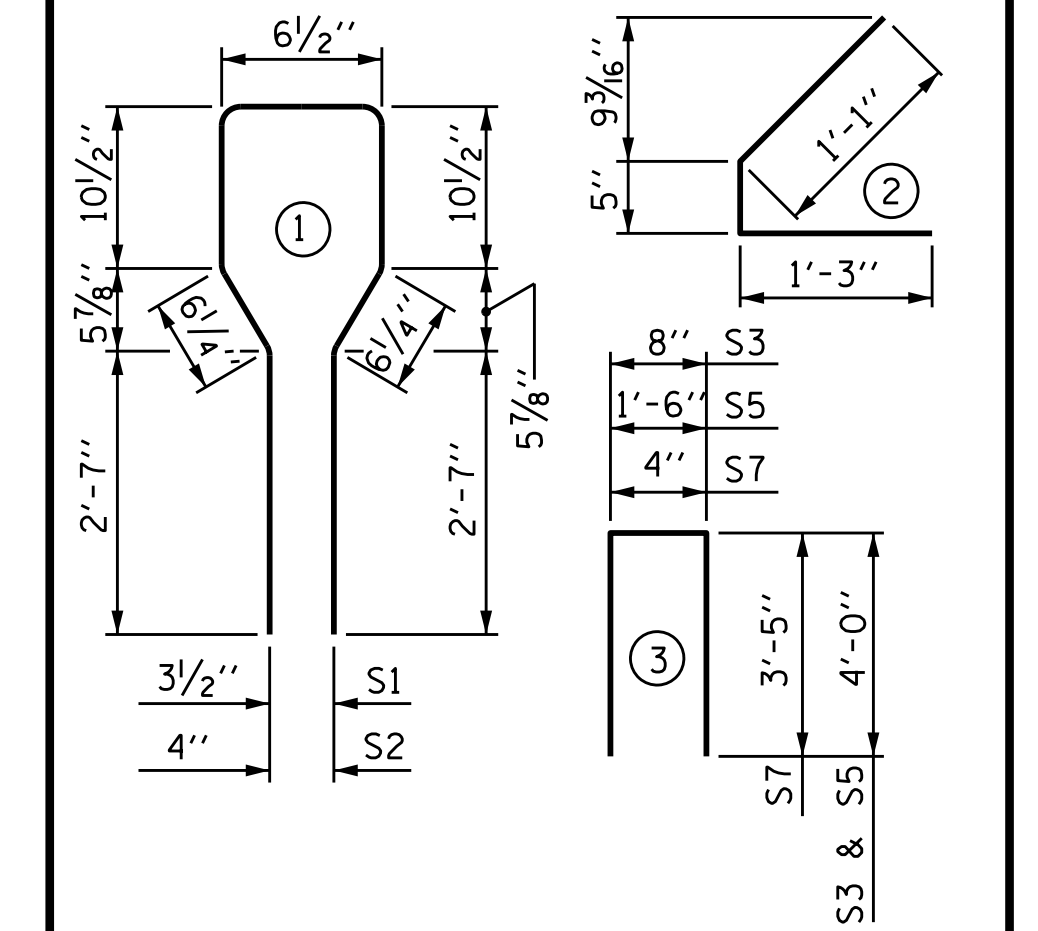
REINFORCING STEEL FOR ONE GIRDER

BAR	NUMBER	SIZE	TYPE	LENGTH	WEIGHT
S1	138	#4	1	8'-6"	784
S2	12	#6	1	8'-6"	153
S3	4	#4	3	8'-8"	23
S4	72	#4	2	2'-9"	132
S5	1	#4	3	9'-6"	6
*S6	4	#5	STR	3'-8"	15
S7	2	#5	3	7'-2"	15
S8	5	#4	STR	7'-0"	23

*NOTE: S6 BARS SHALL BE BENT BEFORE SHIPMENT. HEAT BENDING SHALL NOT BE ALLOWED.

BAR TYPES

ALL BAR DIMENSIONS ARE OUT-TO-OUT.

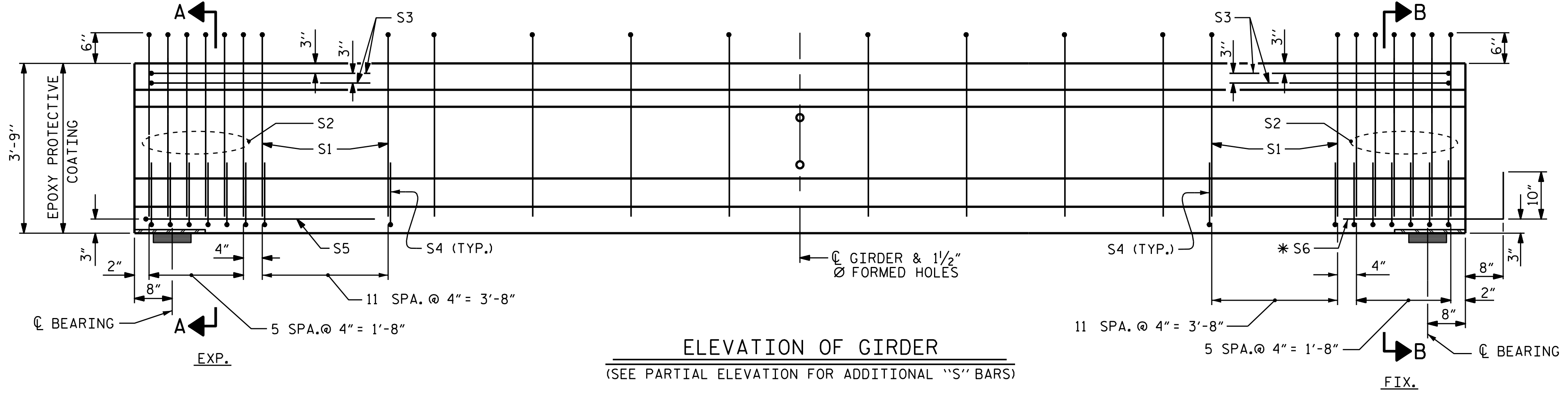
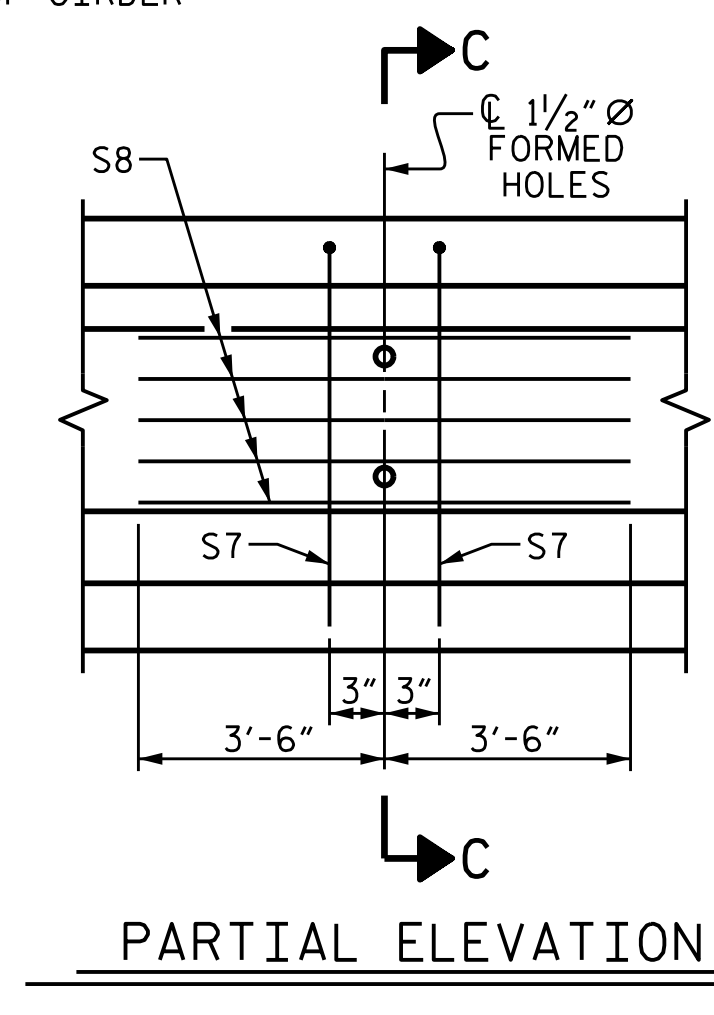
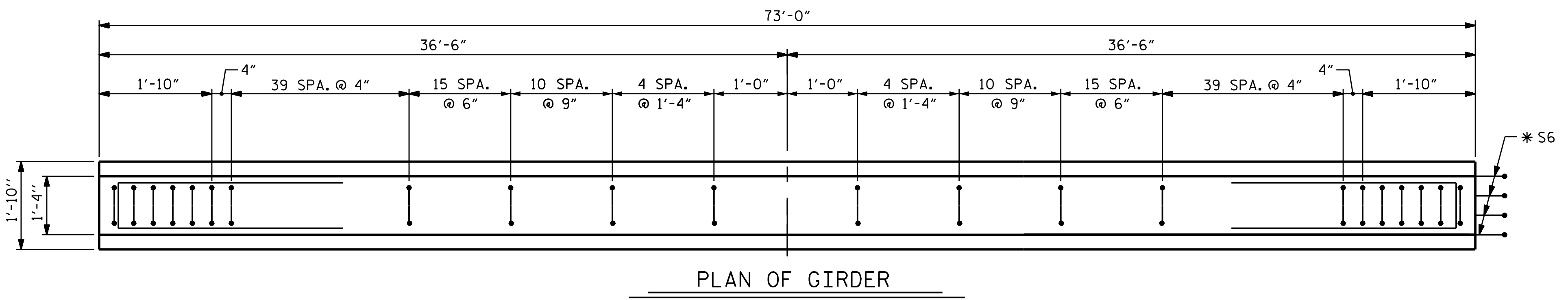


QUANTITIES FOR ONE GIRDER

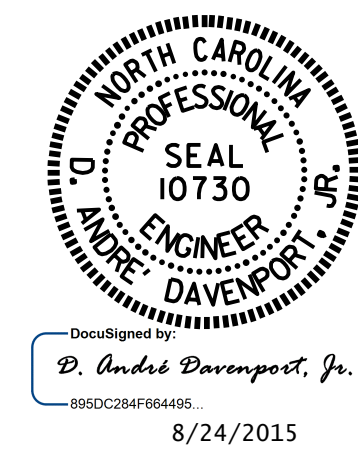
REINFORCING STEEL	8,000 PSI CONCRETE	0.6" Ø L.R. STRANDS
LBS.	C.Y.	No.
1,151	10.5	34

GIRDERS REQUIRED

NUMBER	LENGTH	TOTAL LENGTH
24	73'-0"	1752'-0"



ASSEMBLED BY : M.K. BEARD	DATE : 8/13/14
CHECKED BY : J.D. HAWK	DATE : 2/12/15
DRAWN BY : ELR 8/91	REV. 5/1/06R TLA/GM
CHECKED BY : GRP 8/91	REV. 10/1/11 MAA/GM
	REV. 1/15 MAA/TMG
DESIGN ENGINEER OF RECORD: H.A. LOCKLEAR DATE : 7/14/15	



PROJECT NO. B-3159
 DAVIDSON COUNTY
 STATION: 13+41.72 -L-
 SHEET 1 OF 2

STATE OF NORTH CAROLINA DEPARTMENT OF TRANSPORTATION RALEIGH					
STANDARD AASHTO TYPE III PRESTRESSED CONCRETE GIRDER CONTINUOUS FOR LIVE LOAD SPANS A & B					
REVISIONS					SHEET NO.
NO.	BY:	DATE:	NO.	BY:	DATE:
1			3		
2			4		
					TOTAL SHEETS 43