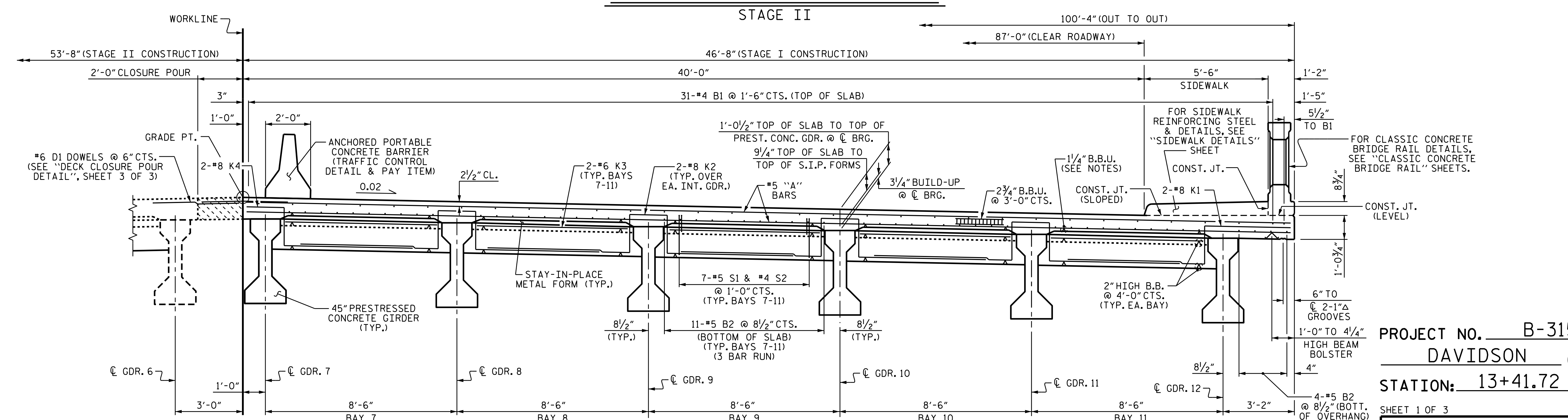


TYPICAL SECTION @ END BENT
STAGE II



TYPICAL SECTION @ END BENT
STAGE I

PROJECT NO. B-3159
DAVIDSON COUNTY
 STATION: 13+41.72 -L-
 SHEET 1 OF 3



DRAWN BY : M.K. BEARD DATE : 8/1/14
 CHECKED BY : J.D. HAWK DATE : 2/12/15
 DESIGN ENGINEER OF RECORD : R.L. CHESSON DATE : 6/10/15

24-AUG-2015 12:27
 R:\Structures\Plans\B3159.SD.TS.01.dgn
 dadavenport

STATE OF NORTH CAROLINA DEPARTMENT OF TRANSPORTATION RALEIGH					
SUPERSTRUCTURE					
TYPICAL SECTION AT END BENTS					
REVISIONS					SHEET NO.
NO.	BY:	DATE:	NO.	BY:	DATE:
1			3		
2			4		
					S-6
					TOTAL SHEETS 43