

STATE OF NORTH CAROLINA
DEPT. OF TRANSPORTATION
DIVISION OF HIGHWAYS
RALEIGH, N.C.

ENGLISH DETAIL DRAWING FOR
PEDESTRIAN PUSHBUTTON LOCATIONS
PLACEMENT DETAIL

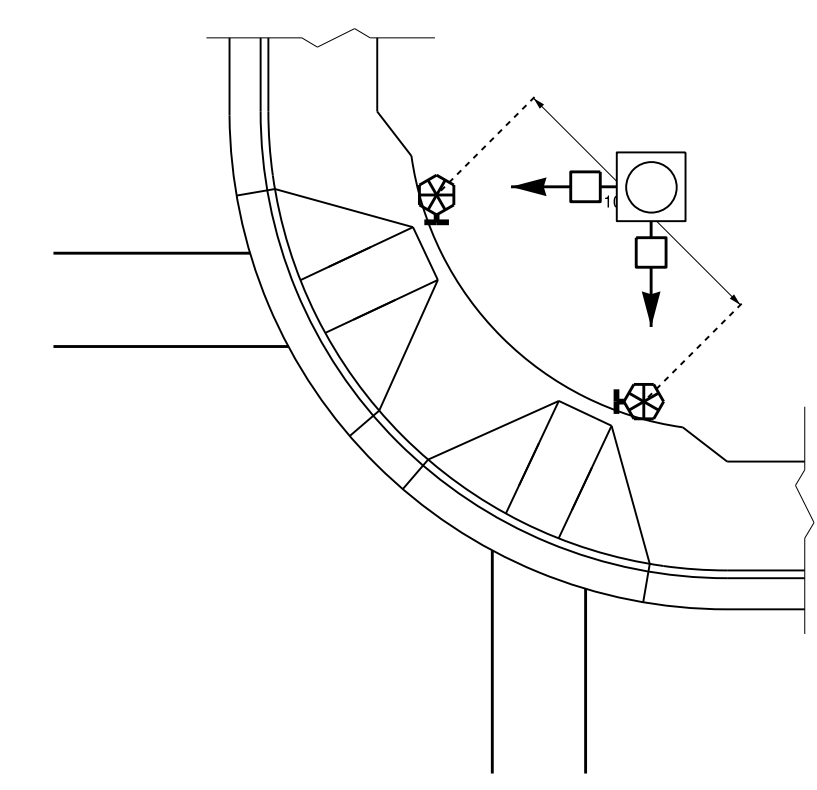
SHEET 2 OF 3
1705D01

STATE OF NORTH CAROLINA
DEPT. OF TRANSPORTATION
DIVISION OF HIGHWAYS
RALEIGH, N.C.

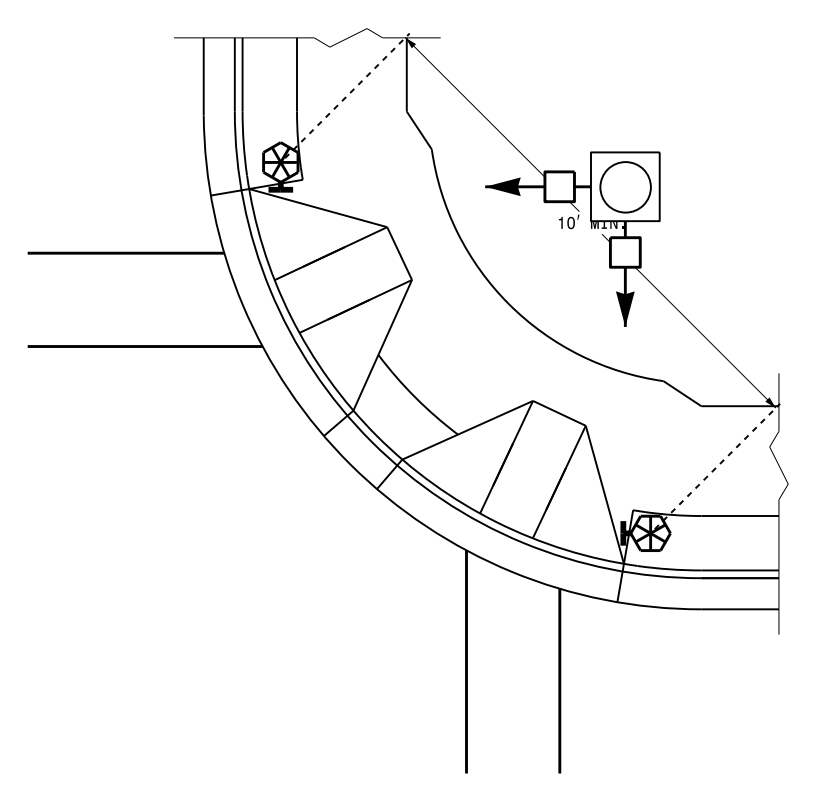
ENGLISH DETAIL DRAWING FOR
PEDESTRIAN PUSHBUTTON LOCATIONS
PLACEMENT DETAIL

SHEET 2 OF 3
1705D01

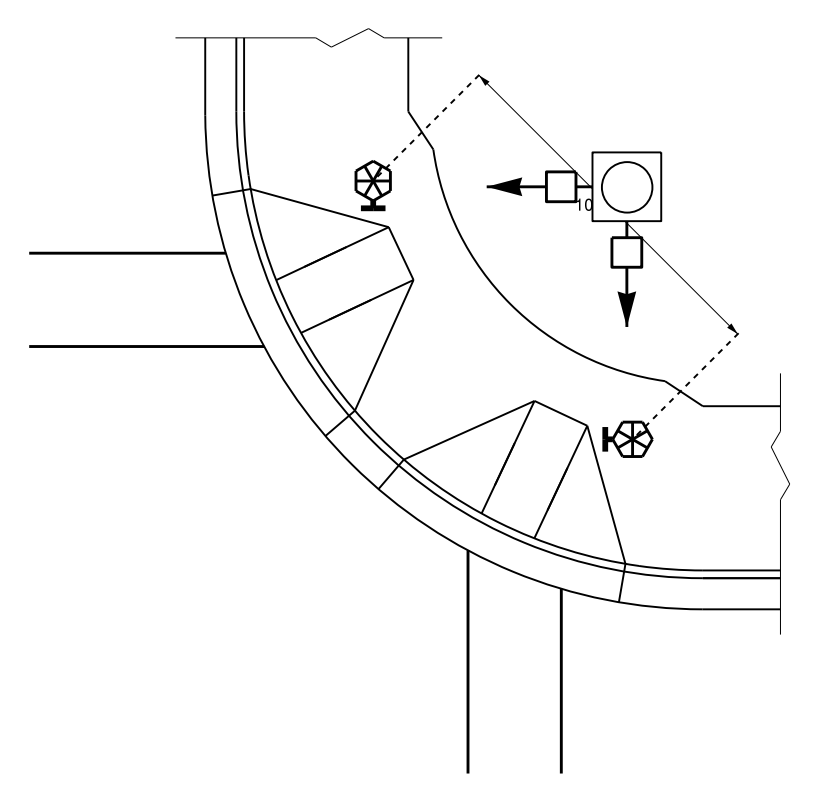
TYPICAL PUSHBUTTON LOCATIONS (CASE I)
SEPARATE CURB RAMPS W/ TYPE I PEDESTALS



BACK OF SIDEWALK IS WITHIN 10' OF CURB OR PAVEMENT/SHOULDER

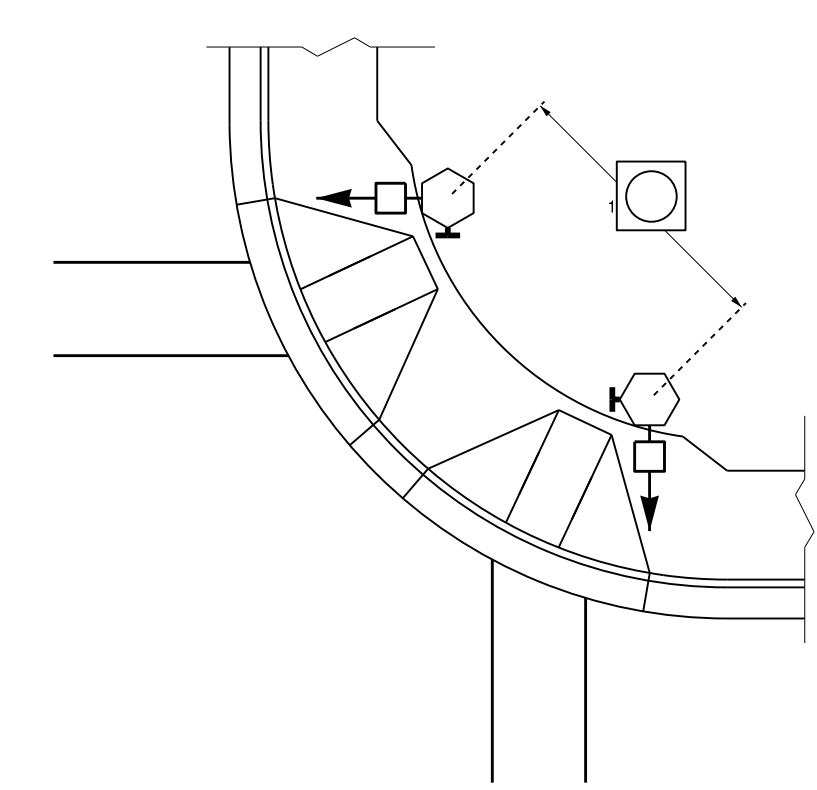


GRASS STRIP PLACEMENT IF BACK OF SIDEWALK EXCEEDS 10' FROM CURB OR PAVEMENT/SHOULDER

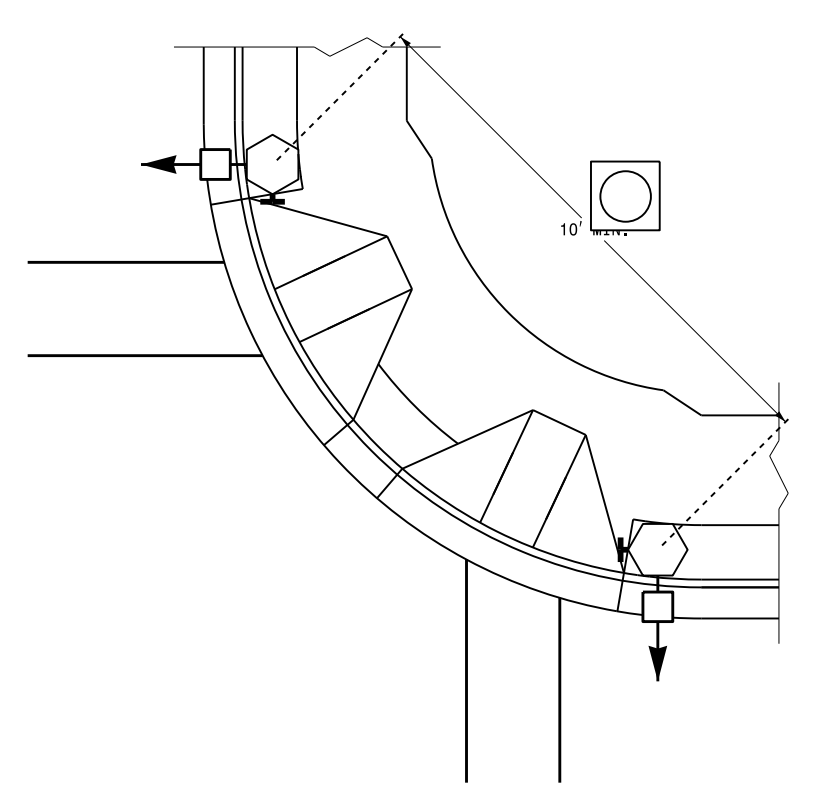


PUSHBUTTON PLACEMENT IN WIDE SIDEWALK

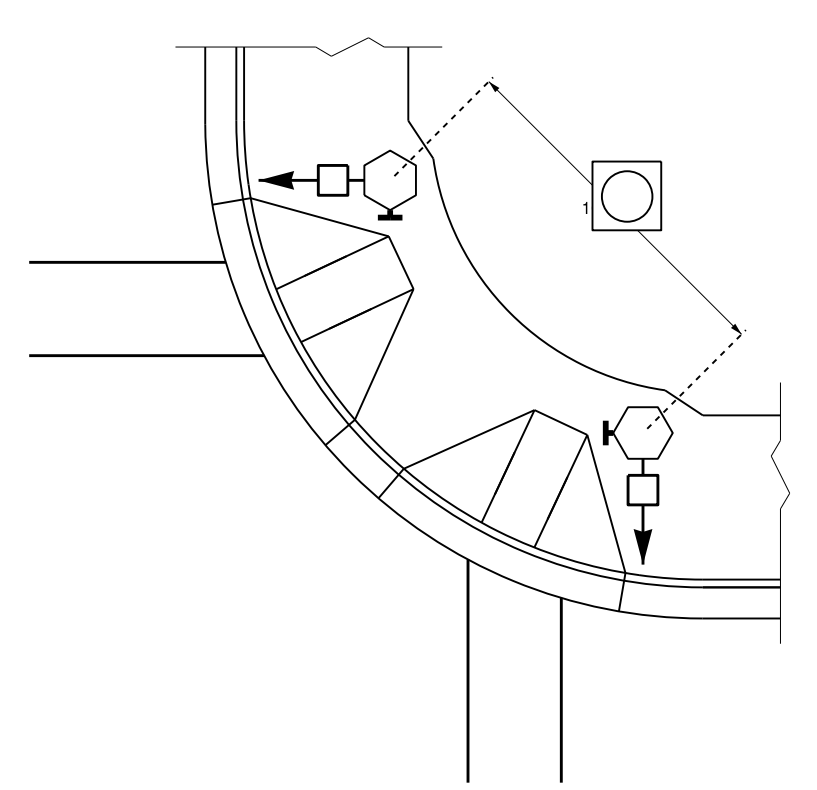
TYPICAL PUSHBUTTON LOCATIONS (CASE II)
SEPARATE CURB RAMPS W/ TYPE II PEDESTALS



BACK OF SIDEWALK IS WITHIN 10' OF CURB OR PAVEMENT/SHOULDER



GRASS STRIP PLACEMENT IF BACK OF SIDEWALK EXCEEDS 10' FROM CURB OR PAVEMENT/SHOULDER

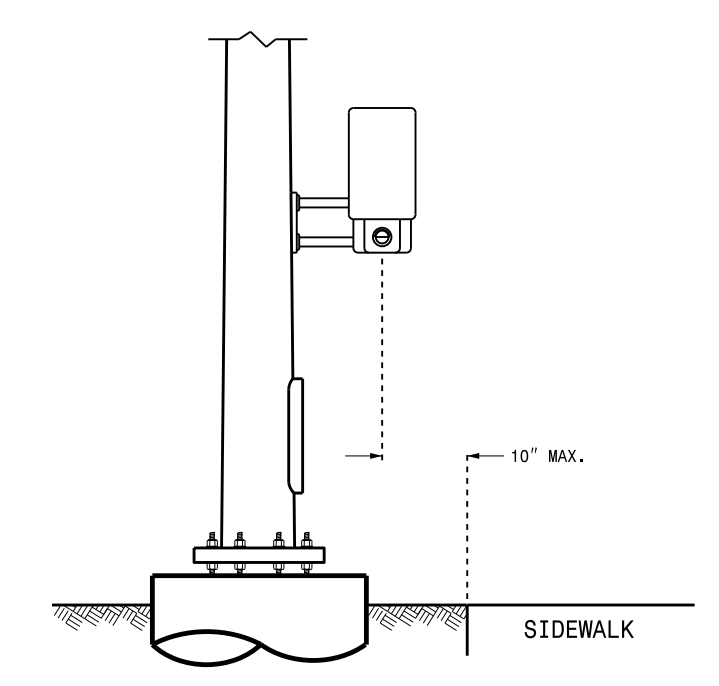


PUSHBUTTON PLACEMENT IN WIDE SIDEWALK

PROPOSED

- Signal Pole
- Type I Pushbutton Post
- Type II Signal Pedestal
- Pushbutton & Sign
- Pedestrian Signal Head
- Curb Ramp
- Pushbutton Location Area

OPTIONAL PUSHBUTTON EXTENSION
FACE OF PUSHBUTTON PARALLEL TO APPLICABLE CROSSWALK



C:\Users\rjz1emba\OneDrive\Signal Design\Section\Central Region\Rob's Files\Red State\Pushbutton Drawings\20140617.dgn
 S:\ITS\ASU\ITS_Signal\Signal Design\Section\Central Region\Rob's Files\Red State\Pushbutton Drawings\20140617.dgn
 rjz1emba

See Plate for Title

Prepared in the Offices of:

750 N. Greenfield Parkway
Garner, NC 27529

SEAL

DocuSigned by:
Robert J. Ziemba
188B486274464

SIGNATURE DATE

6/17/2014