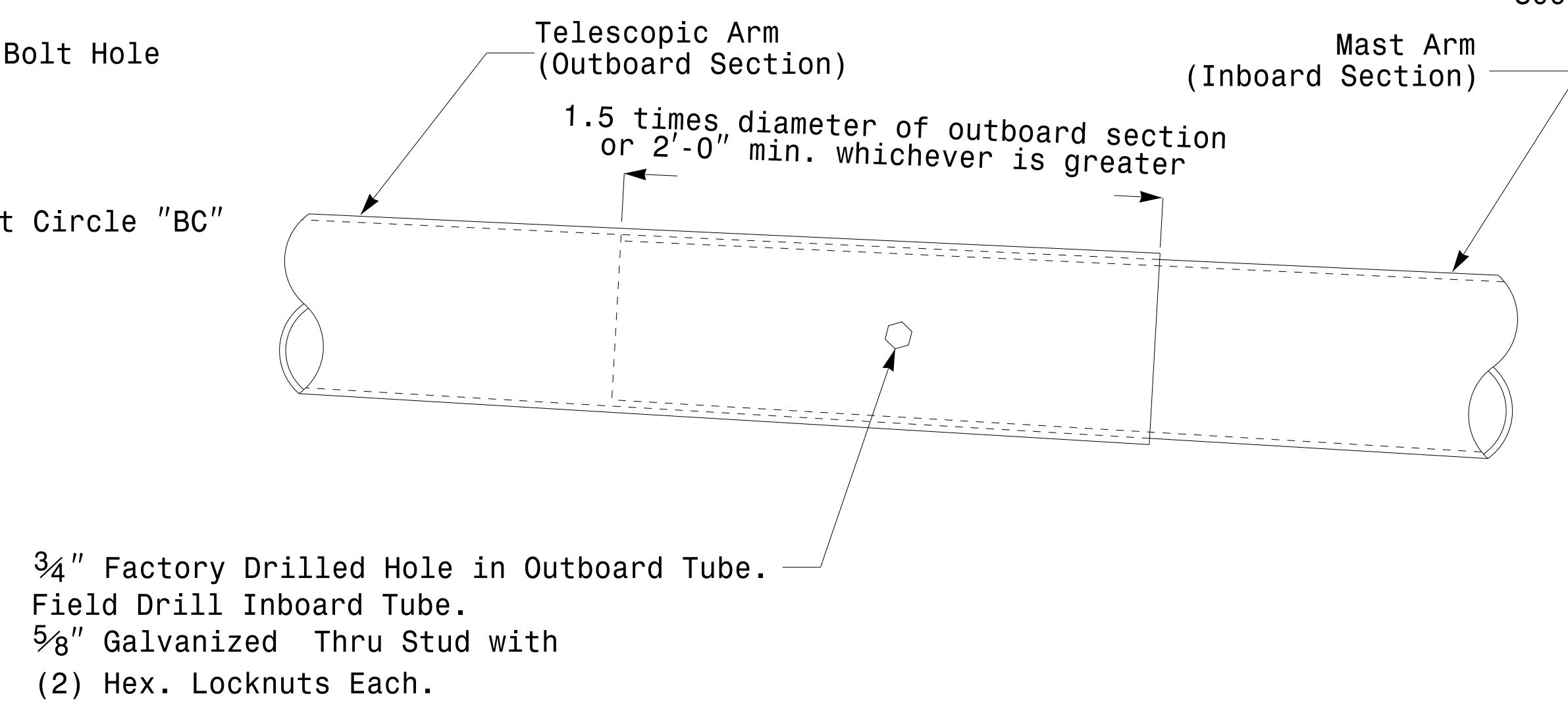
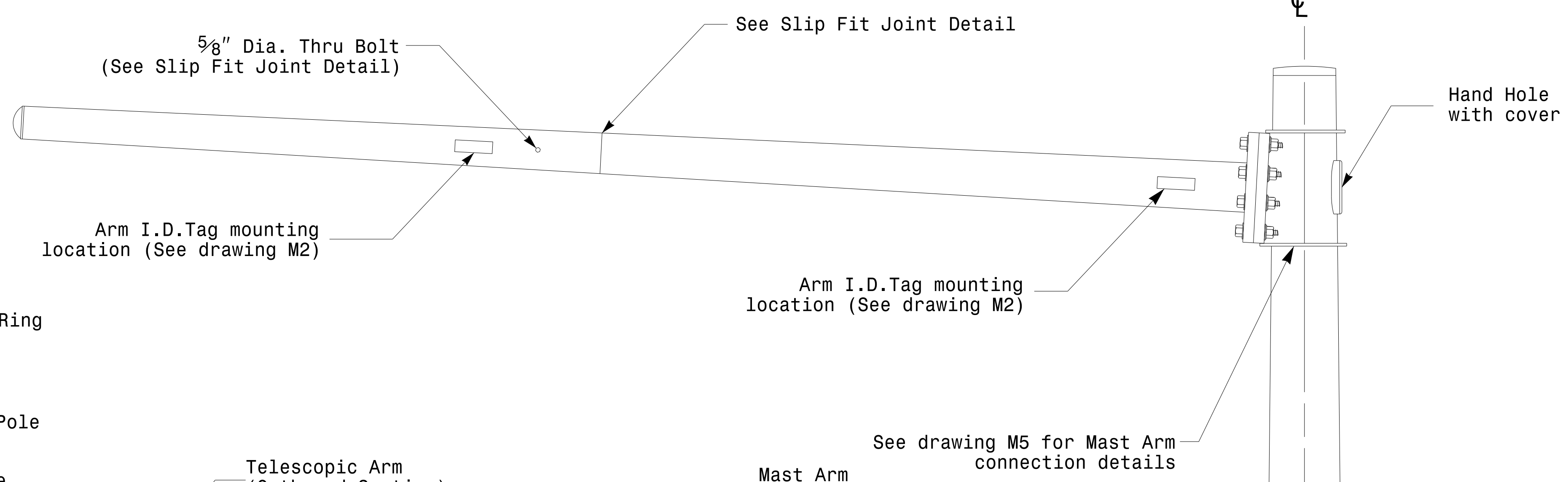
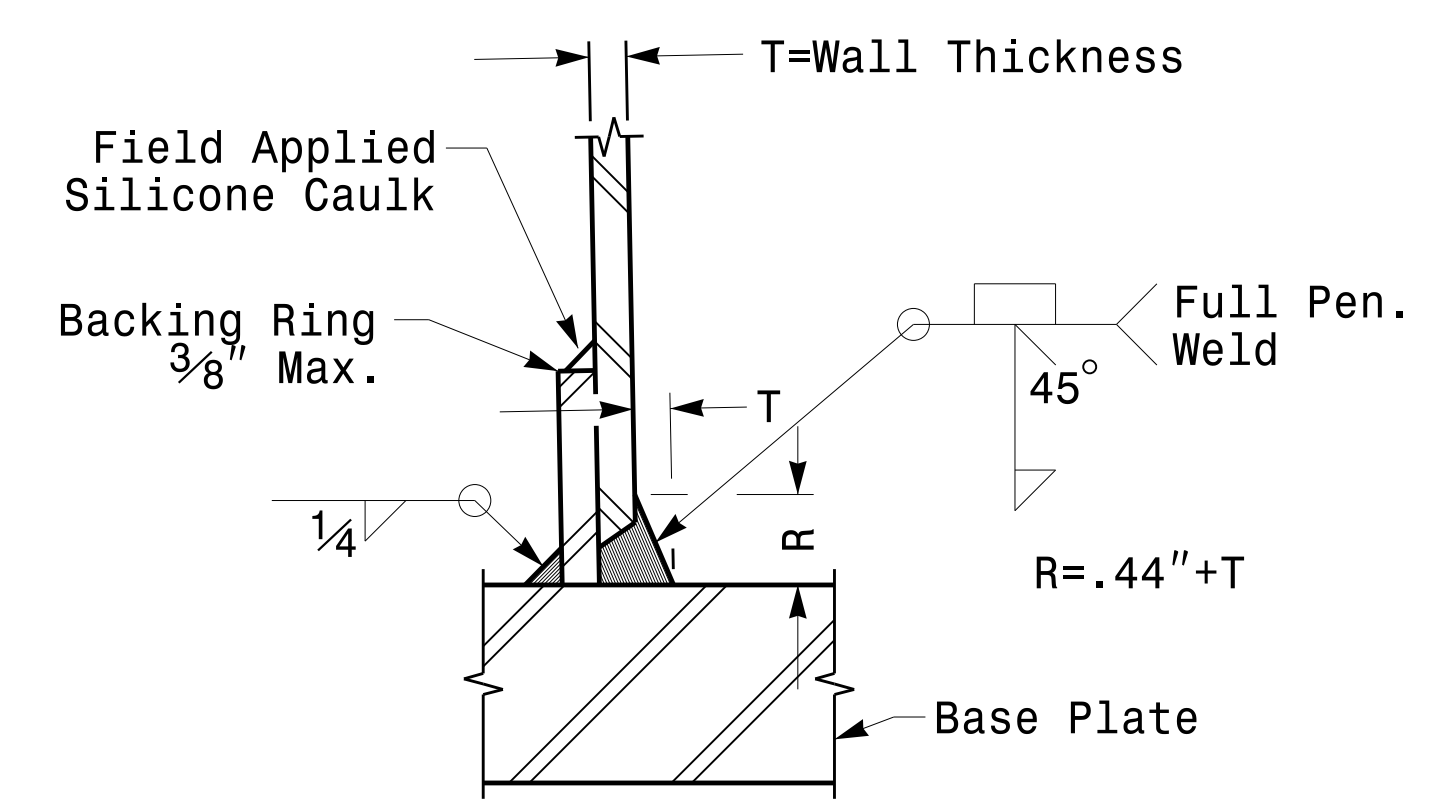


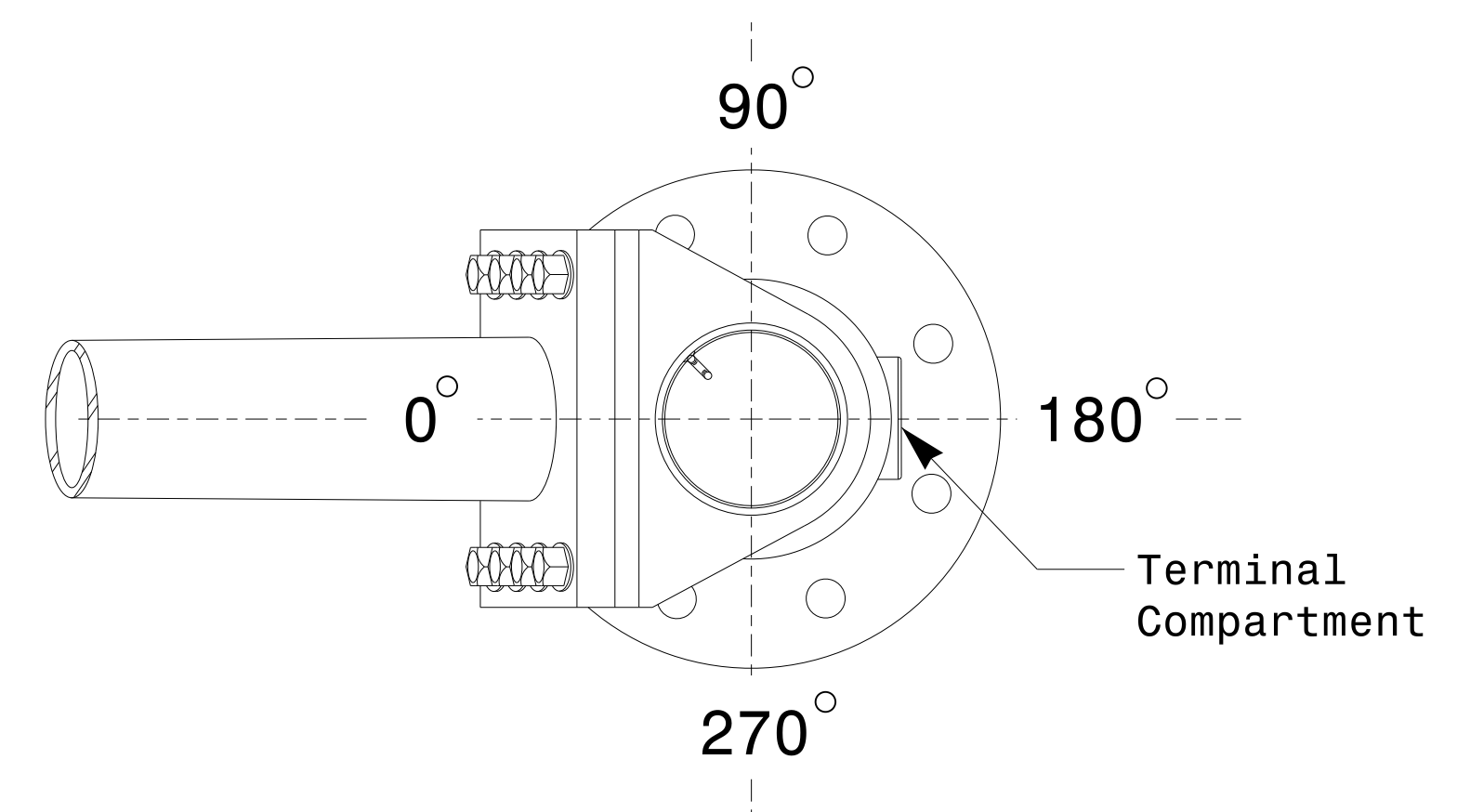
Section A-A
(See drawing M 2)
Pole Base Plate



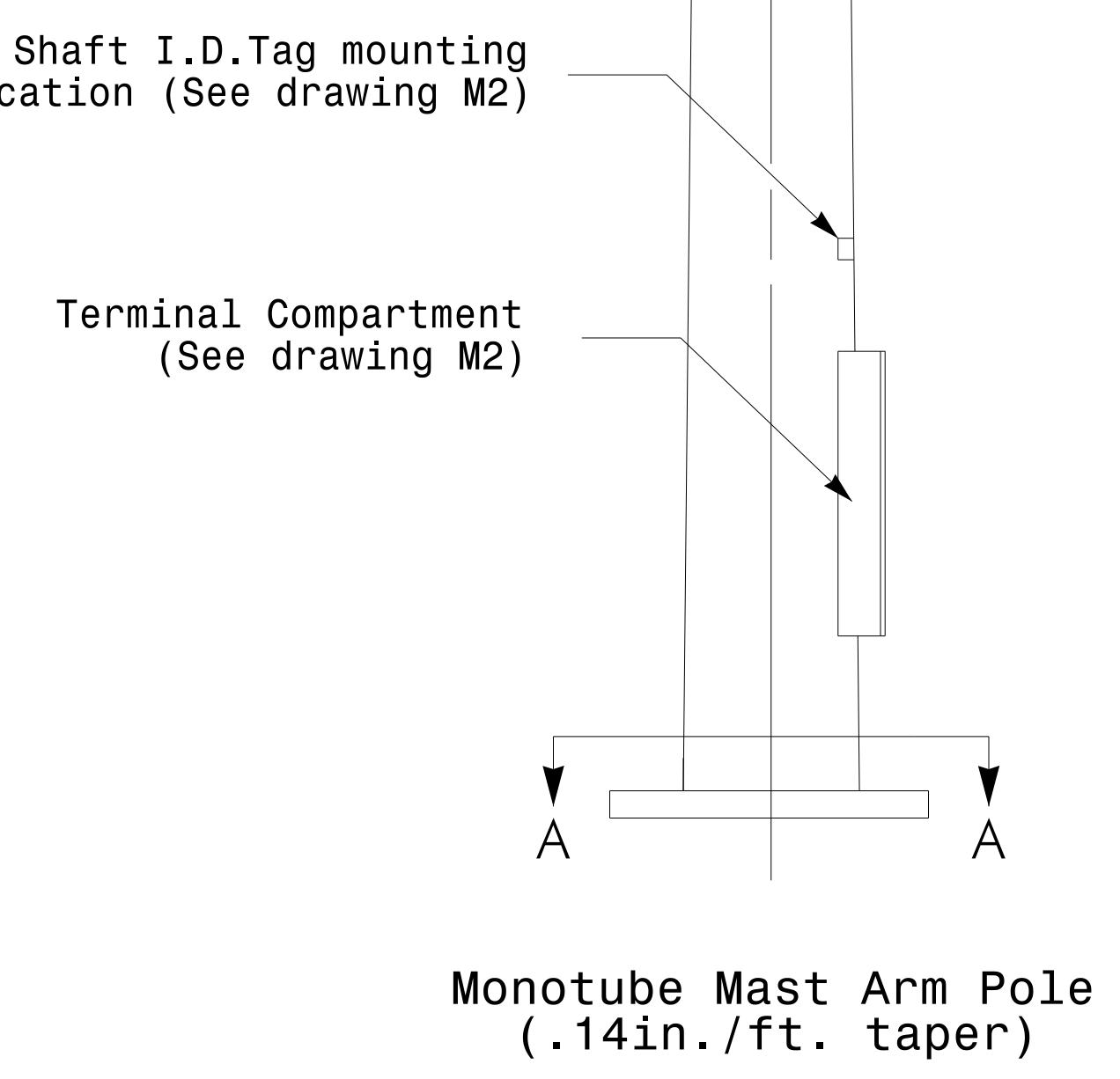
Slip Fit Joint Detail for Mast Arm



Section B-B
(Pole Attachment to Base Plate)
Full-Penetration Groove Weld Detail



Mast Arm Radial Orientation



Monotube Mast Arm Pole
(.14in./ft. taper)

Fabrication Details – Mast Arm Poles

26-AUG-2014 08:50 S:\TDS\115\SIGNAL\Signal Design\Section\Eastern Region\M\ Sheets\2012_M4_Fab_Details\MastArms.dgn T:\jll\jll

<p>750 N. Greenfield Pkwy, Garner, NC 27529</p>	<p>Typical Fabrication Details for Mast Arm Poles</p>		
	<p>PLAN DATE: AUGUST 2013</p>	<p>DESIGNED BY: C.F. ANDREWS</p>	
<p>SCALE: NONE</p>	<p>PREPARED BY: N. BITTING</p>	<p>REVIEWED BY: D.C. SARKAR</p>	<p>SIG. INVENTORY NO.</p>