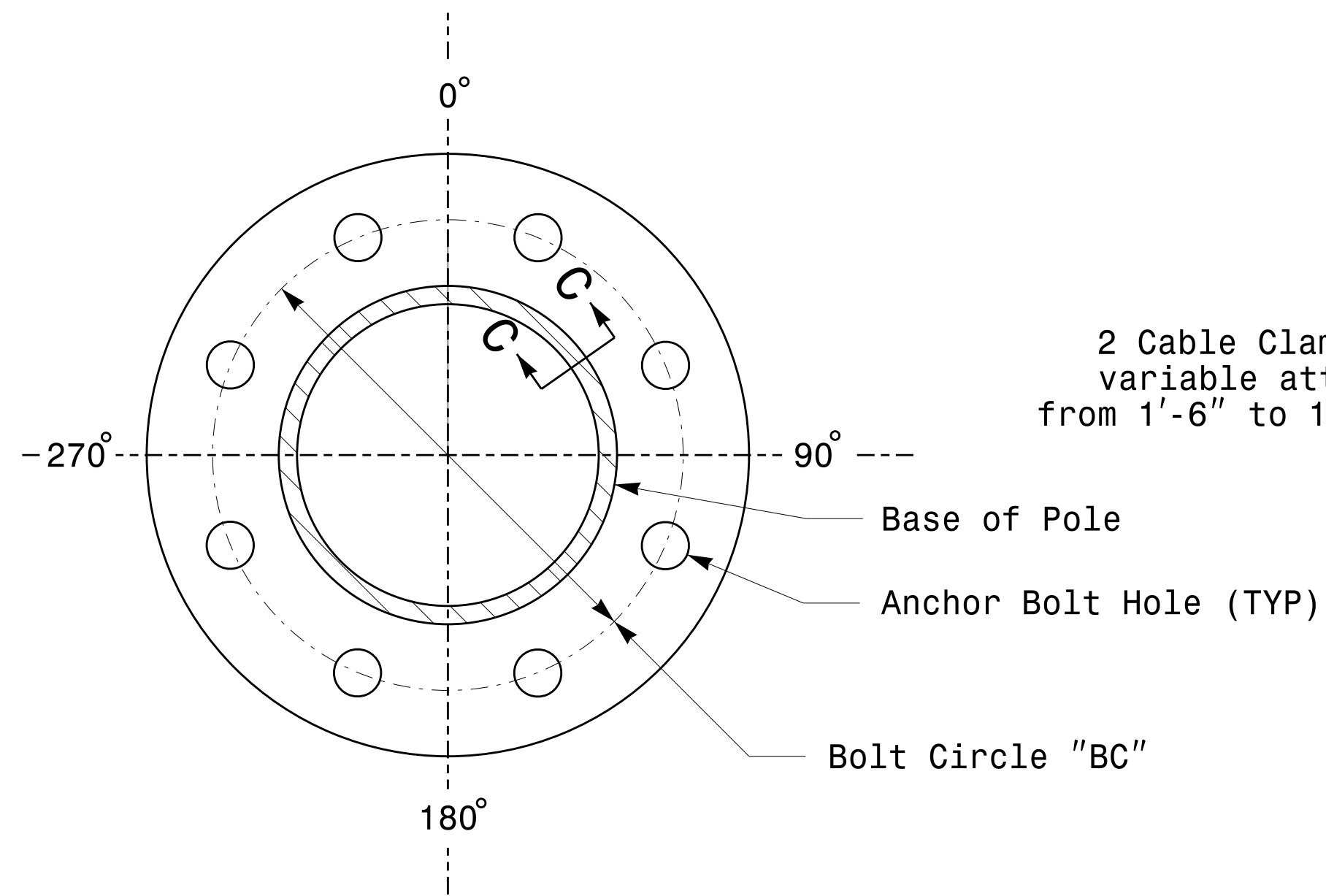
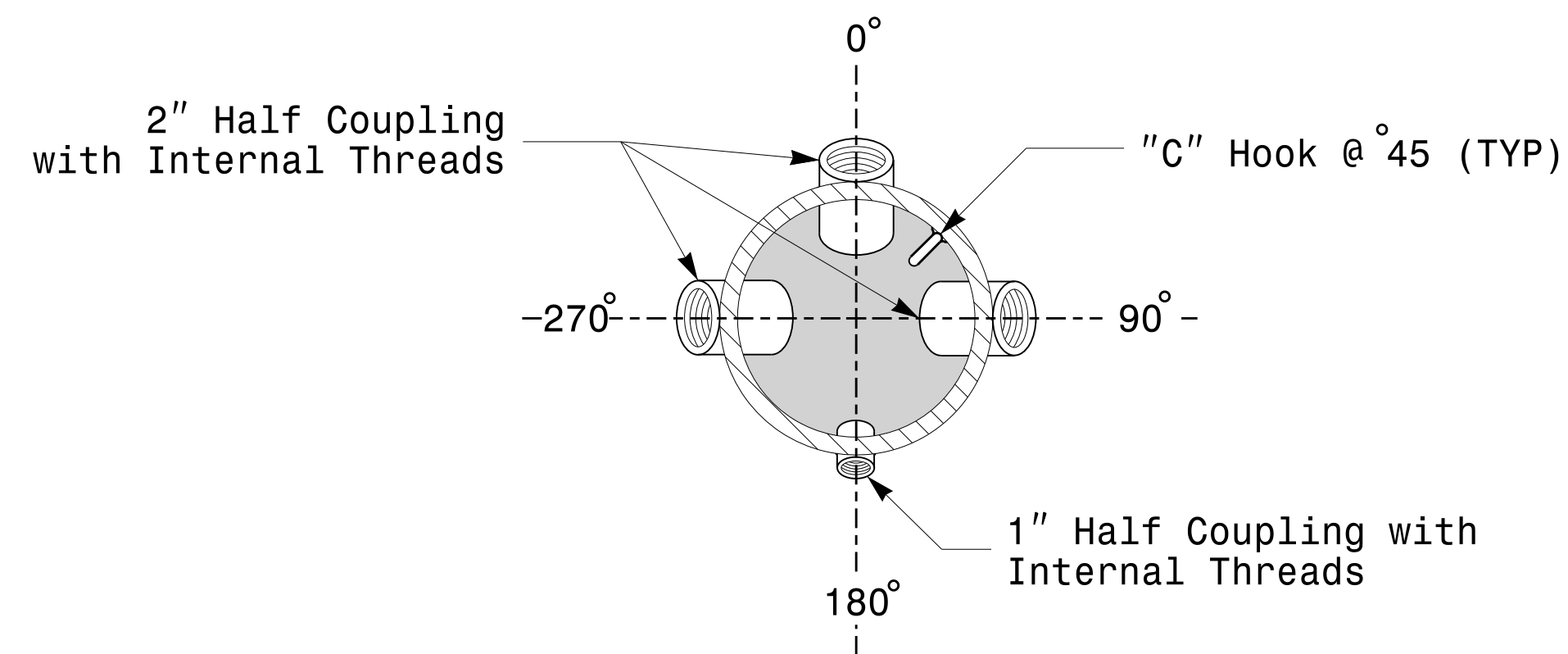


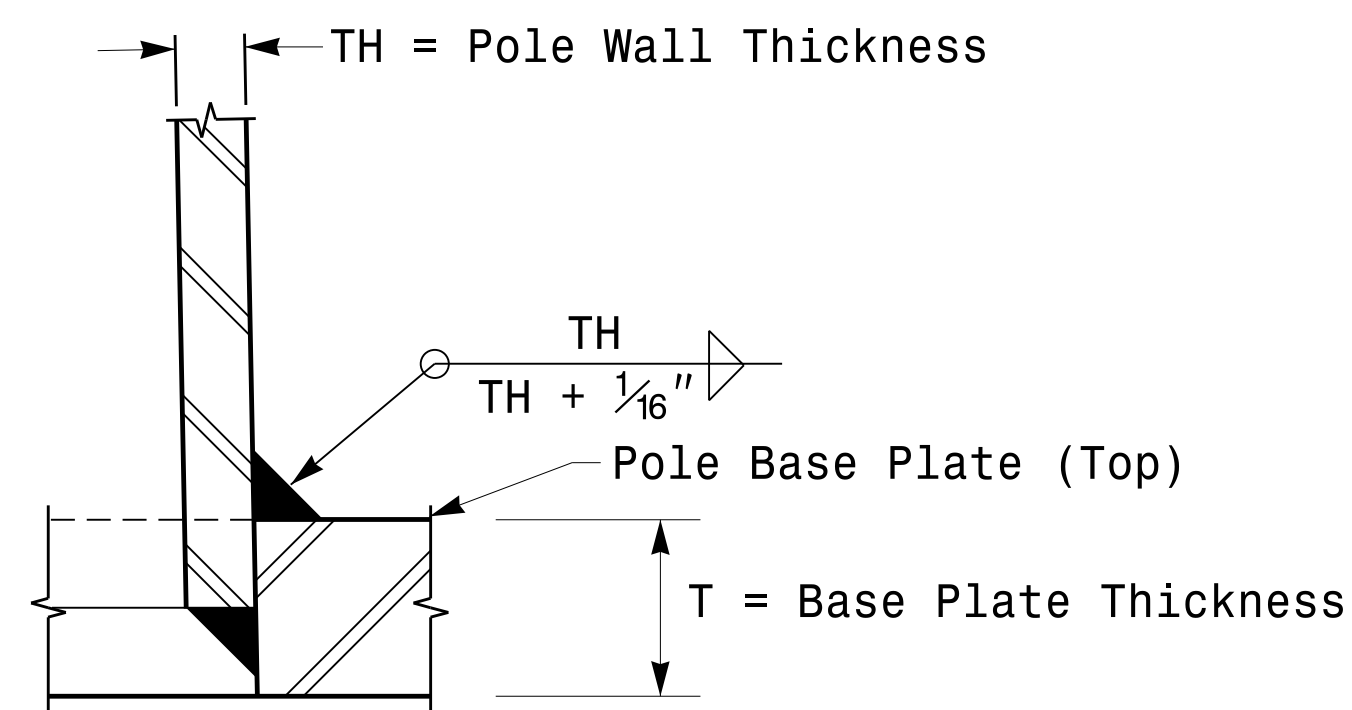
Cable Entrances at Top of Pole



Section B-B Pole Base Plate  
(See drawing M2)

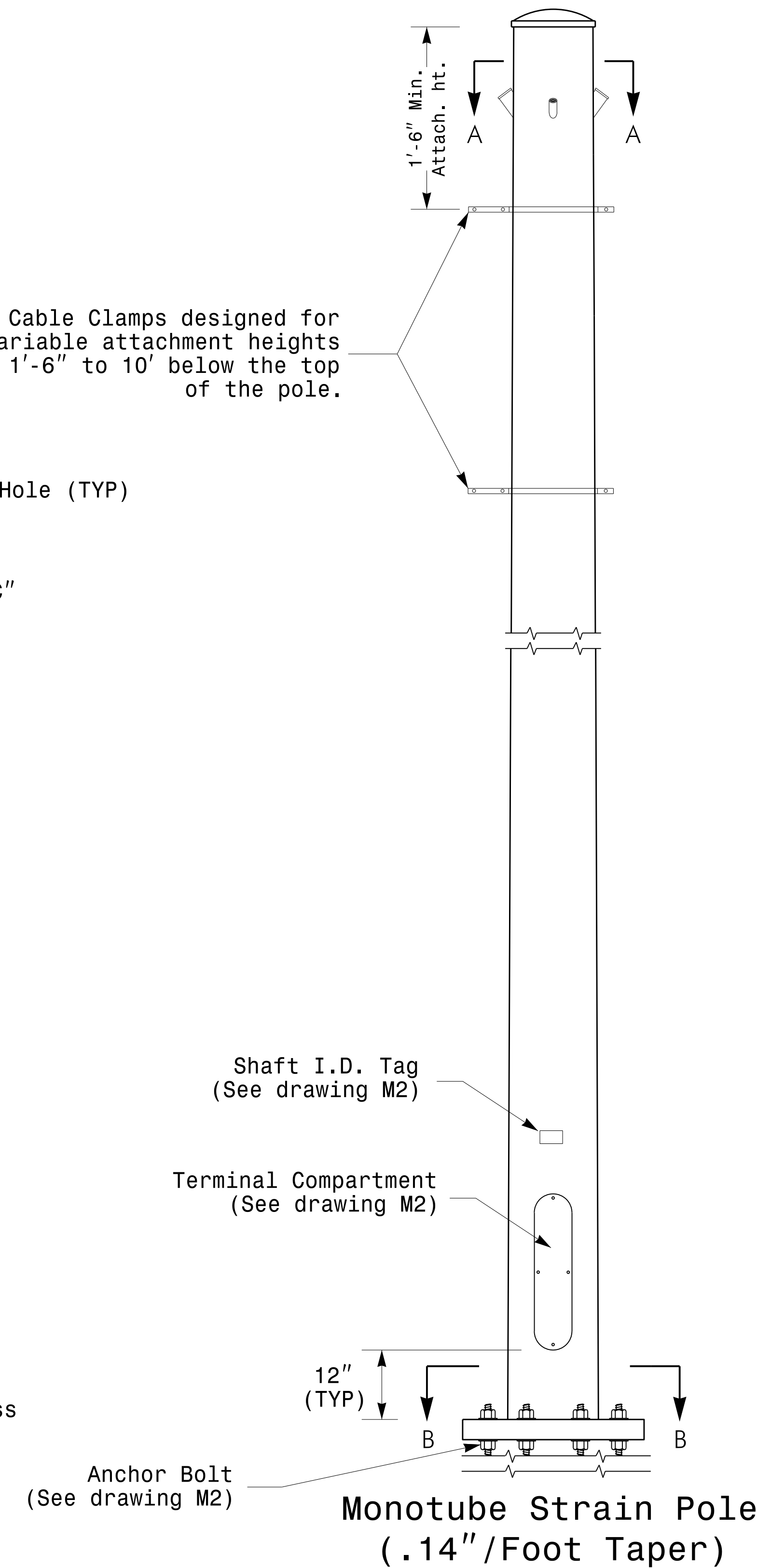


Section A-A Radial Orientation for Factory Installed Accessories at Top of Pole



Section C-C Socket Connection Weld Detail

2 Cable Clamps designed for variable attachment heights from 1'-6" to 10' below the top of the pole.



<p>750 N. Greenfield Pkwy, Garner, NC 27529</p>	<p>Typical Fabrication Details For Strain Poles</p>		
	<p>PLAN DATE: AUGUST 2013</p> <p>PREPARED BY: N. BITTING</p>	<p>DESIGNED BY: C.F. ANDREWS</p> <p>REVIEWED BY: D.C. SARKAR</p>	
<p>SCALE: 0 NA NONE</p>	<p>REVISIONS</p>	<p>INIT. DATE</p>	<p>SIG. INVENTORY NO.</p>

Fabrication Details – Strain Poles

26-AUG-2014 09:51 S:\TCS\Signal Design Section\Eastern Region\MM Sheets\2012\_M3\_Fab\_Details\_Strain\_Poles.dgn Topilowoy