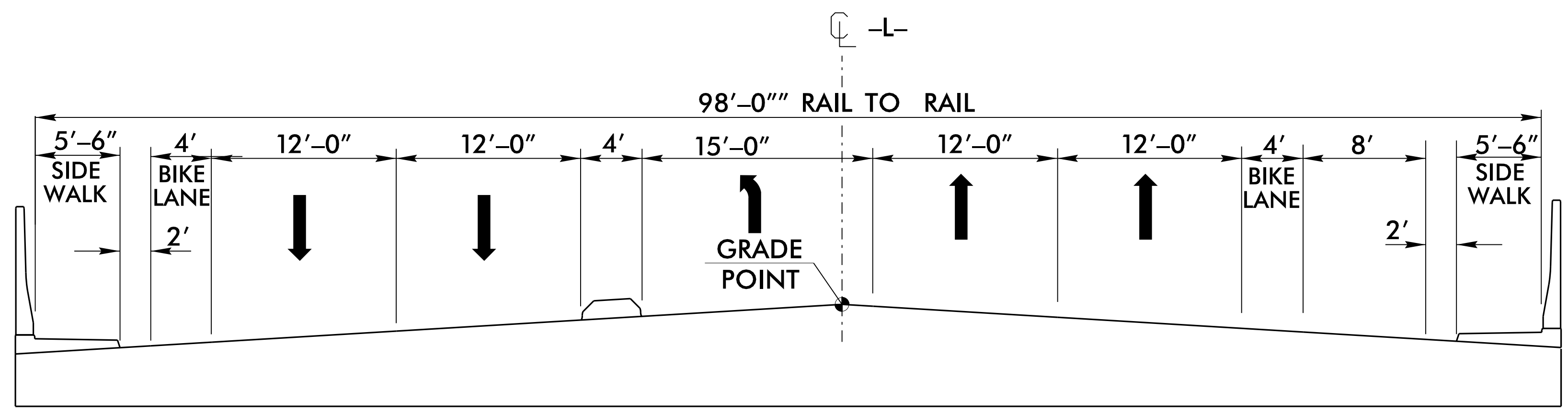
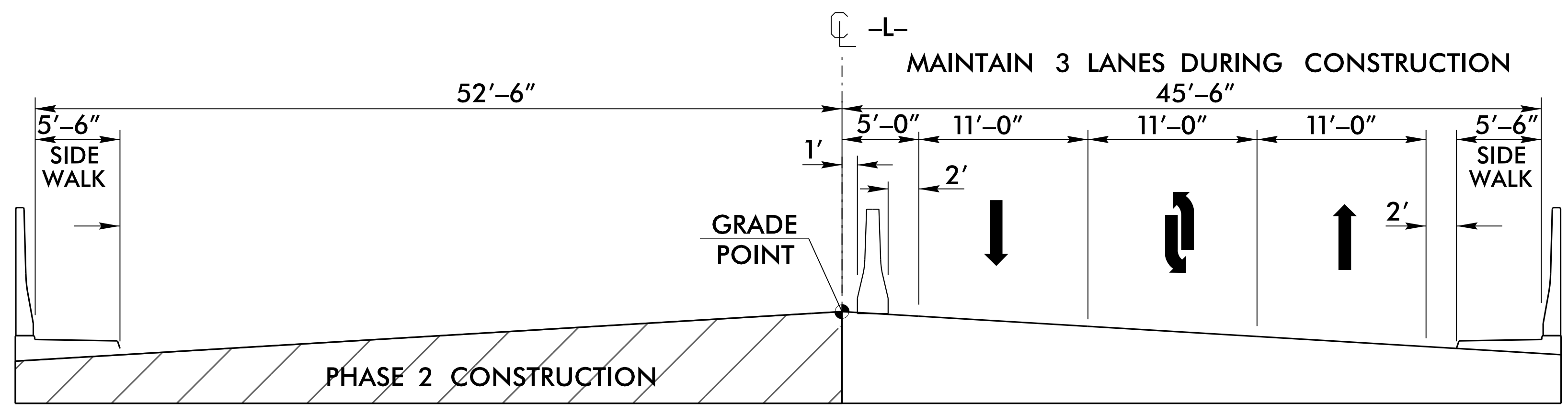
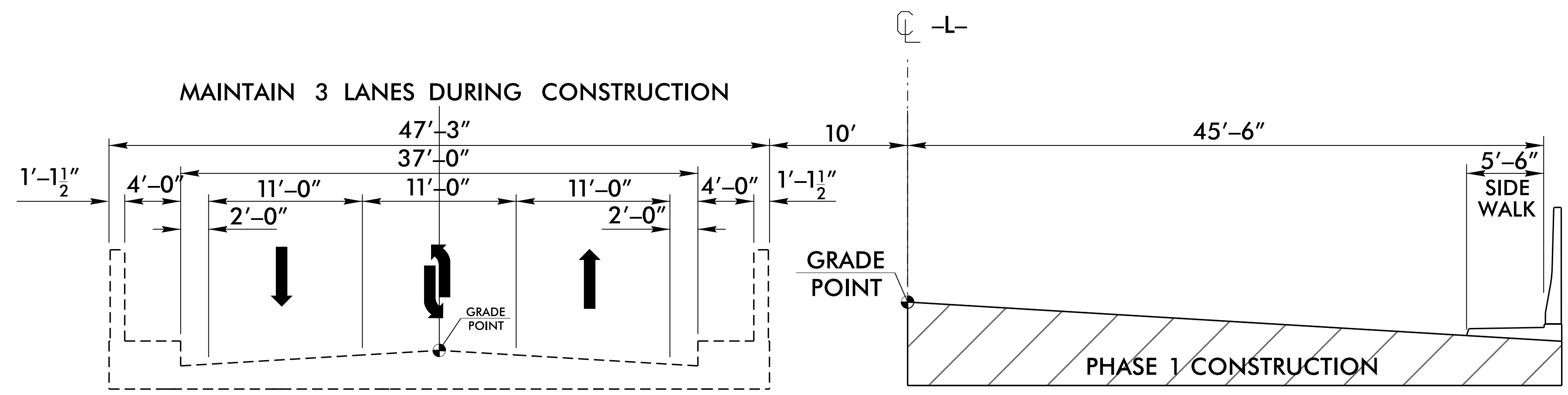
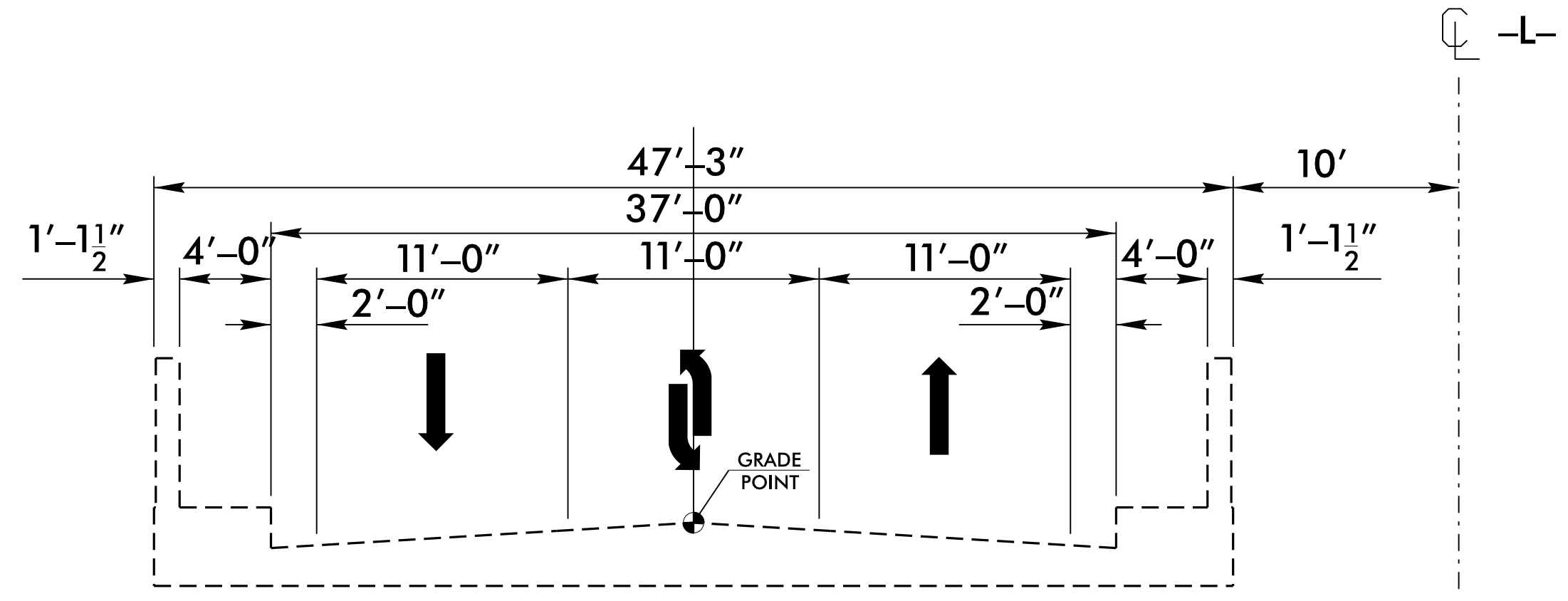


PHASE CONSTRUCTION FOR BRIDGE



8/17/99
 23 JUL 2015 07:48 P3159_Rdy_psh_tup_02A-8.dgn
 S:\PROJECTS\B3159\B3159.dwg