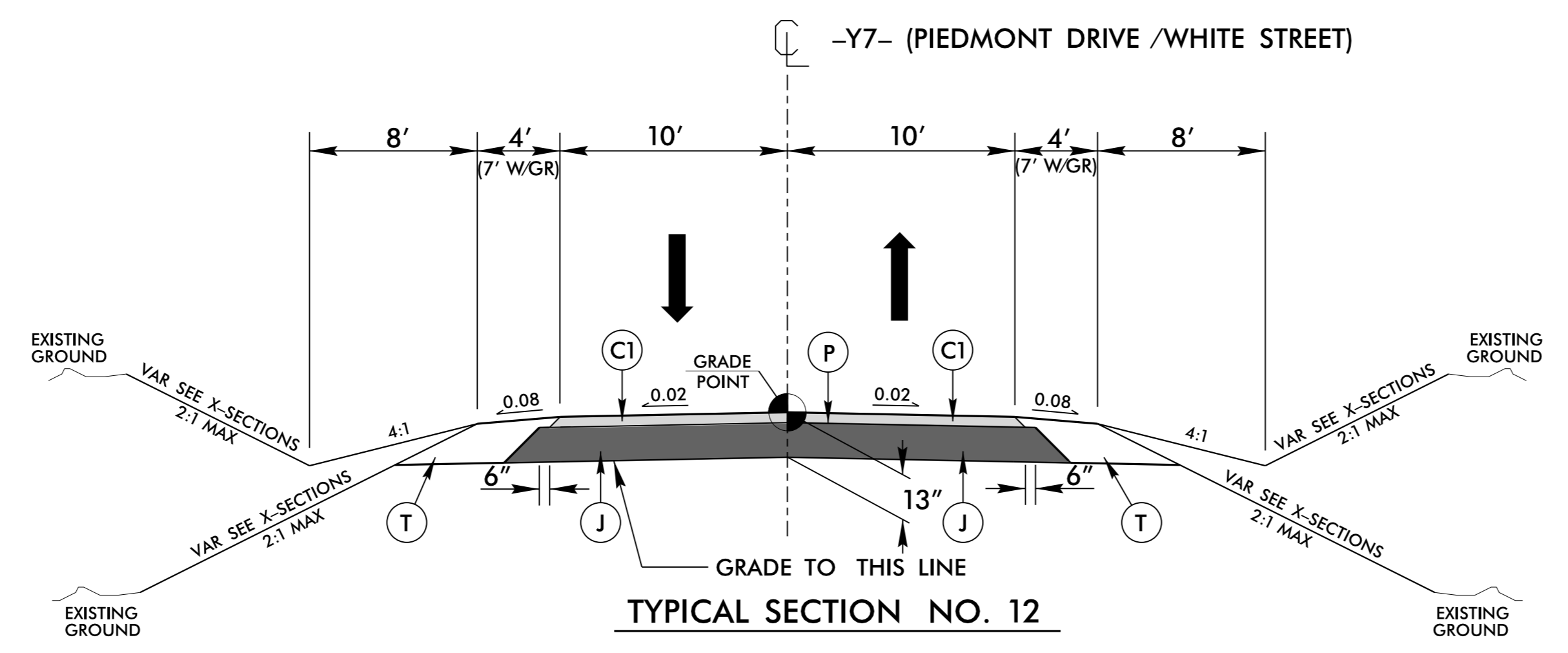
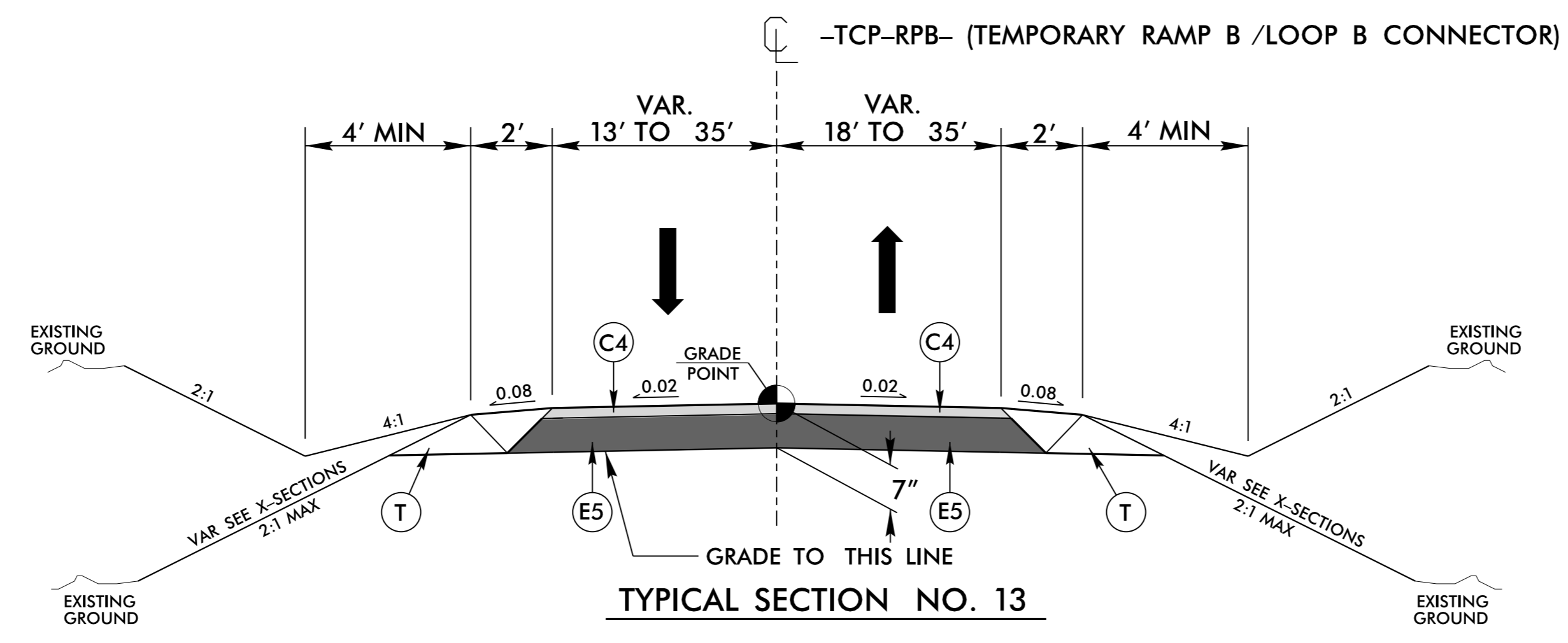


PROJECT REFERENCE NO. B-3159	SHEET NO. 2A-6
RW SHEET NO.	
ROADWAY DESIGN ENGINEER BRUCE B. PAYNE SEAL 22610 NORTH CAROLINA PROFESSIONAL ENGINEER 09/15/2015	PAVEMENT ENGINEER CLARK S. MORRISON SEAL 022896 NORTH CAROLINA PROFESSIONAL ENGINEER 09/15/2015
DocuSigned by: Bruce Payne	DocuSigned by: Clark S Morrison



USE TYPICAL SECTION NO. 12  
-Y7- STA. 10+00.00 TO STA. 18+53.57

**TEMPORARY PAVEMENT – PHASE II CONSTRUCTION**



USE TYPICAL SECTION NO. 13  
-TCP-RPB- STA. 10+50.00 TO STA. 12+66.91

C1	3" S9.5B
C2	VAR. S9.5B
C3	3" S9.5C
C4	2" S9.5B
C5	1.5" S9.5B
D1	4" I19.0B
D2	VAR. I19.0B
D3	3" I19.0C
E1	4.5" B25.0B
E2	7" B25.0B
E3	VAR. B25.0B
E4	10.5" B25.0C
E5	5" B25.0B
J	10" ABC
P	PRIME COAT
R1	2'-6" C & G
R2	5" CONC. ISLAND
S	4" STAMPED SIDEWALK
T	EARTH MATERIAL
U	EXISTING PVMNT
V1	3" MILLING
V2	VARIABLE DEPTH MILLING 0" TO 3"
W	WEDGING