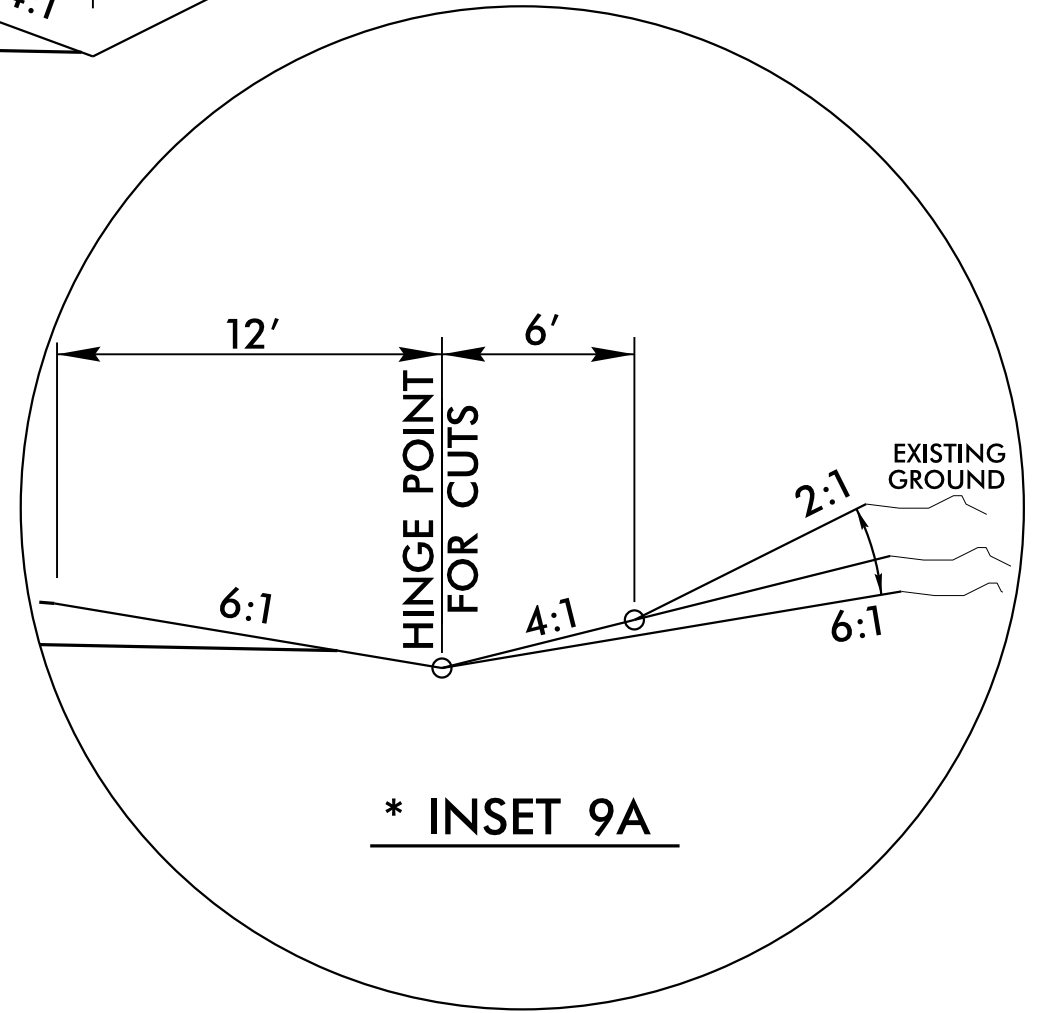
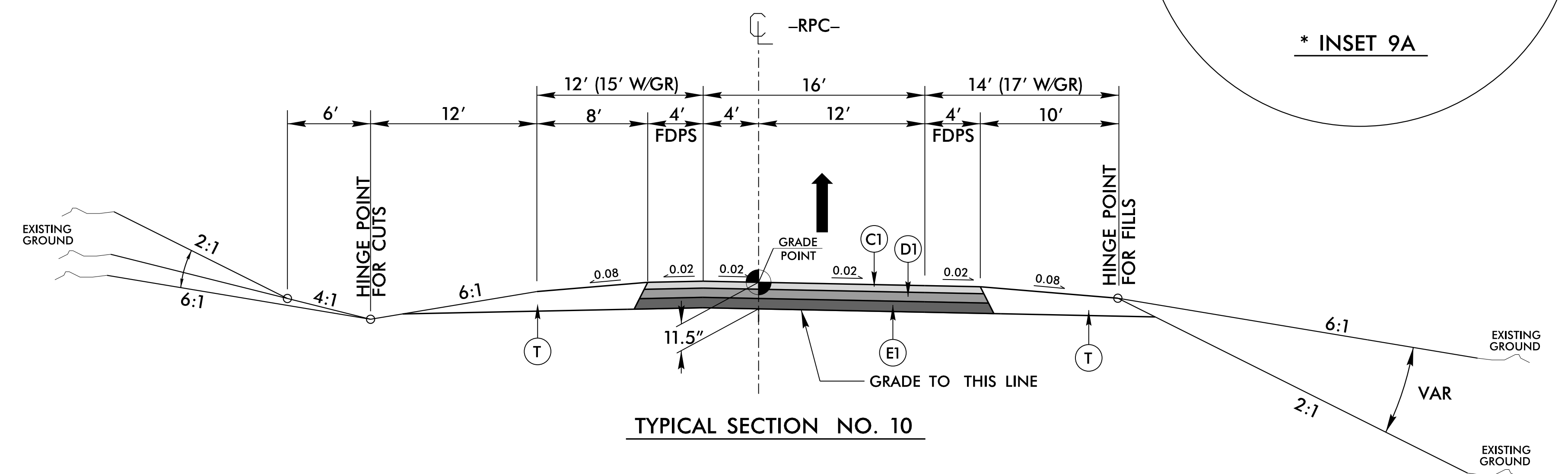


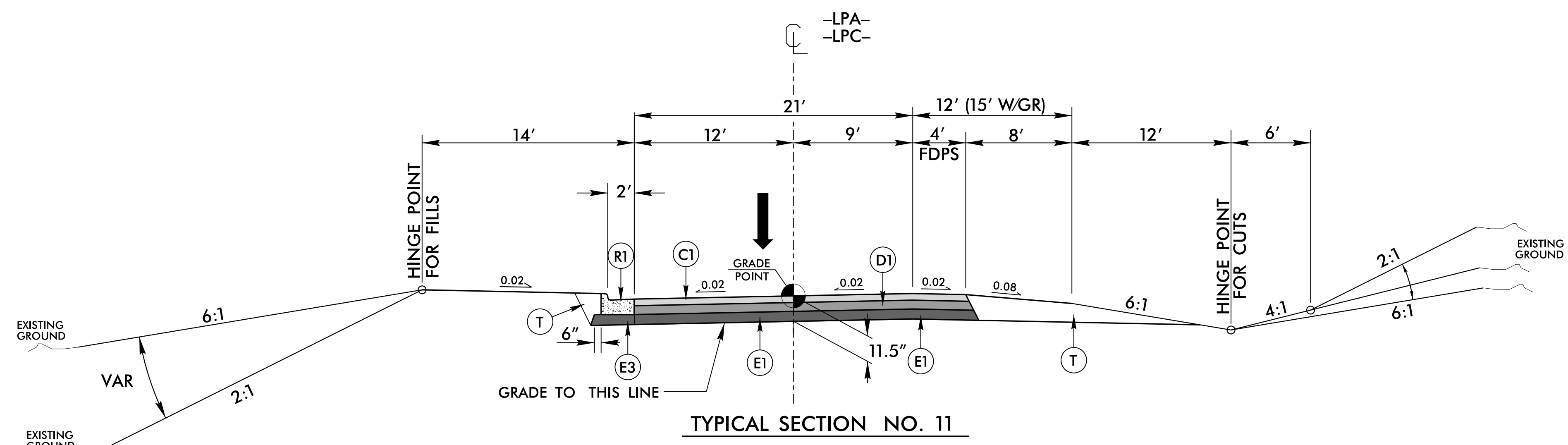
USE TYPICAL SECTION NO. 9
 * -RPA- STA. 10+00.00 TO STA. 15+72.67
 -RPA- STA. 15+72.67 TO STA. 21+61.41



* USE INSET 9A
 -RPA- STA. 10+00.00 TO STA. 15+72.67 RIGHT OF CENTERLINE



USE TYPICAL SECTION NO. 10
 -RPC- STA. 10+00.00 TO STA. 20+71.61



USE TYPICAL SECTION NO. 11
 -LPA- STA. 10+00.00 TO STA. 19+05.77
 -LPC- STA. 10+00.00 TO STA. 17+41.46

C1	3" S9.5B
C2	VAR. S9.5B
C3	3" S9.5C
C4	2" S9.5B
C5	1.5" S9.5B
D1	4" I19.0B
D2	VAR. I19.0B
D3	3" I19.0C
E1	4.5" B25.0B
E2	7" B25.0B
E3	VAR. B25.0B
E4	10.5" B25.0C
E5	5" B25.0B
J	10" ABC
P	PRIME COAT
R1	2'-6" C & G
R2	5" CONC. ISLAND
S	4" STAMPED SIDEWALK
T	EARTH MATERIAL
U	EXISTING PVMNT
V1	3" MILLING
V2	VARIABLE DEPTH MILLING 0" TO 3"
W	WEDGING