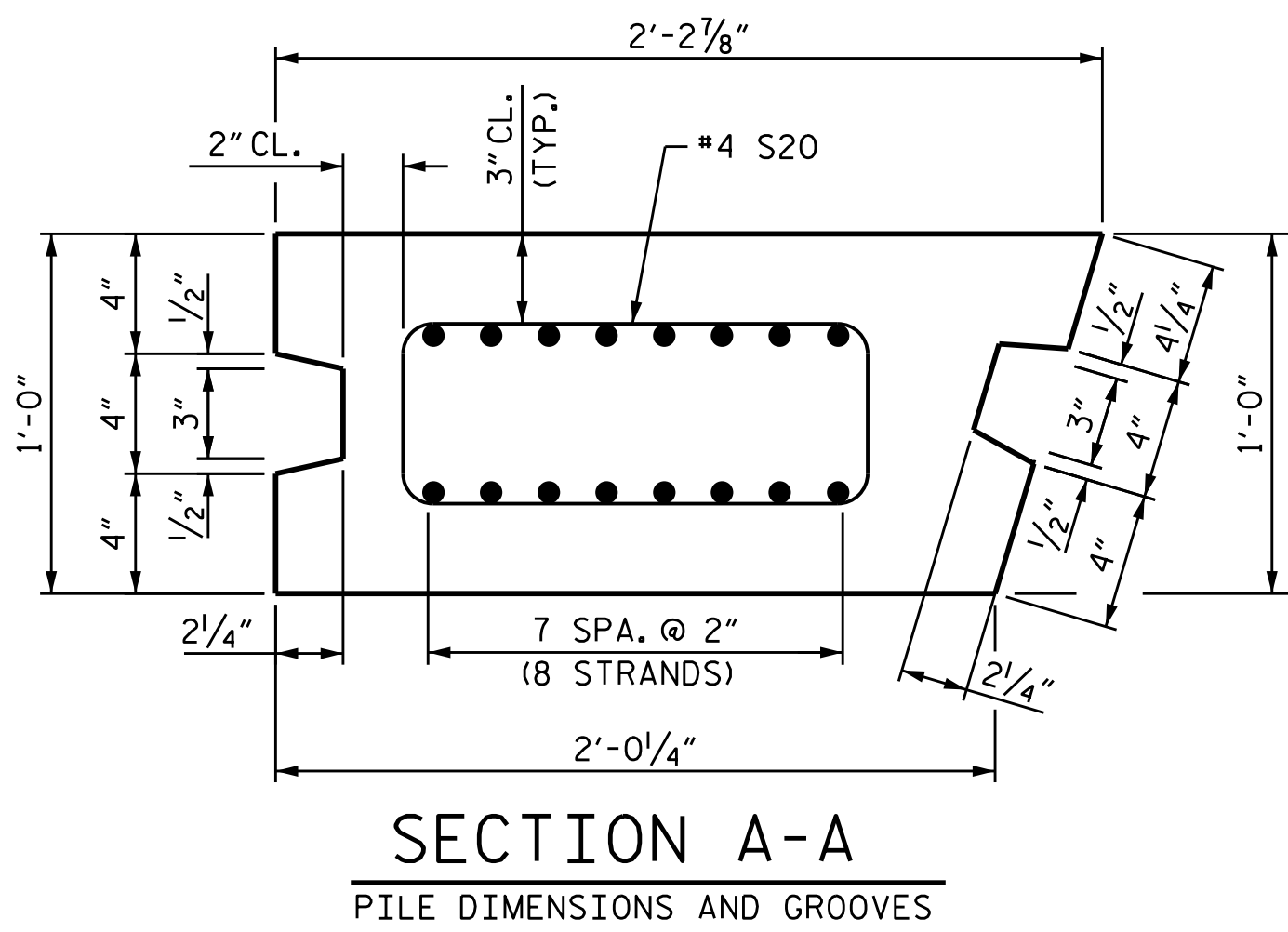
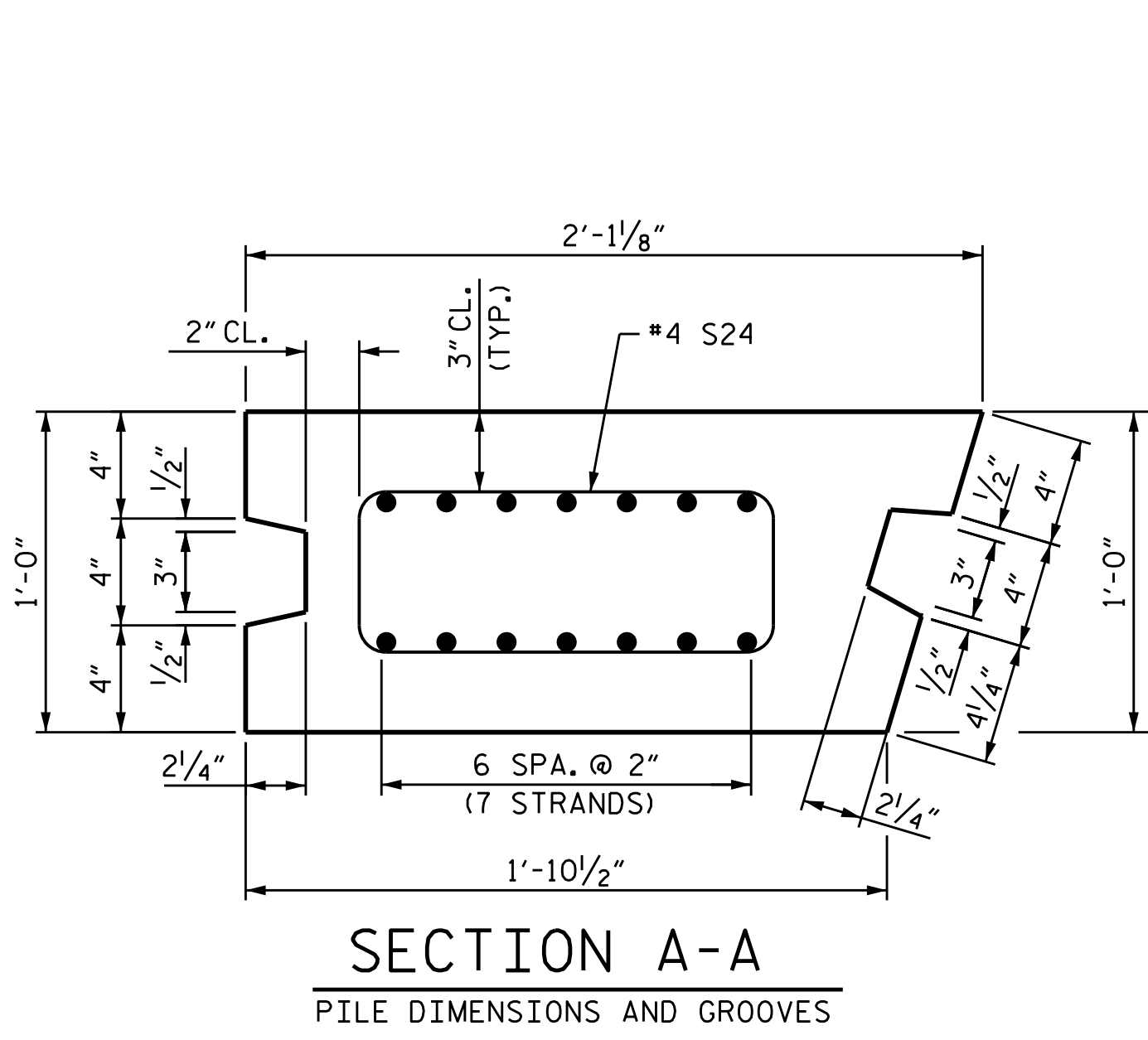


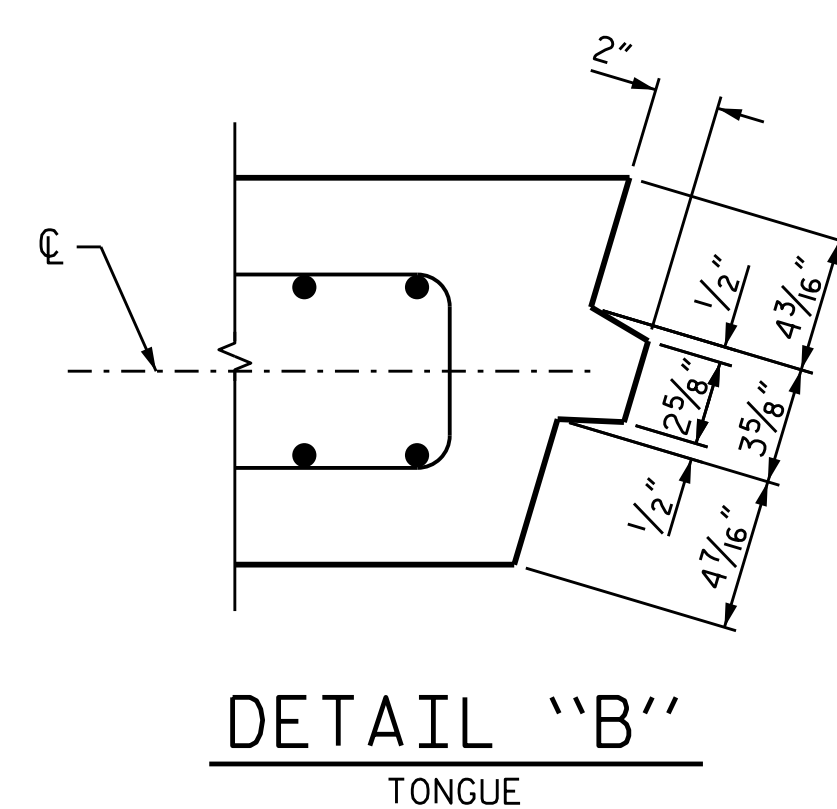
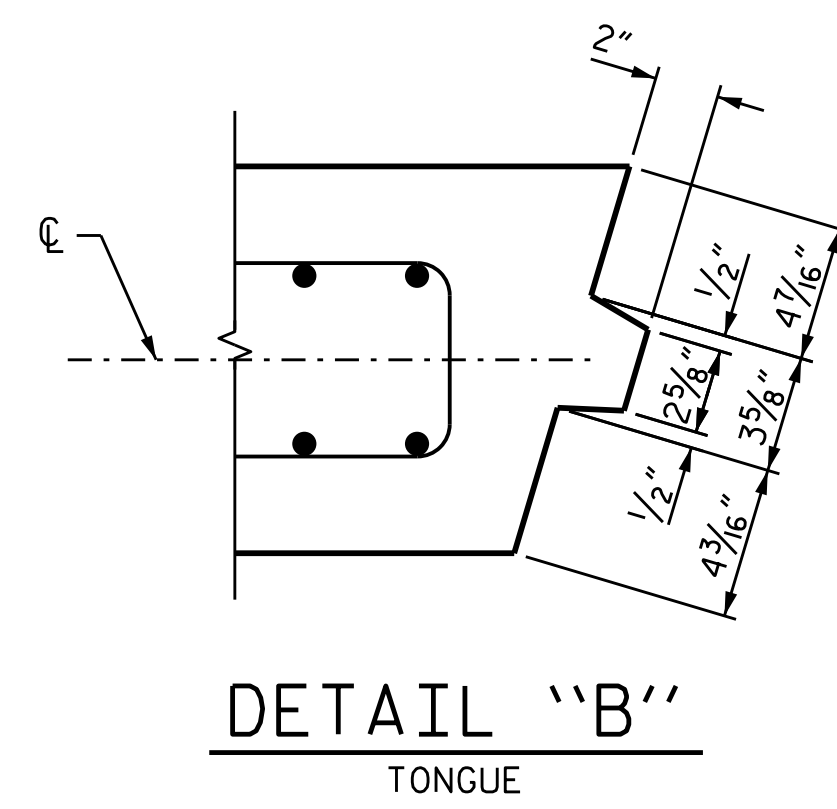
PILE TYPES A9 & A10 (SPECIAL PILES)



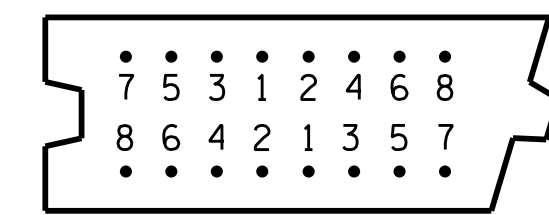
PILE TYPE A9 DETAILS



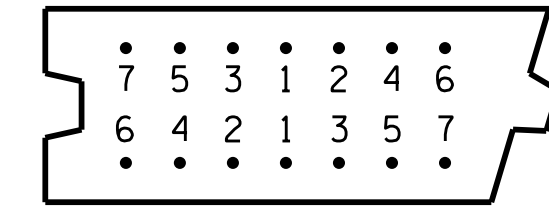
PILE TYPE A10 DETAILS



0.6" Ø L. R. GRADE 270 STRANDS		
AREA (SQ. INCHES)	ULTIMATE STRENGTH (LBS. PER STRAND)	APPLIED PRESTRESS (LBS. PER STRAND)
0.217	58,600	43,950



PATTERN FOR BURNING



PATTERN FOR BURNING

BILL OF MATERIAL					
A9 (SPECIAL PILE)					
BAR	NUMBER	SIZE	TYPE	LENGTH	WEIGHT
S20	13	#4	1	4'-6"	39
S21	29	#4	1	4'-10"	94
S22	1	#4	1	4'-1"	3
S23	1	#4	1	3'-5"	2
V4	2	#5	2	25'-10"	54
A10 (SPECIAL PILE)					
BAR	NUMBER	SIZE	TYPE	LENGTH	WEIGHT
S24	13	#4	1	4'-3"	37
S25	29	#4	1	4'-7"	89
S26	1	#4	1	3'-9"	3
S27	1	#4	1	3'-1"	2
V4	2	#5	2	25'-10"	54
BAR TYPES					
ALL BAR DIMENSIONING ARE OUT-TO-OUT					

QUANTITIES FOR ONE PILE			
PILE	REINFORCING STEEL	8,000 PSI CONCRETE	0.6" Ø L. R. STRANDS
	LB.	C.Y.	No.
A9 (SPECIAL PILE)	192	2.8	16
A10 (SPECIAL PILE)	185	2.6	14

PROJECT NO. B-2500AB
DARE COUNTY
 STATION: 3170+75.00 -L-
 SHEET 10 OF 11



STATE OF NORTH CAROLINA DEPARTMENT OF TRANSPORTATION RALEIGH					
CONCRETE SHEET PILE RETAINING WALL SHEET PILE DETAILS					
REVISIONS					SHEET NO.
NO.	BY:	DATE:	NO.	BY:	DATE:
1			3		
2			4		
					W-10
					TOTAL SHEETS 13

DRAWN BY: T. M. GARRISON, P.E. DATE: 6/15
 CHECKED BY: M. A. ALLEN DATE: 6/15
 DESIGN ENGINEER OF RECORD: T. M. GARRISON, P.E. DATE: 6/15