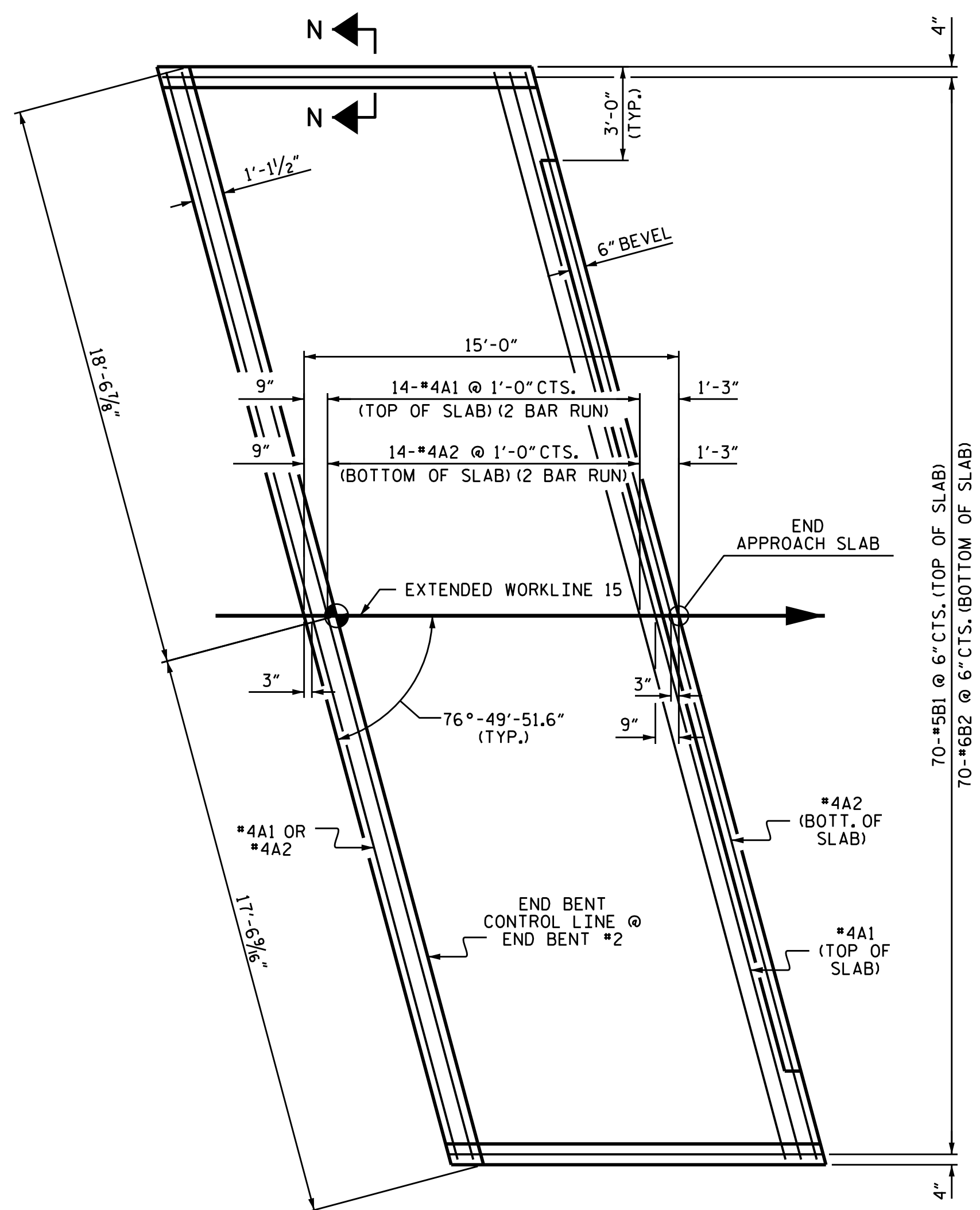


PLAN @ END BENT #1



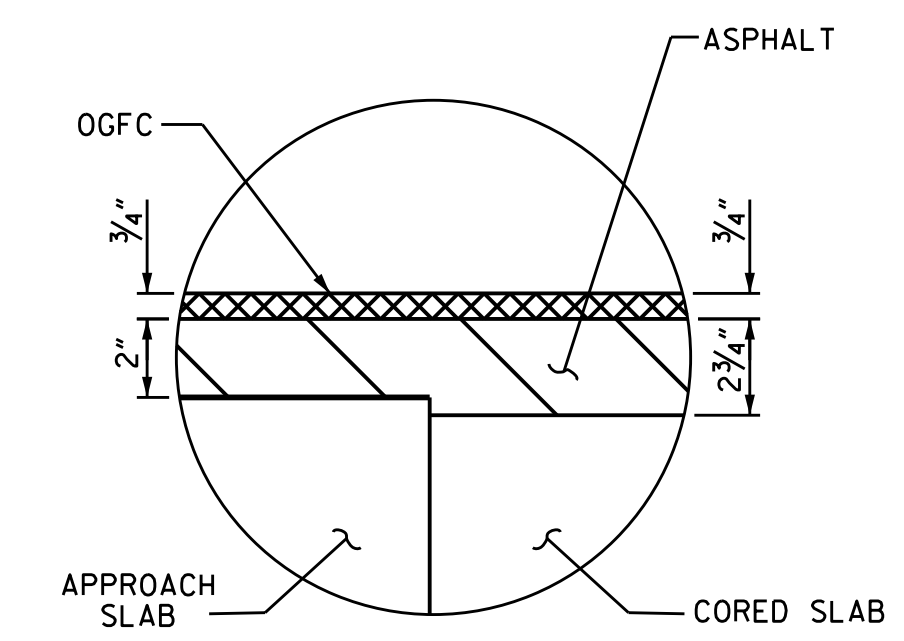
PLAN @ END BENT #2

DIMENSIONS SHOWN ARE TYPICAL FOR BOTH APPROACH SLABS

NOTES

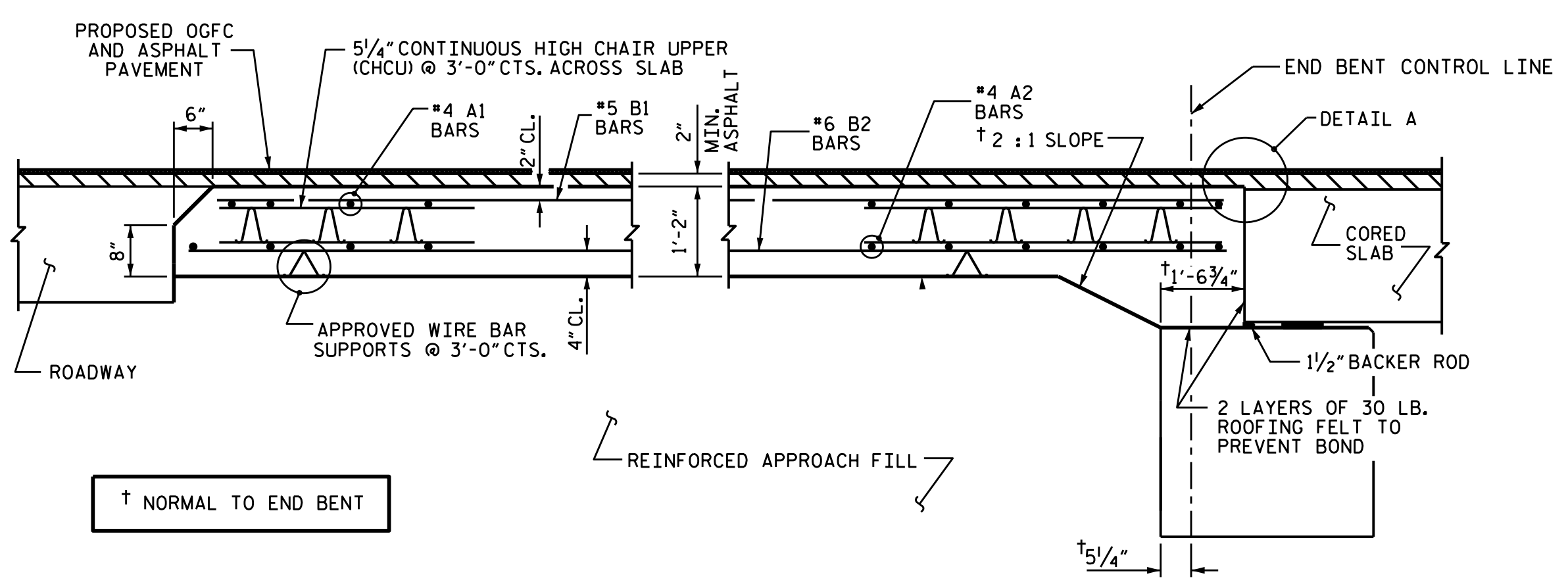
FOR REINFORCED APPROACH FILL SEE REINFORCED APPROACH FILL DETAILS AND SPECIAL PROVISIONS.  
 AREA BETWEEN THE CONCRETE SHEET PILE RETAINING WALL AND APPROACH SLAB SHALL BE GRADED TO DRAIN THE WATER AWAY FROM THE END BENT CAP AND SHALL BE PAVED. SEE ROADWAY PLANS.  
 APPROACH SLAB GROOVING IS NOT REQUIRED.

BILL OF MATERIAL						
APPROACH SLAB AT EB #1						
BAR	NO.	SIZE	TYPE	LENGTH	WEIGHT	
*A1	32	#4	STR	19'-1"	408	
A2	32	#4	STR	18'-11"	404	
*B1	70	#5	STR	14'-0"	1022	
B2	70	#6	STR	14'-6"	1525	
REINFORCING STEEL					LBS.	1929
*EPOXY COATED REINFORCING STEEL					LBS.	1430
CLASS AA CONCRETE					C. Y.	25.2
APPROACH SLAB AT EB #2						
BAR	NO.	SIZE	TYPE	LENGTH	WEIGHT	
*A1	32	#4	STR	18'-10"	403	
A2	32	#4	STR	18'-8"	399	
*B1	70	#5	STR	14'-0"	1022	
B2	70	#6	STR	14'-6"	1525	
REINFORCING STEEL					LBS.	1924
*EPOXY COATED REINFORCING STEEL					LBS.	1425
CLASS AA CONCRETE					C. Y.	25.2

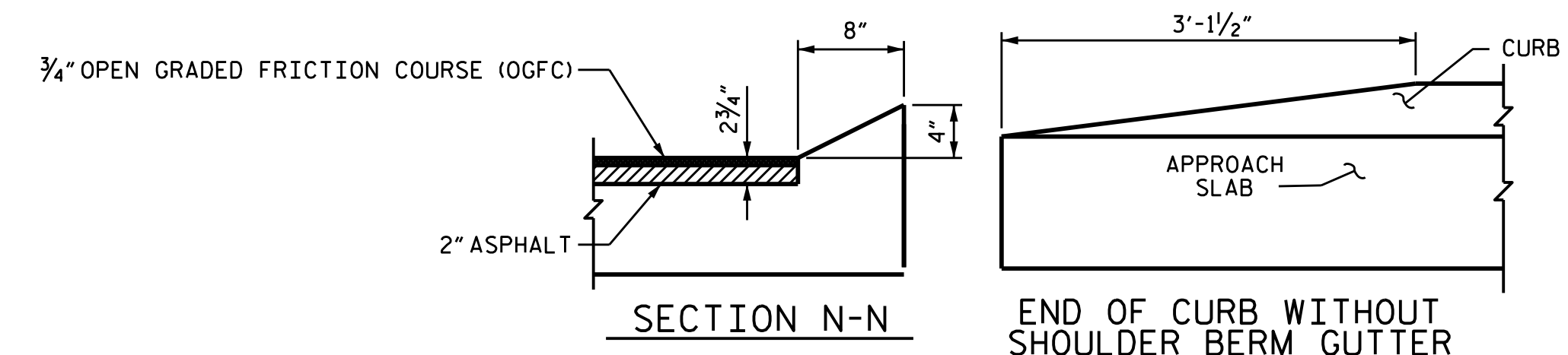


DETAIL A

(SHOWING DEPTHS OF ASPHALT AND OGFC ON APPROACH SLAB AND BRIDGE)



SECTION THRU SLAB



CURB DETAILS

SPLICE LENGTHS		
BAR SIZE	EPOXY COATED	UNCOATED
#4	2'-0"	1'-9"
#5	2'-6"	2'-2"
#6	3'-10"	2'-7"



PROJECT NO. B-2500AB  
 DARE COUNTY  
 STATION: 3170+75.00 -L-

STATE OF NORTH CAROLINA DEPARTMENT OF TRANSPORTATION RALEIGH					
BRIDGE APPROACH SLAB FOR PRESTRESSED CONCRETE CORED SLAB UNIT					
REVISIONS					SHEET NO.
NO.	BY:	DATE:	NO.	BY:	DATE:
1			3		
2			4		
					S-44
					TOTAL SHEETS 44

ASSEMBLED BY : E. K. POPE, P.E. DATE : 6/15  
 CHECKED BY : B. L. GREEN, P.E. DATE : 6/15  
 DRAWN BY : SHS/MAA 5-09 REV. 12-11 MAA/ATC  
 CHECKED BY : BCH 5-09 REV. 8-14 MAA/TMG