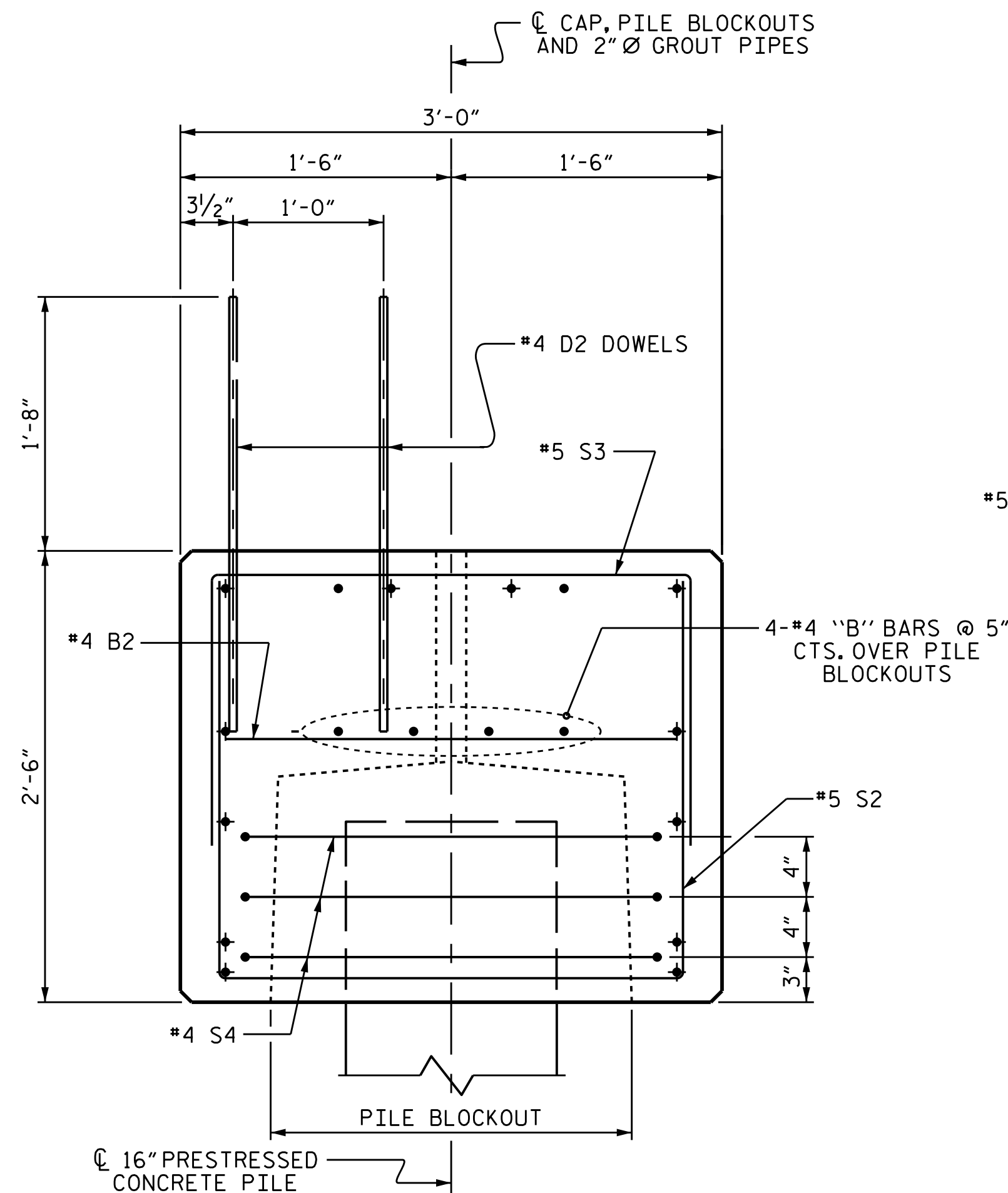
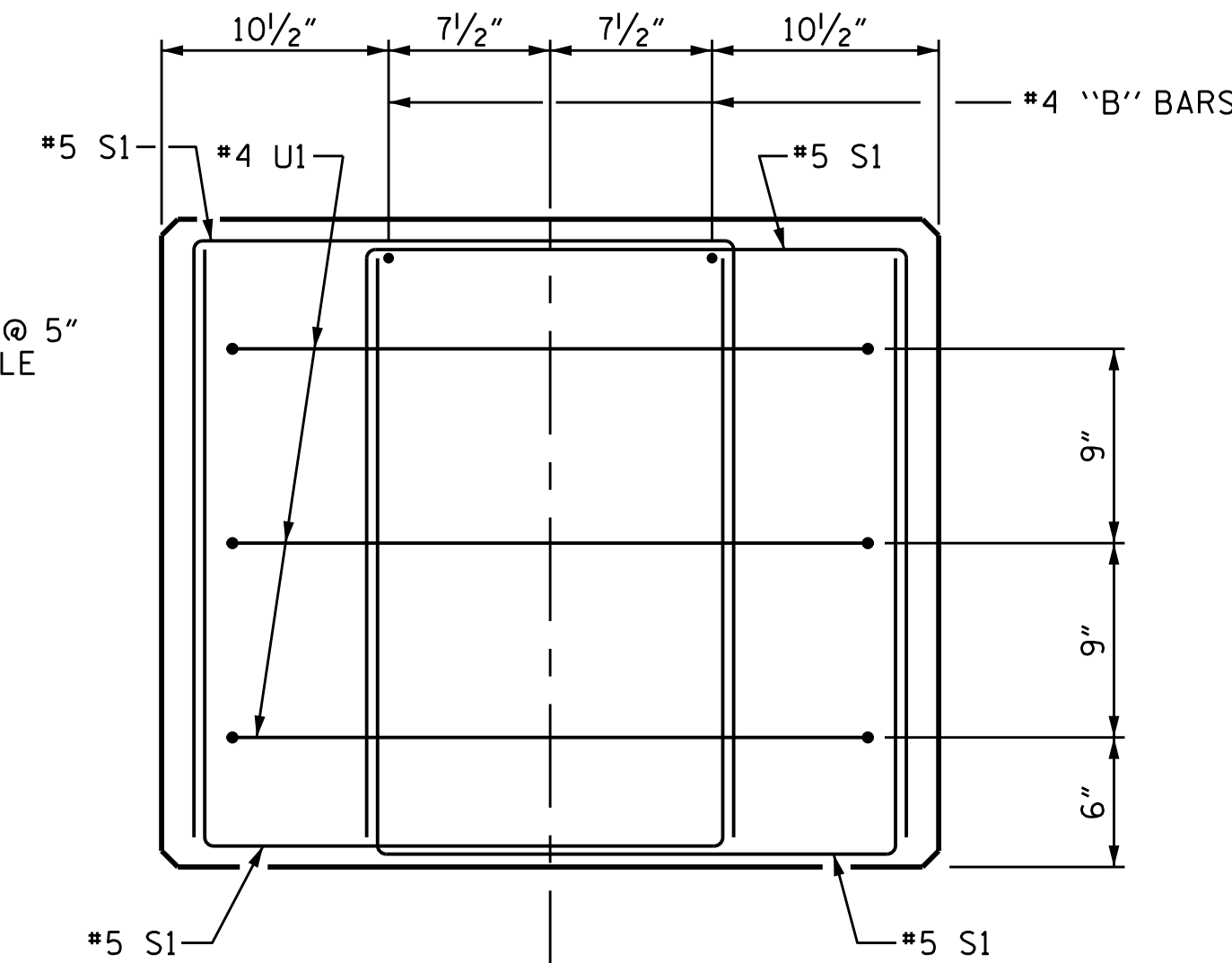


**SECTION A-A**

(SHOWING 0.6" Ø LOW RELAXATION STRAND LAYOUT)  
(12 STRANDS)

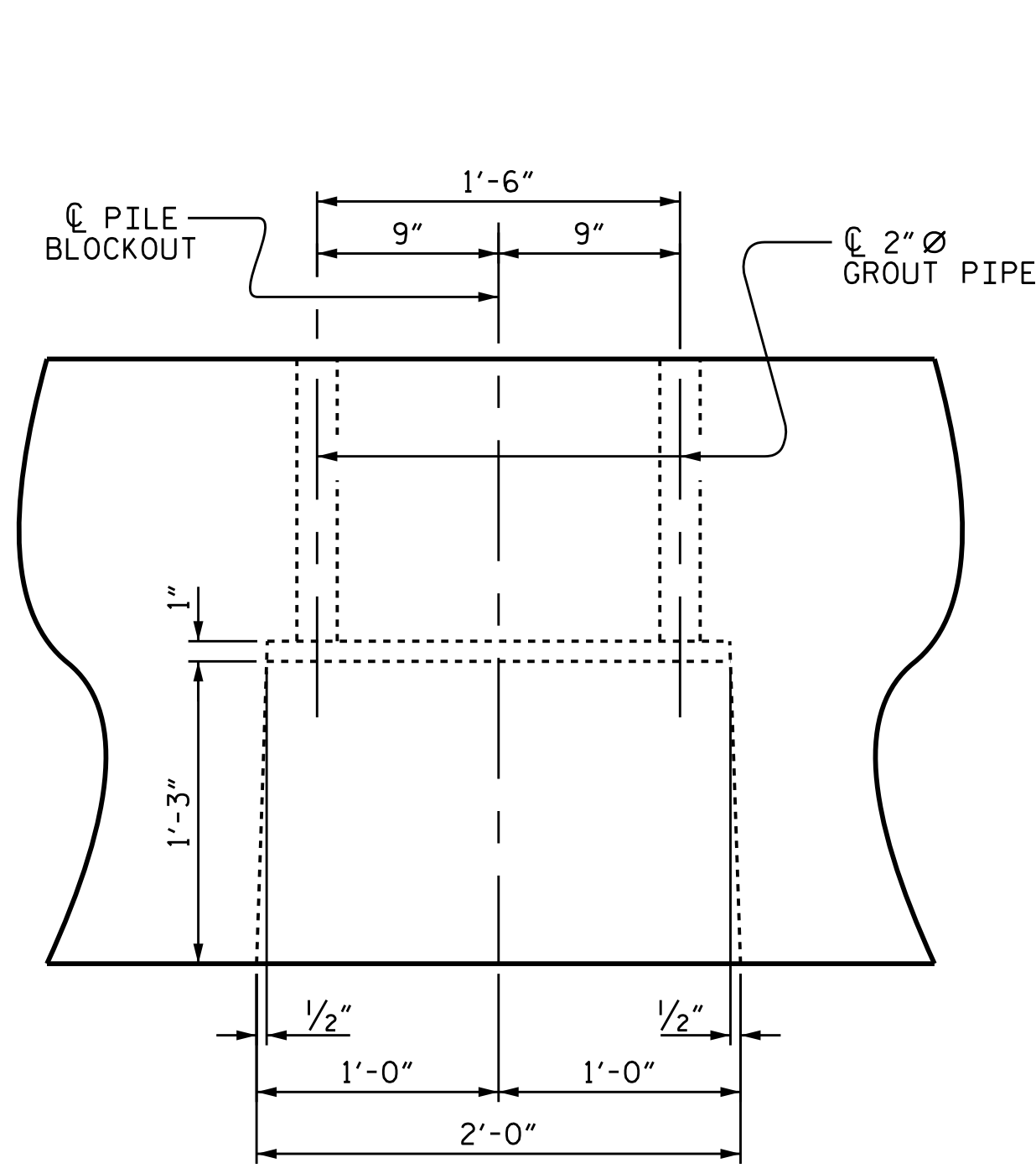


**SECTION B-B**

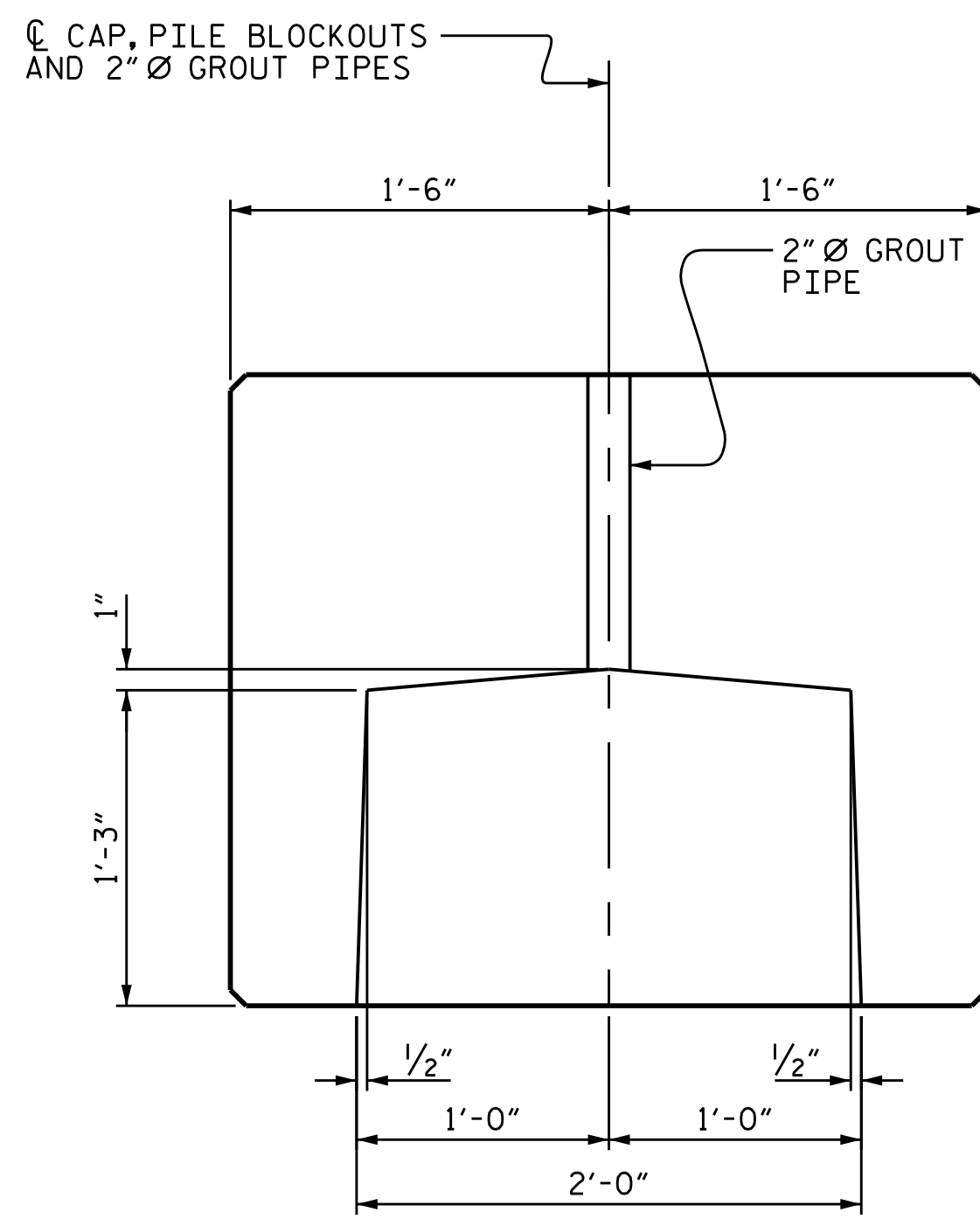


**END OF CAP VIEW**

(TYPICAL BOTH ENDS)



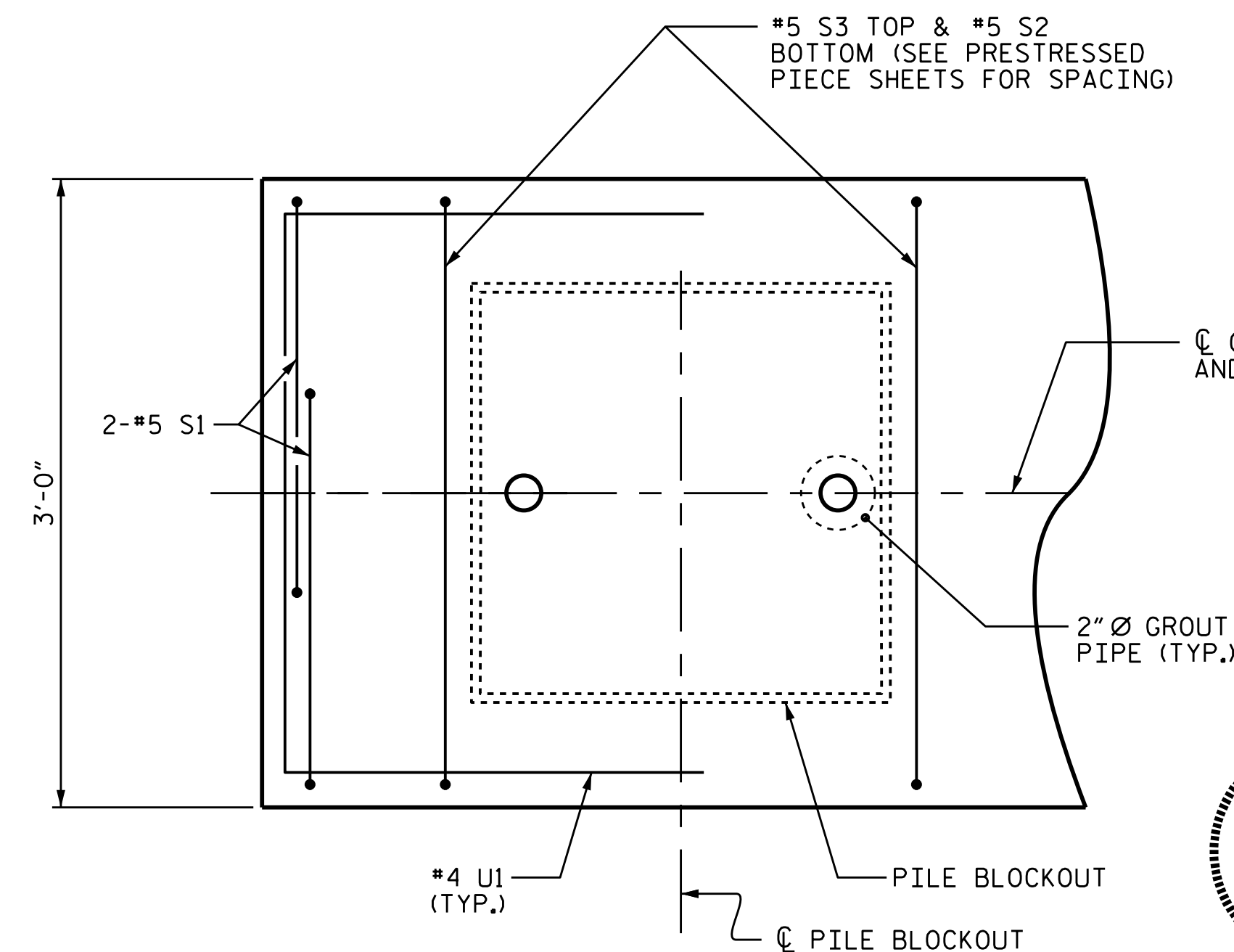
**ELEVATION**



**SECTION**

**PILE BLOCKOUT DETAILS**

(DIMENSIONS ARE TYPICAL EACH BLOCKOUT)



**PART PLAN-END OF CAP**

(TYPICAL BOTH ENDS)

**NOTES**

STIRRUPS IN PRESTRESSED PIECES MAY BE SHIFTED AS NECESSARY TO CLEAR DOWELS AND GROUT PIPES.

ALL PRESTRESSING STRANDS SHALL BE 7-WIRE LOW RELAXATION GRADE 270 STRANDS AND SHALL CONFORM TO AASHTO M203 EXCEPT FOR SAMPLING REQUIREMENTS WHICH SHALL BE IN ACCORDANCE WITH THE STANDARD SPECIFICATIONS.

ALL REINFORCING STEEL CAST WITH THE END BENT CAP SHALL BE GRADE 60 AND SHALL BE INCLUDED IN THE UNIT PRICE BID FOR "3'-0" x 2'-6" PRESTRESSED CONCRETE BENT CAPS".

WHEN END BENT CAPS ARE CAST, A HOLD-DOWN SYSTEM SHALL BE EMPLOYED TO PREVENT VOIDS FROM RISING OR MOVING SIDWAYS. AT LEAST SIX WEEKS PRIOR TO CASTING END BENT CAPS, THE CONTRACTOR SHALL SUBMIT TO THE ENGINEER FOR REVIEW AND COMMENT, DETAILED DRAWINGS OF THE PROPOSED HOLD-DOWN SYSTEM. IN ADDITION TO STRUCTURAL DETAILS, LOCATION AND SPACING OF THE HOLD-DOWNS SHALL BE INDICATED.

PRESTRESSING STRANDS SHALL BE CUT FLUSH WITH THE ENDS OF THE END BENT CAP SEGMENTS.

APPLY EPOXY PROTECTIVE COATING TO THE EXTERIOR END FACE OF PRESTRESSED PIECE EB2-01 AND EB2-03.

THE TRANSFER OF LOAD FROM THE ANCHORAGES TO THE END BENT CAPS SHALL BE DONE WHEN THE CONCRETE HAS REACHED A COMPRESSIVE STRENGTH OF NOT LESS THAN 3000 PSI.

THE CONTRACTOR SHALL SUBMIT TO THE ENGINEER FOR APPROVAL A METHOD TO LIFT AND SUPPORT THE PRESTRESSED CAP PIECES IN THE PROPER LOCATION AND ELEVATION AS SHOWN ON THE PLANS PRIOR TO PLACEMENT AND CURING OF THE GROUT IN THE PILE BLOCKOUTS. THE METHOD CHOSEN SHALL PROVIDE FOR A WATERTIGHT SEAL AT THE BOTTOM OF THE CAP UNTIL THE GROUT HAS HARDENED SO NO GROUT LEAKS FROM THE PILE BLOCKOUT AREA.

PRESTRESSED CONCRETE END BENT CAPS SHALL CONTAIN CALCIUM NITRITE CORROSION INHIBITOR IN ACCORDANCE WITH THE STANDARD SPECIFICATIONS, EXCEPT THAT THE INHIBITOR SHALL BE APPLIED AT A RATE OF 4.0 GALLONS PER CUBIC YARD. NO SEPARATE PAYMENT WILL BE MADE FOR THE ADDITION OF CALCIUM NITRITE, AS IT IS CONSIDERED INCIDENTAL TO THE VARIOUS PAY ITEMS.

PRESTRESSED CONCRETE BENT CAPS (END BENT 2)			
PIECE	LENGTH	NUMBER	TOTAL LENGTH
EB2-01	15'-3 1/2"	1	15'-3 1/2"
EB2-02	10'-3"	1	10'-3"
EB2-03	15'-3 1/2"	1	15'-3 1/2"
TOTAL		3	40.83'

16" PRESTRESSED CONCRETE PILES (FOR END BENT 2)	
No. 8	LIN. FT. 480

PROJECT NO. B-2500AB  
 DARE COUNTY  
 STATION: 3170+75.00 -L-

SHEET 5 OF 6

STATE OF NORTH CAROLINA  
 DEPARTMENT OF TRANSPORTATION  
 RALEIGH

SUBSTRUCTURE  
 END BENT 2



DocuSigned by:  
 8/20/2015

ASSEMBLED BY : M.A. ALLEN DATE : 6/15  
 CHECKED BY : T.M. GARRISON DATE : 6/15

DRAWN BY : MAA 7/12  
 CHECKED BY : SHS 8/12

REVISIONS						SHEET NO.
NO.	BY:	DATE:	NO.	BY:	DATE:	TOTAL SHEETS
1			3			44
2			4			