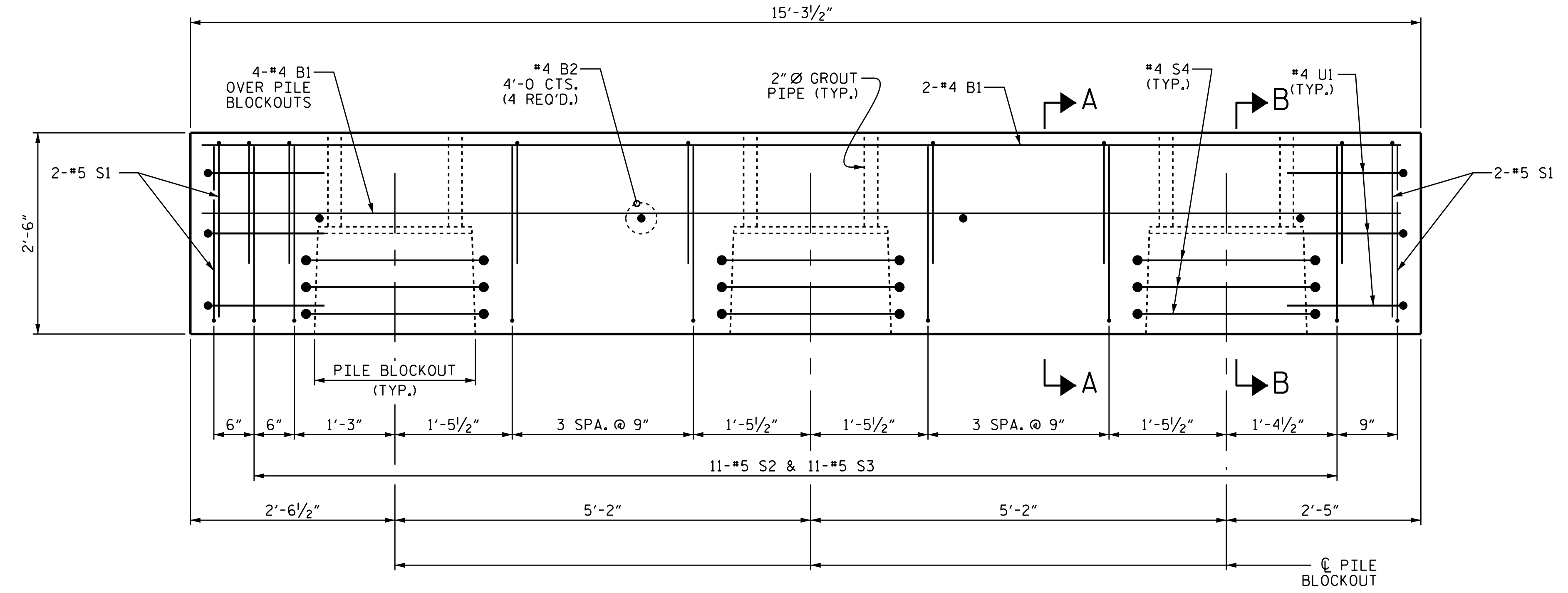


**PLAN**  
(FOR PILE BLOCKOUT DETAILS, SEE SHEET 5 OF 6)

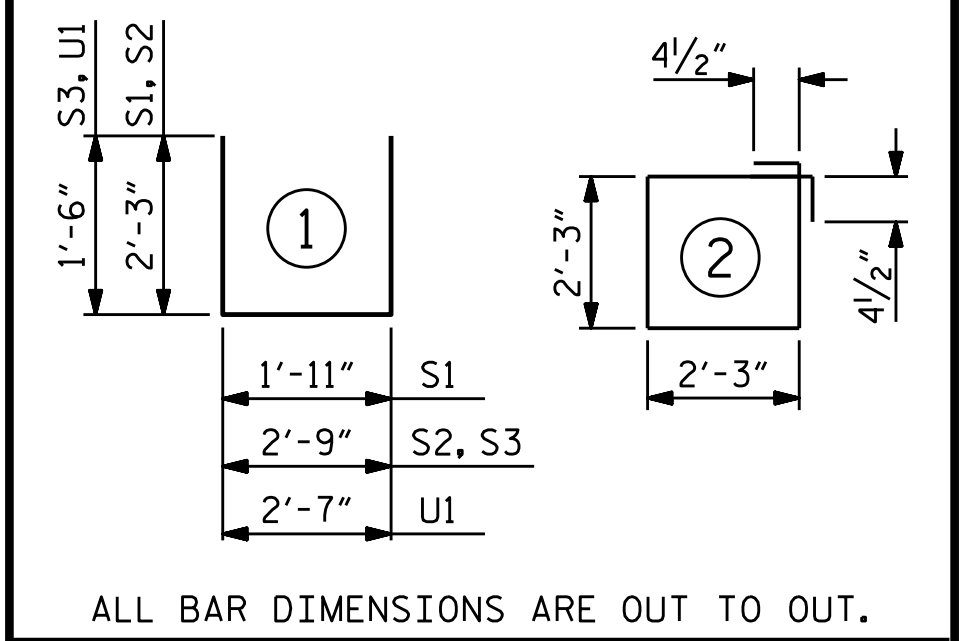


**ELEVATION**  
(\*6 D1 AND \*4 D2 DOWELS NOT SHOWN FOR CLARITY)  
FOR SECTION A-A AND SECTION B-B, SEE SHEET 5 OF 6.

**BILL OF MATERIAL  
FOR ONE PIECE EB2-03**

BAR	NO.	SIZE	TYPE	LENGTH	WEIGHT
B1	6	#4	STR	14'-11"	60
B2	4	#4	STR	2'-8"	7
D1	8	#6	STR	1'-6"	18
*D2	8	#4	STR	2'-8"	14
S1	8	#5	1	6'-5"	54
S2	11	#5	1	7'-3"	83
S3	11	#5	1	5'-9"	66
S4	9	#4	2	9'-9"	59
U1	6	#4	1	5'-7"	22
REINFORCING STEEL					369 LBS
* EPOXY COATED REINFORCING STEEL					14 LBS
4000 PSI PRESTRESS CONCRETE					3.7 C.Y.
PILE BLOCKOUT GROUT ▲					0.4 C.Y.
0.6" Ø L.R. STRANDS					No. 12

**BAR TYPES**



▲ GROUT DISPLACED BY THE 16" PRESTRESSED CONCRETE PILES HAS BEEN DEDUCTED FROM THE GROUT QUANTITY.

GRADE 270 STRANDS	
AREA ( SQUARE INCHES )	0.6" Ø L.R.
ULTIMATE STRENGTH ( LBS. PER STRAND )	58,600
APPLIED PRESTRESS ( LBS. PER STRAND )	43,950

PROJECT NO. B-2500AB  
DARE COUNTY  
 STATION: 3170+75.00 -L-

STATE OF NORTH CAROLINA  
 DEPARTMENT OF TRANSPORTATION  
 RALEIGH

SUBSTRUCTURE  
 PRESTRESSED  
 PIECE EB2-03



DocuSigned by:  
 Todd M. Garrison  
 8/3/2015

REVISIONS						SHEET NO.
NO.	BY:	DATE:	NO.	BY:	DATE:	S-39
1			3			TOTAL SHEETS 44
2			4			

ASSEMBLED BY : M.A. ALLEN	DATE : 6/15
CHECKED BY : T.M. GARRISON	DATE : 6/15
DRAWN BY : MAA 7/12	
CHECKED BY : SHS 8/12	