

**BILL OF MATERIAL  
FOR ONE PIECE B-03**

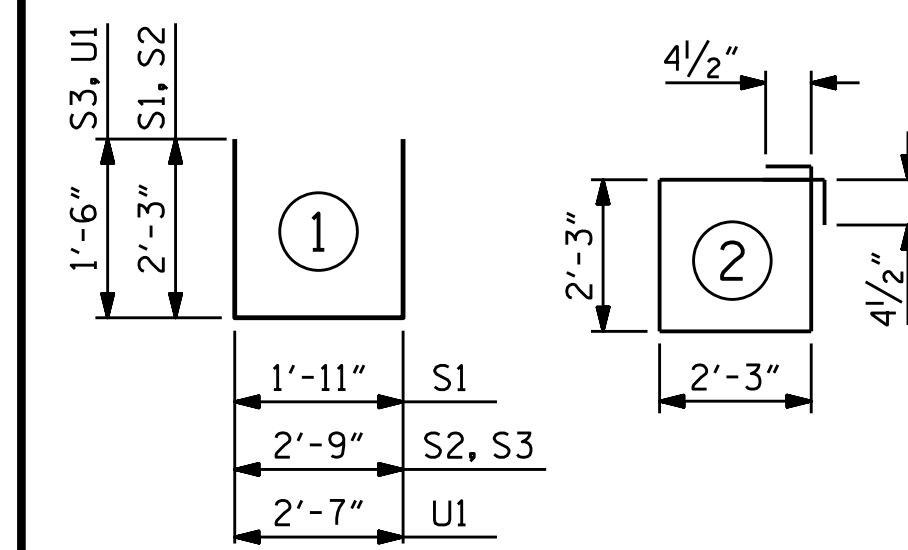
BAR	NO.	SIZE	TYPE	LENGTH	WEIGHT
B1	6	#4	STR	14'-10"	59
B2	4	#4	STR	2'-8"	7
D1	16	#6	STR	1'-6"	36
S1	8	#5	1	6'-5"	54
S2	11	#5	1	7'-3"	83
S3	11	#5	1	5'-9"	66
S4	9	#4	2	9'-9"	59
U1	6	#4	1	5'-7"	22

REINFORCING STEEL 386 LBS

4000 PSI PRESTRESS CONCRETE 3.7 C.Y.  
PILE BLOCKOUT GROUT ▲ 0.4 C.Y.

0.6" Ø L.R. STRANDS No. 12

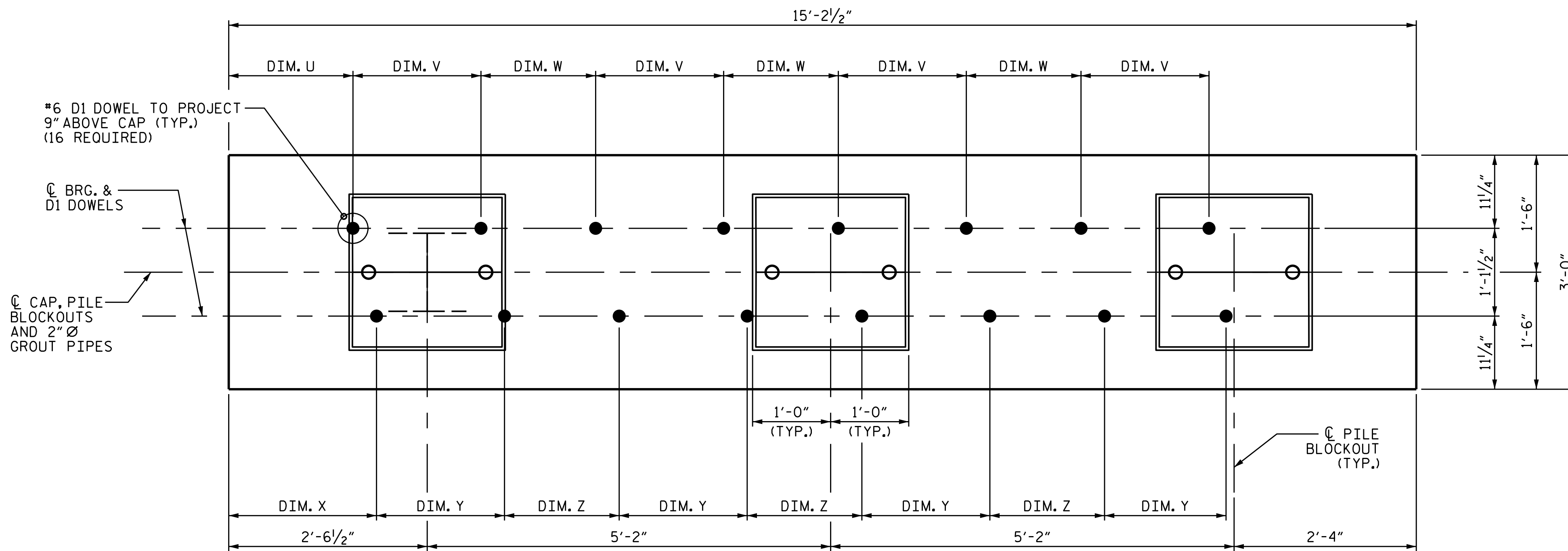
**BAR TYPES**



ALL BAR DIMENSIONS ARE OUT TO OUT.

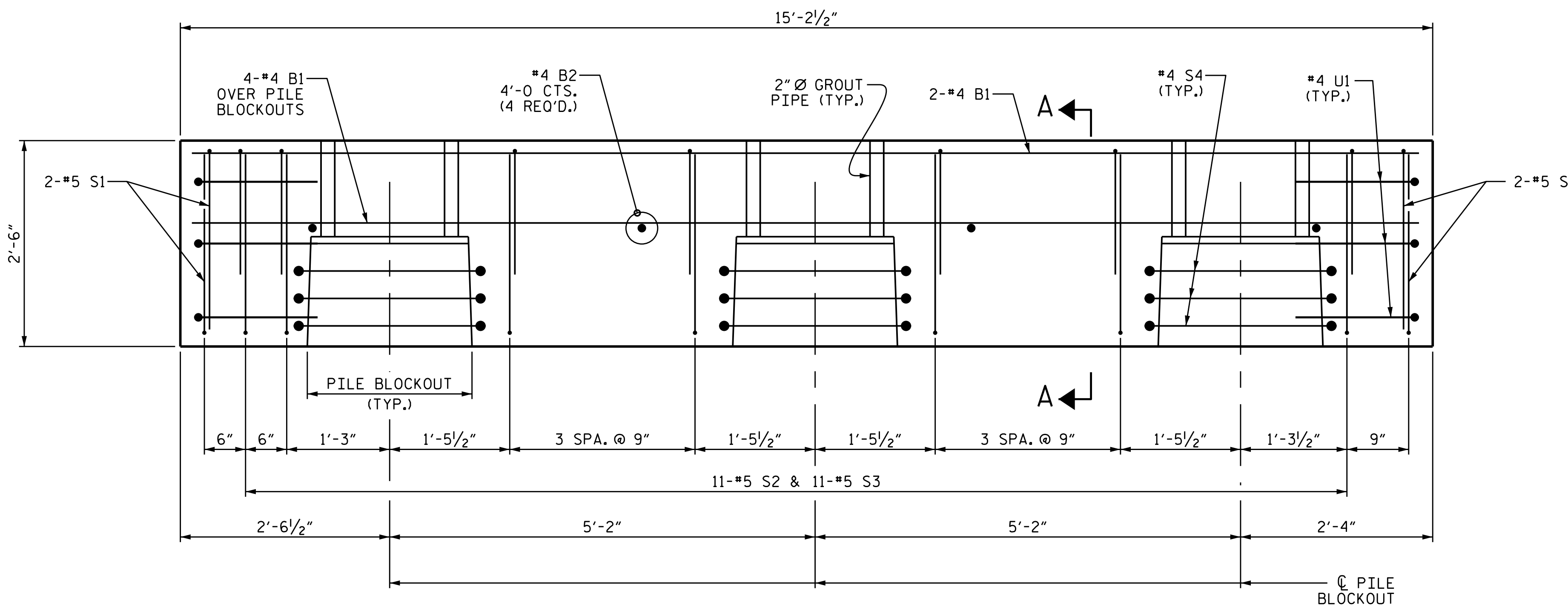
▲ GROUT DISPLACED BY THE 16" PRESTRESSED CONCRETE PILES HAS BEEN DEDUCTED FROM THE GROUT QUANTITY.

GRADE 270 STRANDS	
	0.6" Ø L.R.
AREA ( SQUARE INCHES )	0.217
ULTIMATE STRENGTH ( LBS. PER STRAND )	58,600
APPLIED PRESTRESS ( LBS. PER STRAND )	43,950



**PLAN**

(FOR PILE BLOCKOUT DETAILS, SEE SHEET 7 OF 7)  
(SEE SHEET 6 OF 7 FOR PIECE DESIGNATIONS FOR EACH BENT;  
FOR EXAMPLE, THE SECOND PIECE FOR BENT 19 WILL BE DESIGNATED B19-02)  
(FOR DOWEL DIMENSIONS, SEE SHEET 6 OF 7)

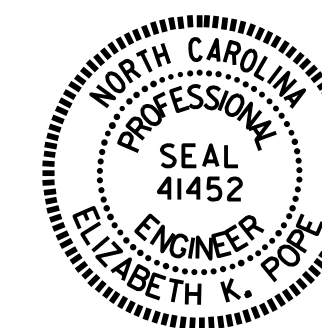


**ELEVATION**

(#6 D1 DOWELS NOT SHOWN FOR CLARITY)  
FOR SECTION A-A, SEE SHEET 7 OF 7.

ASSEMBLED BY : E. K. POPE, P.E.	DATE : 6/15
CHECKED BY : T. M. GARRISON, P.E.	DATE : 6/15
DRAWN BY : MAA 7/12	
CHECKED BY : SHS 8/12	

27-JUL-2015 08:16  
R:\Structures\Final Plans\dgn\B2500AB.SD.CS.FINALPLANS.dgn  
tgarrison



DocuSigned by:  
Elizabeth K. Pope  
8/3/2015

PROJECT NO. B-2500AB  
DARE COUNTY  
STATION: 3170+75.00 -L-

SHEET 5 OF 7

STATE OF NORTH CAROLINA  
DEPARTMENT OF TRANSPORTATION  
RALEIGH

SUBSTRUCTURE  
BENTS 1 THRU 46  
PRECAST  
PIECE B-03

REVISIONS						SHEET NO.
NO.	BY:	DATE:	NO.	BY:	DATE:	S-33
1			3			TOTAL SHEETS 44
2			4			

STD. NO. 16" PS\_PSBT\_36\_105S\_<60'