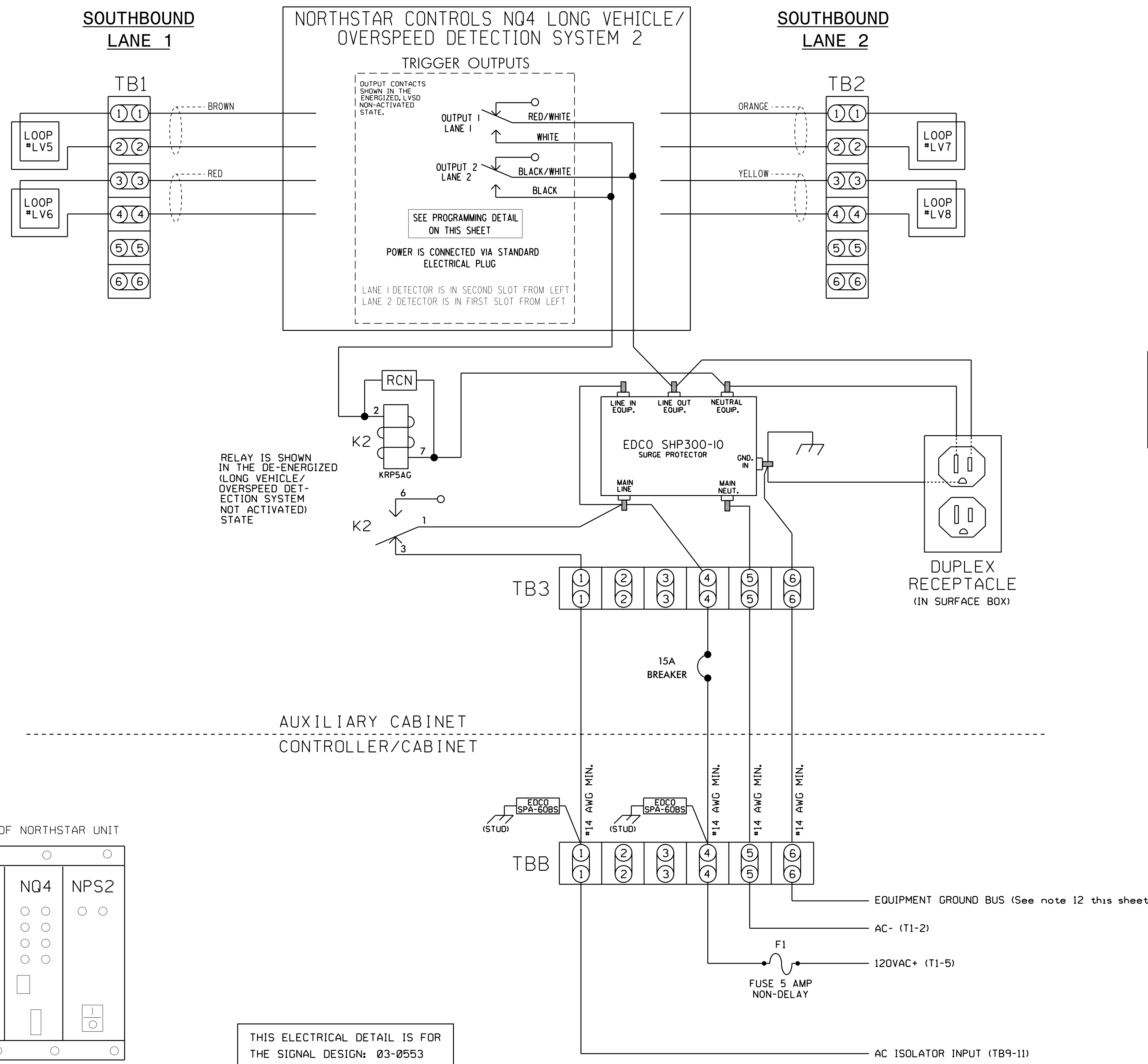


WIRING DETAIL FOR NORTHSTAR CONTROLS NQ4 LONG VEHICLE / OVERSPEED DETECTION SYSTEM NO. 2
(wire unit as shown below)



- NOTES**
- All loop lead-ins shall be twisted.
 - Loop spacing is critical to the proper operation of this Overspeed Detection System. Make sure loop spacing is correctly programmed in NQ4 Unit.
 - Insure that connectors on rear of NQ4 are seated securely.
 - NQ4 Unit shall be located in an auxiliary cabinet adjacent to Speed Warning System Loops.
 - Unit power is connected by standard electrical plug.
 - Terminal strips TB1, TB2, TB3, & TBB to be added by installer.
 - Relay 'K2' is a SPDT with an 120VAC coil. Potter & Brumfield no. KRP5AGAG, Dot Material no. 625028600.
 - The RC Network across the coil of 'K2' is a .1 micro farad, 100 ohm. Dot Material no. 106018075, P&B no. 104M060C100
 - EDCO SPA-60BS is a surge protector for 120VAC interconnect circuits. Dot Material no. 625022076.
 - EDCO SHP300-10 is an AC service surge protector. Dot Material no. 625022075.
 - Do not install ground rods at auxiliary cabinet.
 - Install equipment ground from controller cabinet to auxiliary cabinet if not already present.
 - Install disconnect if there is no disconnect present at auxiliary cabinet.

NORTHSTAR CONTROLS MODEL NQ4
PROGRAMMING DETAIL
(program unit as shown)

NOTE: UNIT MUST BE PROGRAMMED USING PC AND HYPERTERMINAL PROGRAM. FOR CONNECTION TO HYPERTERMINAL REFER TO NQ4 OPERATION MANUAL.

PROGRAM NQ4 BY TYPING THE FOLLOWING COMMANDS

- SET SPEED=55
- SET LENGTH=22'
- SET ALARMTIME=12
- SET SEPARATION=16' (LEADING EDGE TO LEADING EDGE) (THIS VALUE MAY VARY, PROGRAM ACTUAL MEASURED SEPARATION)
- SET LOOP LENGTH=6' (THIS VALUE MAY VARY, PROGRAM ACTUAL MEASURED LOOP LENGTH)
- SAVE

NOTE
PROGRAMMING APPLIES TO BOTH LANE 1 AND LANE 2

THIS ELECTRICAL DETAIL IS FOR THE SIGNAL DESIGN: 03-0553
DESIGNED: November 2009
SEALED: 12-18-09
REVISED: 7-20-15

Signal Upgrade - Sheet 4 of 5

ELECTRICAL AND PROGRAMMING DETAILS FOR: 	US 17 (Ocean Hwy.) at SR 1300 (Calabash Rd.) / SR 1168 (Country Club Rd.)		SEAL
	Division 3 Brunswick County Calabash PLAN DATE: January 2010 REVIEWED BY: JTR PREPARED BY: James Peterson REVIEWED BY:	DATE: 7/21/2015 REVISIONS: [] [] []	

SIG. INVENTORY NO. 03-0553

21-JUL-2015 11:51
 C:\Users\jpeterson\Documents\Sig\Map\jpeterson\030553_sml.ele_20100108.dgn
 J. Peterson