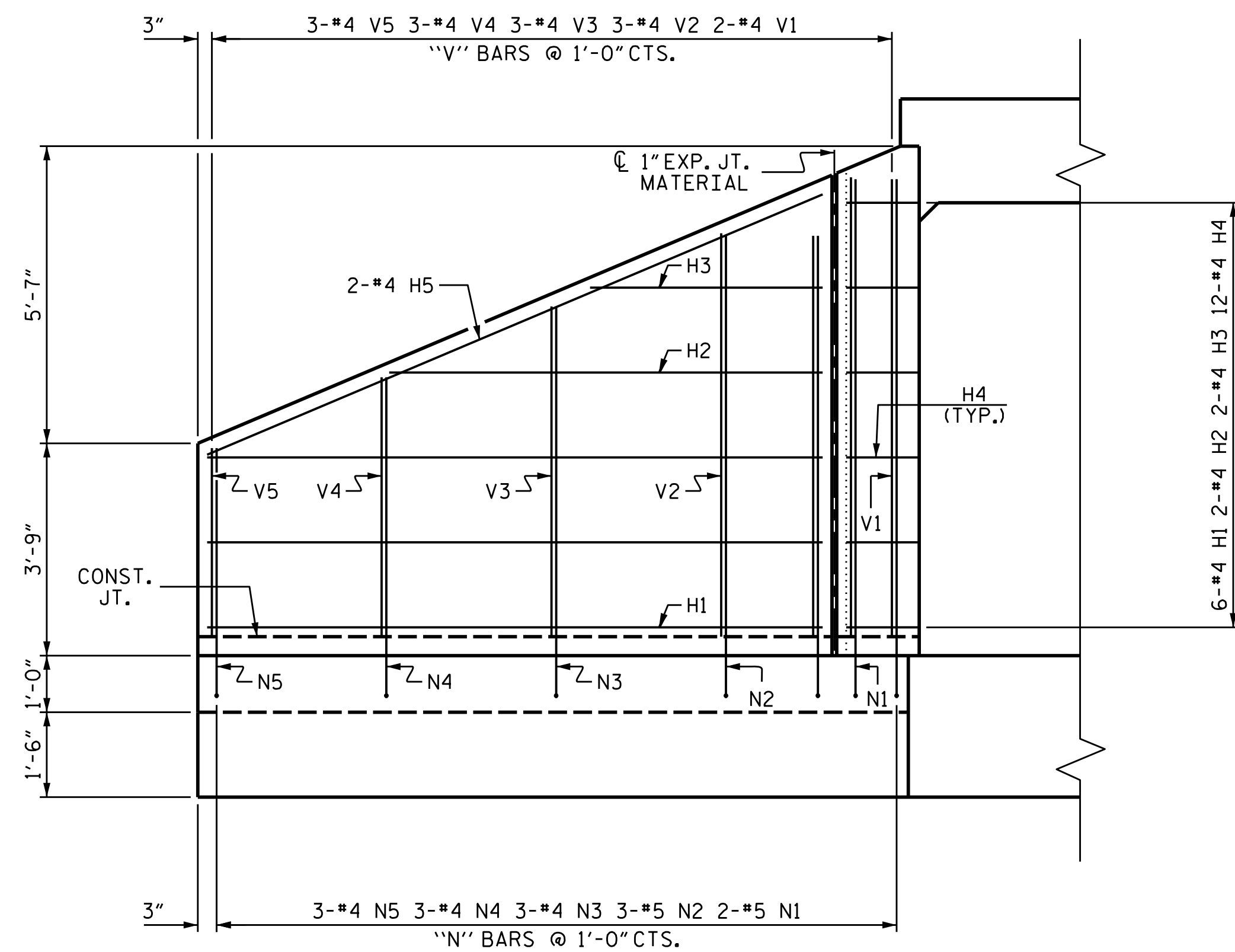
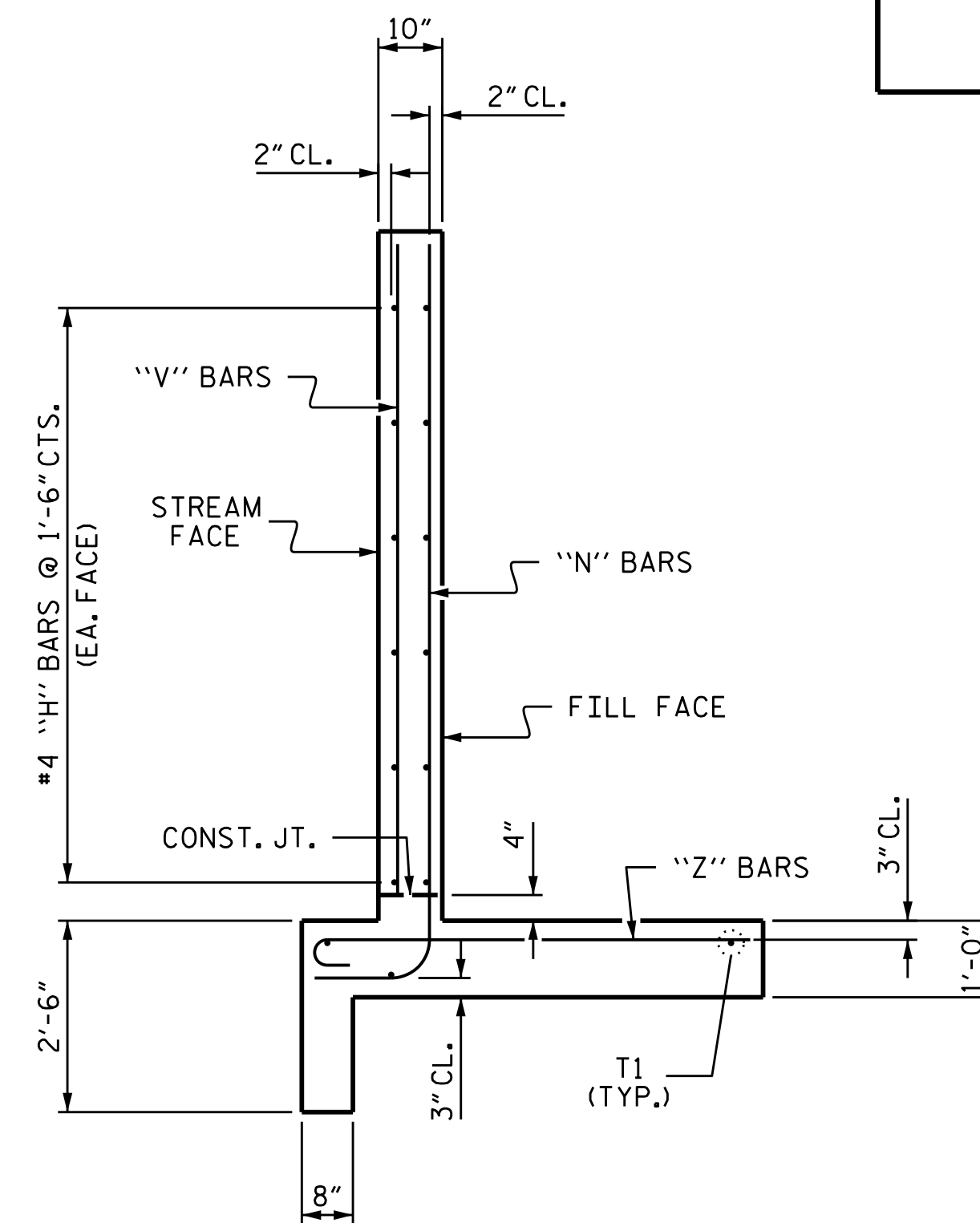


PLAN
(W1 SHOWN, W2 SIMILAR)



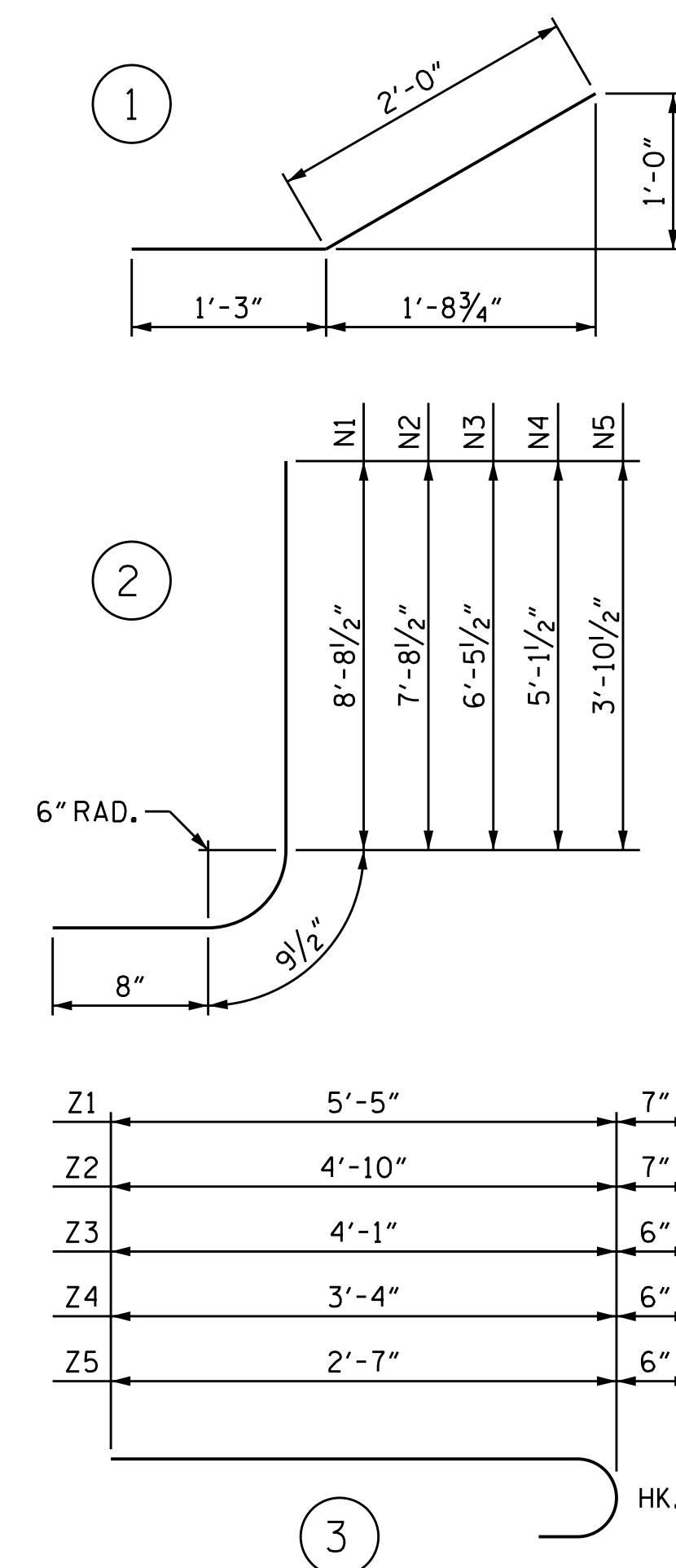
ELEVATION
(W1 SHOWN, W2 SIMILAR)



TYPICAL WING SECTION

BAR TYPES

ALL BAR DIMENSIONS ARE OUT TO OUT.

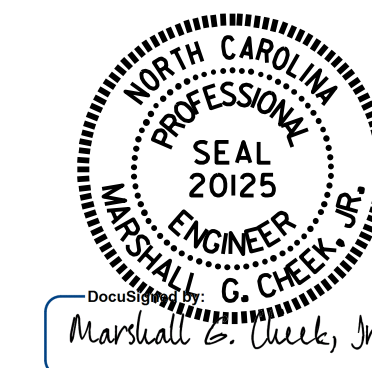


BILL OF MATERIAL

BAR	NO.	SIZE	TYPE	LENGTH	WEIGHT
H1	12	#4	STR	10'-10"	87
H2	4	#4	STR	7'-8"	20
H3	4	#4	STR	4'-1"	11
H4	24	#4	1	3'-3"	52
H5	4	#4	STR	11'-9"	31
N1	4	#5	2	10'-2"	42
N2	6	#5	2	9'-2"	57
N3	6	#4	2	7'-11"	32
N4	6	#4	2	6'-7"	26
N5	6	#4	2	5'-4"	21
S1	6	#6	STR	6'-0"	54
T1	6	#5	STR	12'-9"	80
V1	4	#4	STR	8'-1"	22
V2	6	#4	STR	7'-1"	28
V3	6	#4	STR	5'-10"	23
V4	6	#4	STR	4'-7"	18
V5	6	#4	STR	3'-4"	13
Z1	4	#5	3	6'-0"	25
Z2	6	#5	3	5'-5"	34
Z3	6	#4	3	4'-7"	18
Z4	6	#4	3	3'-10"	15
Z5	6	#4	3	3'-1"	12

REINFORCING STEEL FOR 2 WINGS	721 LBS.
CLASS A CONCRETE	10.7 C.Y.
2 WINGS	0.5 C.Y.
1 HEADWALL	0.4 C.Y.
1 END CURTAIN WALL	11.6 C.Y.
TOTAL	

ASSEMBLED BY : H. T. BARBOUR DATE : 5-6-14
 CHECKED BY : S. B. WILLIAMS DATE : 12-14
 DRAWN BY : CCJ 10/99
 CHECKED BY : RWW 03/00



7/22/2015

PROJECT NO. R-2603
WILKES COUNTY
 STATION: 59+43.00 -L-
 SHEET 9 OF 10

STATE OF NORTH CAROLINA DEPARTMENT OF TRANSPORTATION RALEIGH					
STANDARD WINGS FOR CONCRETE BOX CULVERT STAGE II					
H = 8'-0" SLOPE = 2:1 90° SKEW					
REVISIONS					
NO.	BY:	DATE:	NO.	BY:	DATE:
1			3		
2			4		

SHEET NO. C-9
TOTAL SHEETS 10