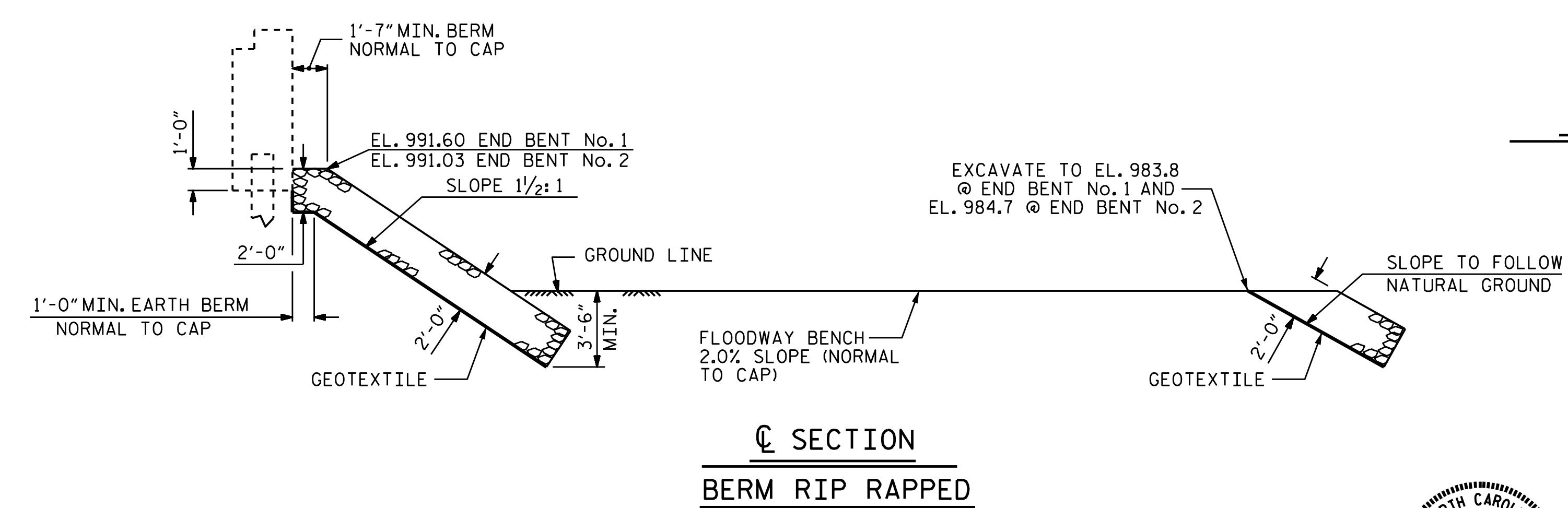
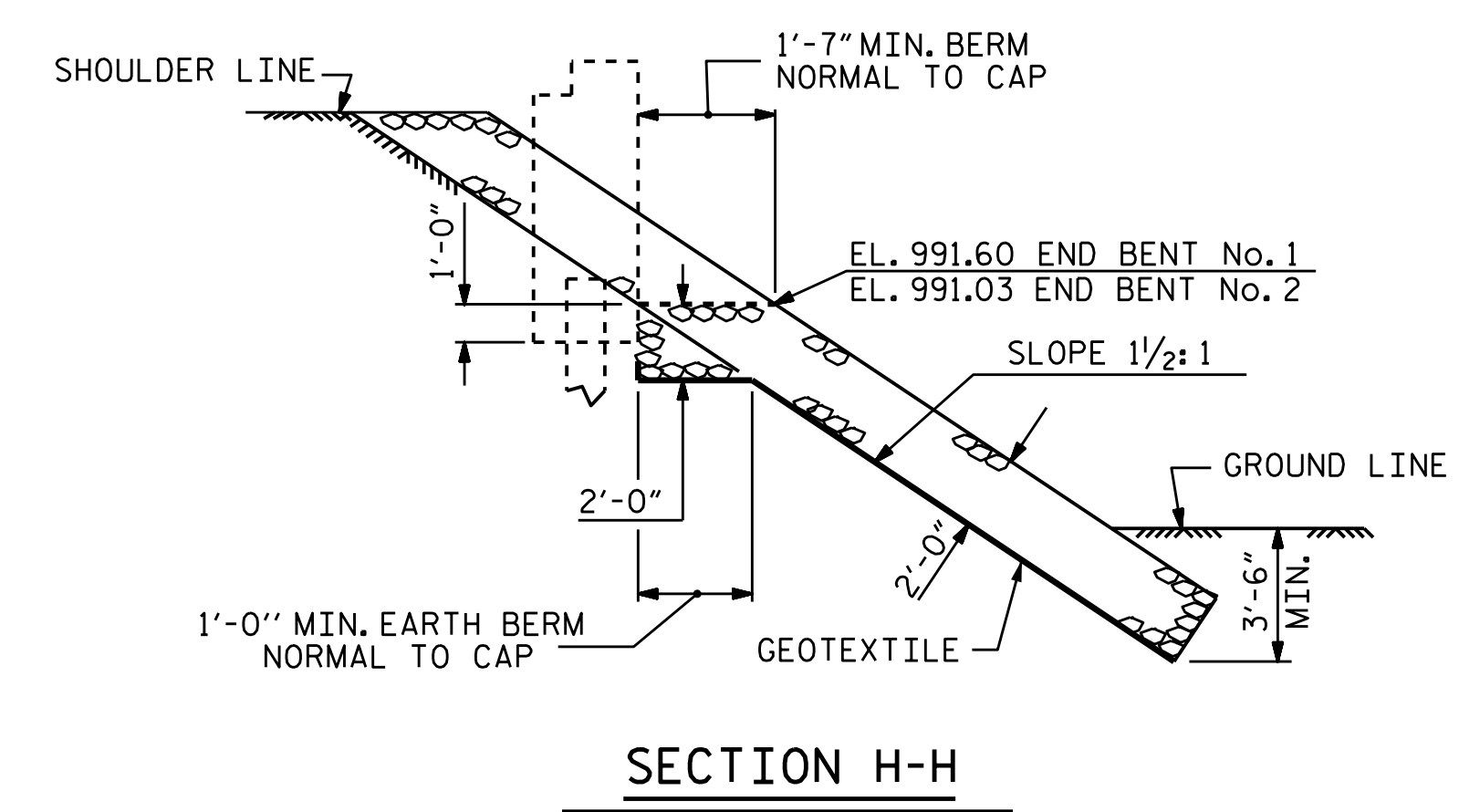
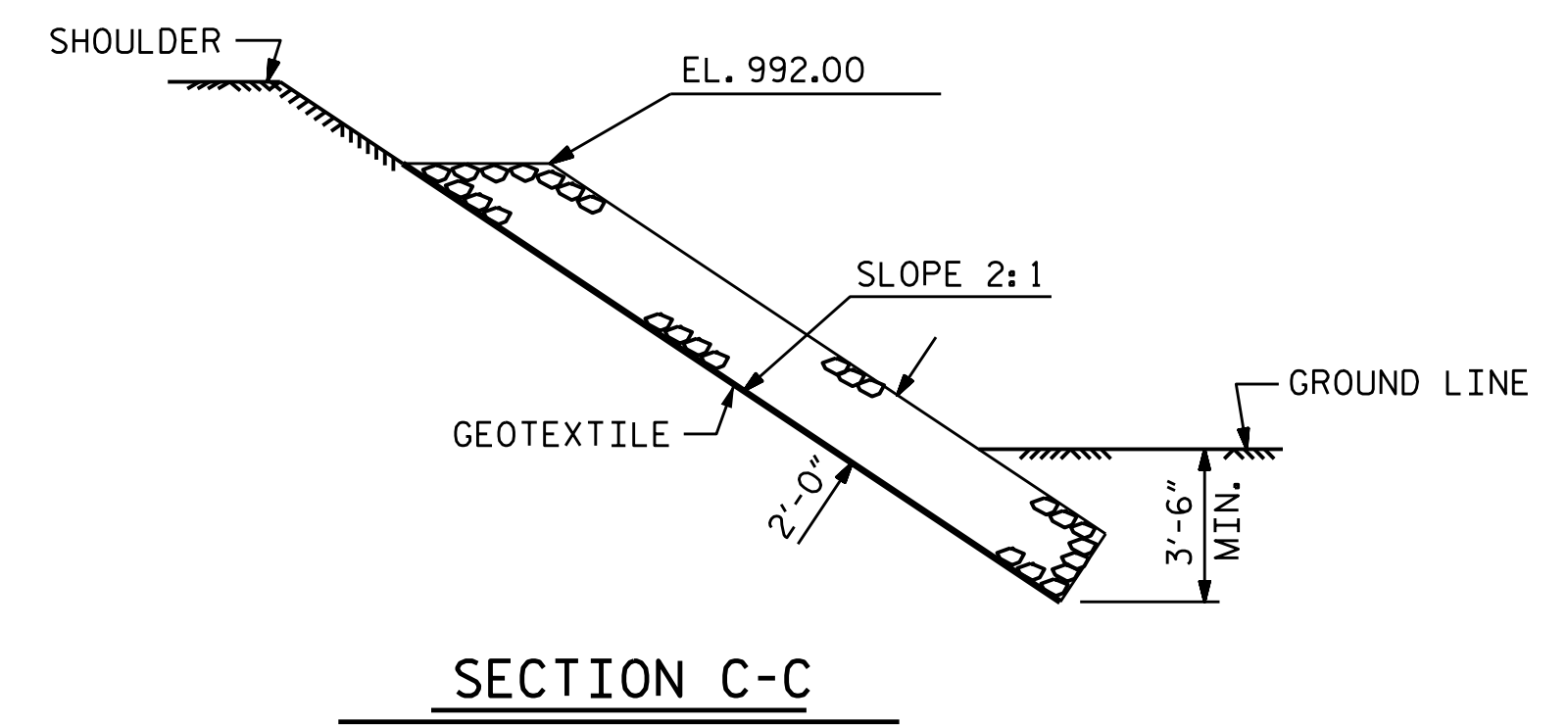
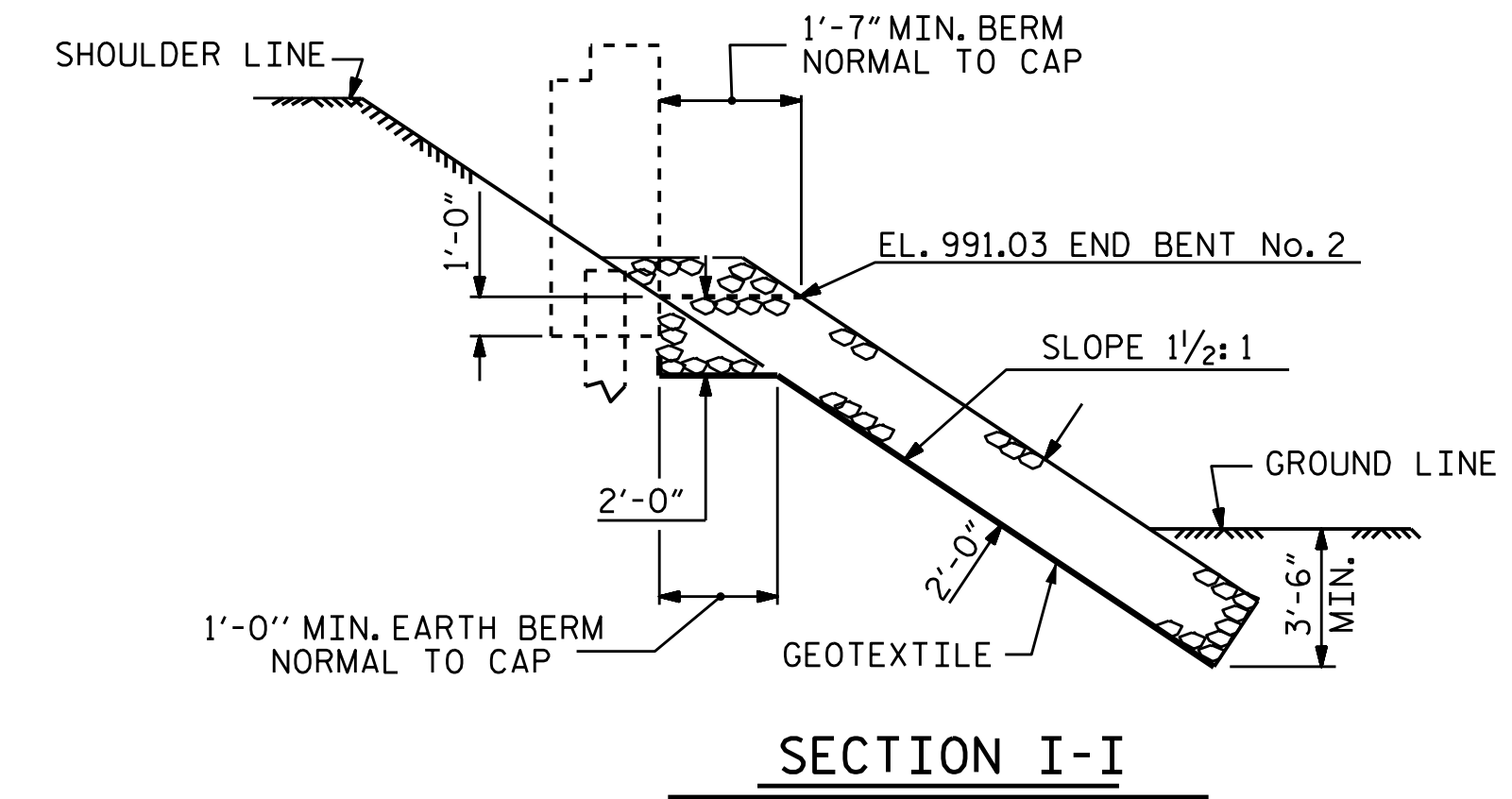
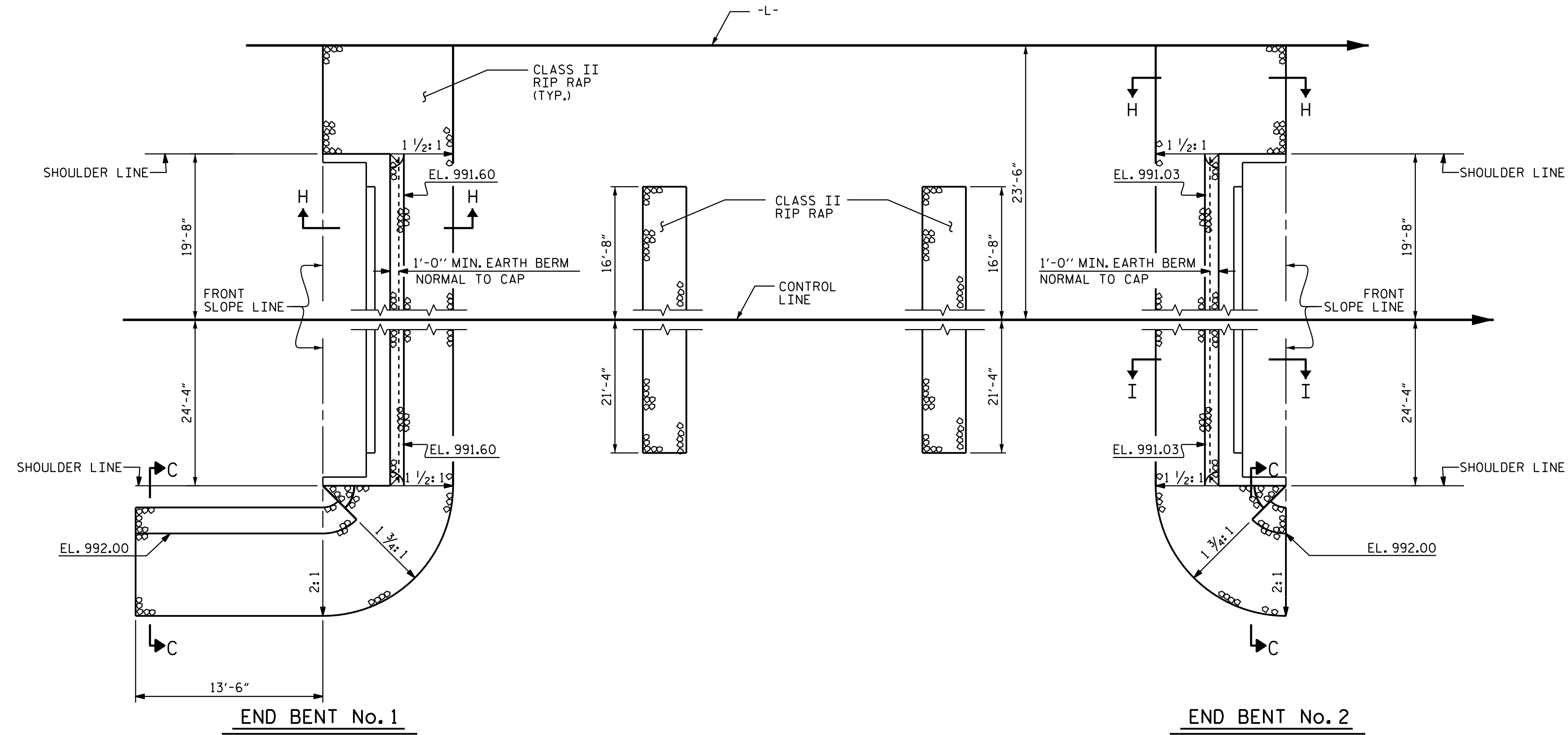
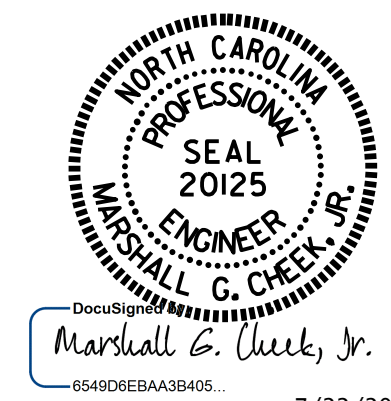


| ESTIMATED QUANTITIES | | |
|--------------------------------|--------------------------------------|----------------------------|
| BRIDGE @ STA. 117+35.00 -L- | RIP RAP CLASS II (2'-0" THICK) | GEOTEXTILE FOR DRAINAGE |
| | TONS | SQUARE YARDS |
| END BENT No. 1 | 130 | 145 |
| BENT No. 1 | 60 | 65 |
| BENT No. 2 | 60 | 65 |
| END BENT No. 2 | 110 | 120 |
| TOTAL | 360 | 395 |



PROJECT NO. R-2603
WILKES COUNTY
 STATION: 117+35.00 -L-



STATE OF NORTH CAROLINA
 DEPARTMENT OF TRANSPORTATION
 RALEIGH
 STANDARD
 —RIP RAP DETAILS—

| | |
|------------------------------|----------------------|
| ASSEMBLED BY : H. T. BARBOUR | DATE : 3-25-15 |
| CHECKED BY : D. HODGE | DATE : 4-15-15 |
| DRAWN BY : REK 1/84 | REV. 5/1/06R TLA/GM |
| CHECKED BY : ROU 1/84 | REV. 10/1/11 MAA/GM |
| | REV. 12/21/11 MAA/GM |

| REVISIONS | | | | | | SHEET NO. | |
|-----------|-----|-------|-----|-----|-------|-----------------|--|
| NO. | BY: | DATE: | NO. | BY: | DATE: | S-45 | |
| 1 | | | 3 | | | TOTAL SHEETS 47 | |
| 2 | | | 4 | | | | |