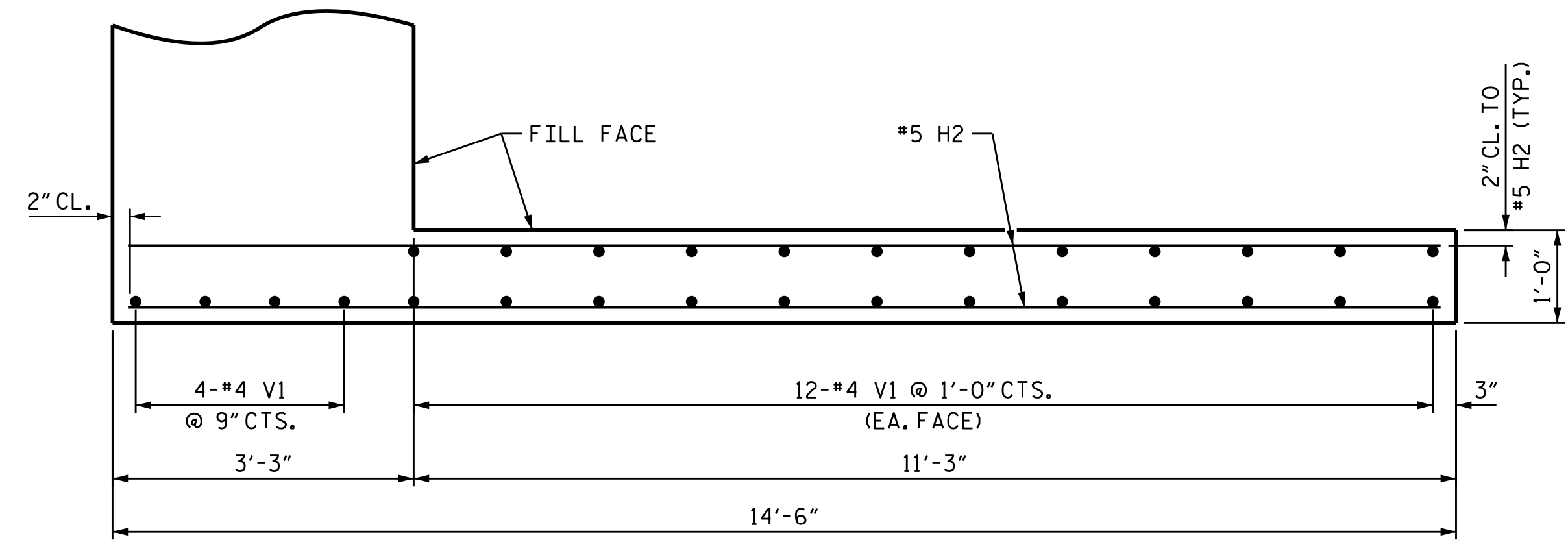
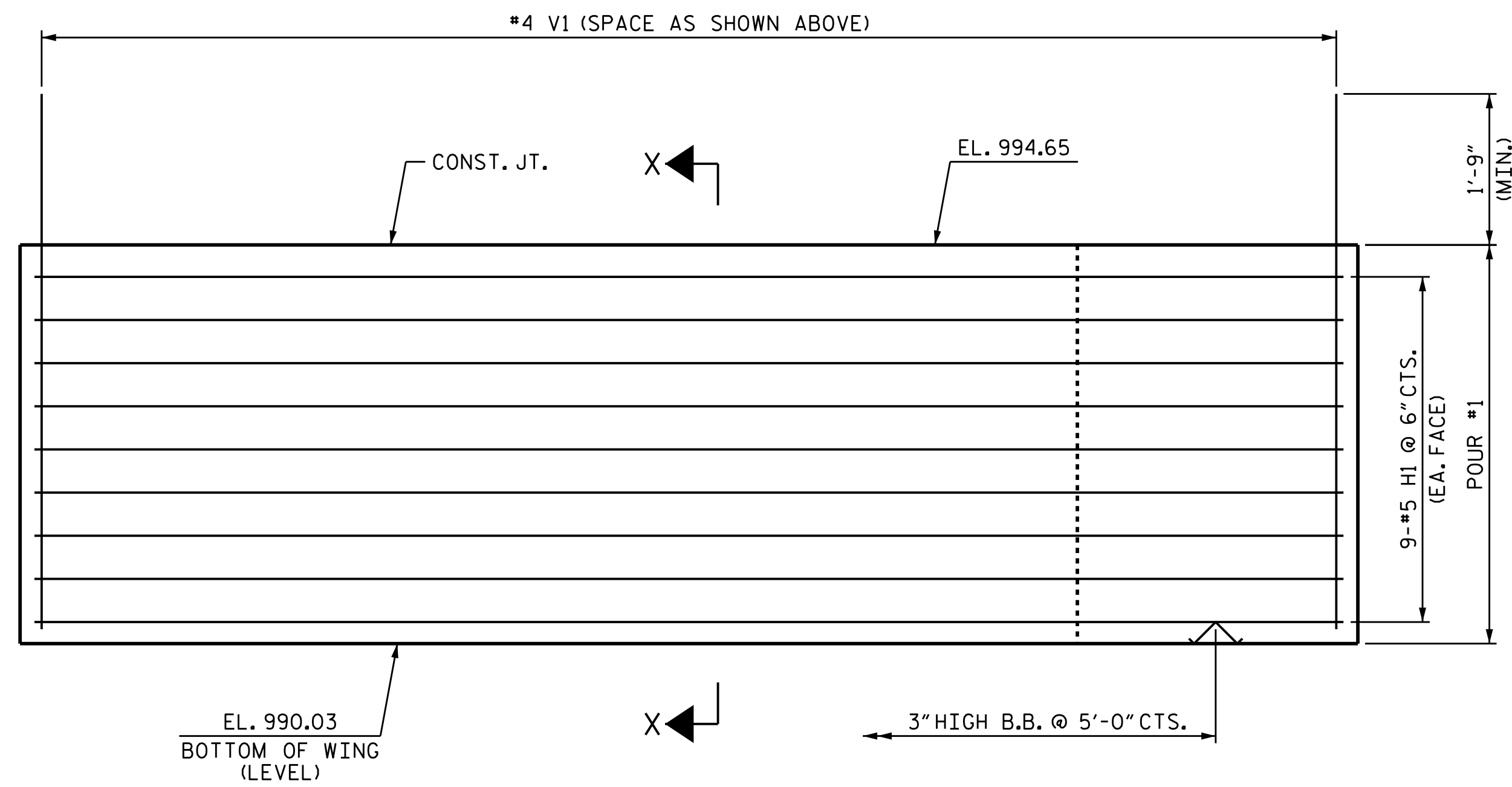


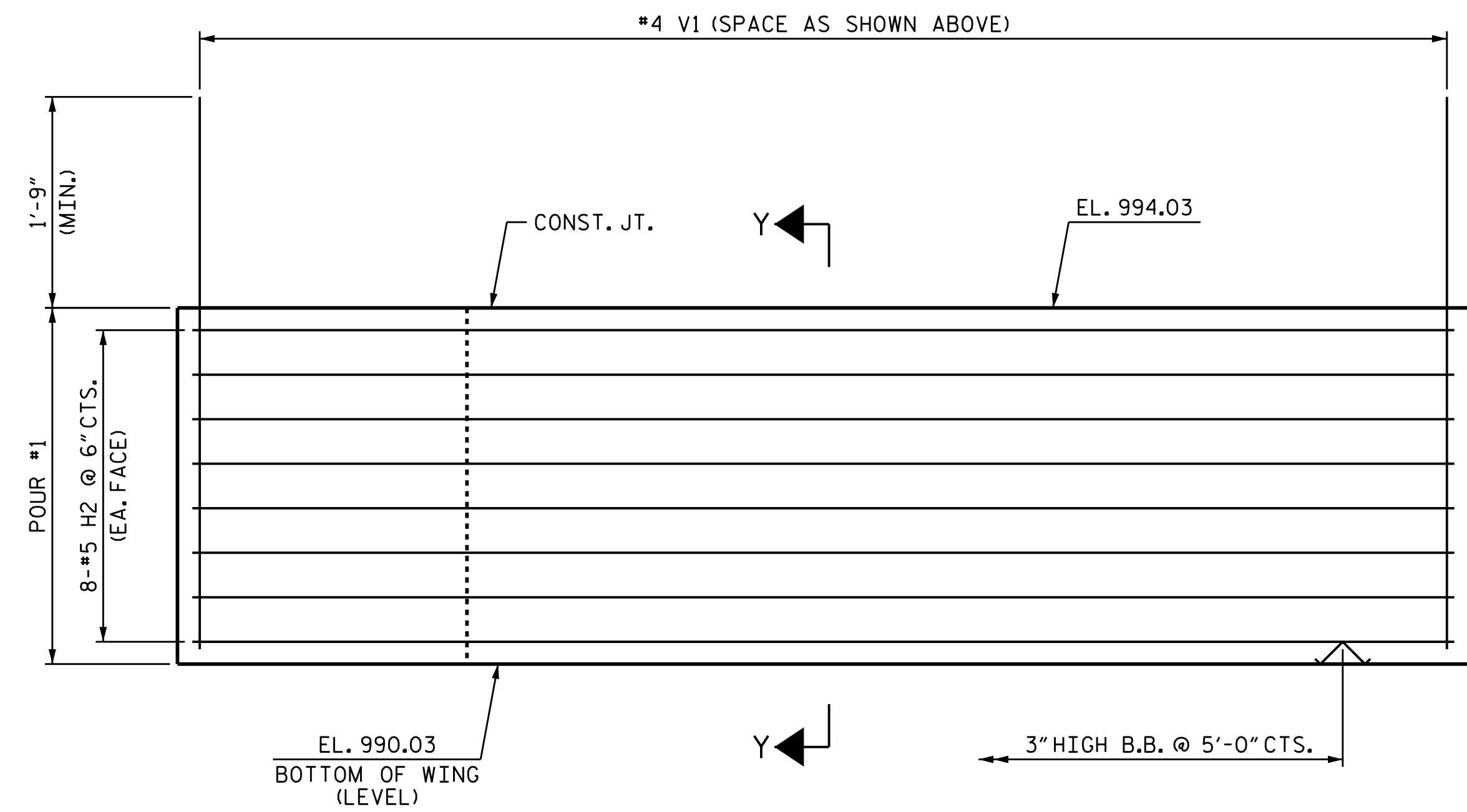
PLAN OF WING W3



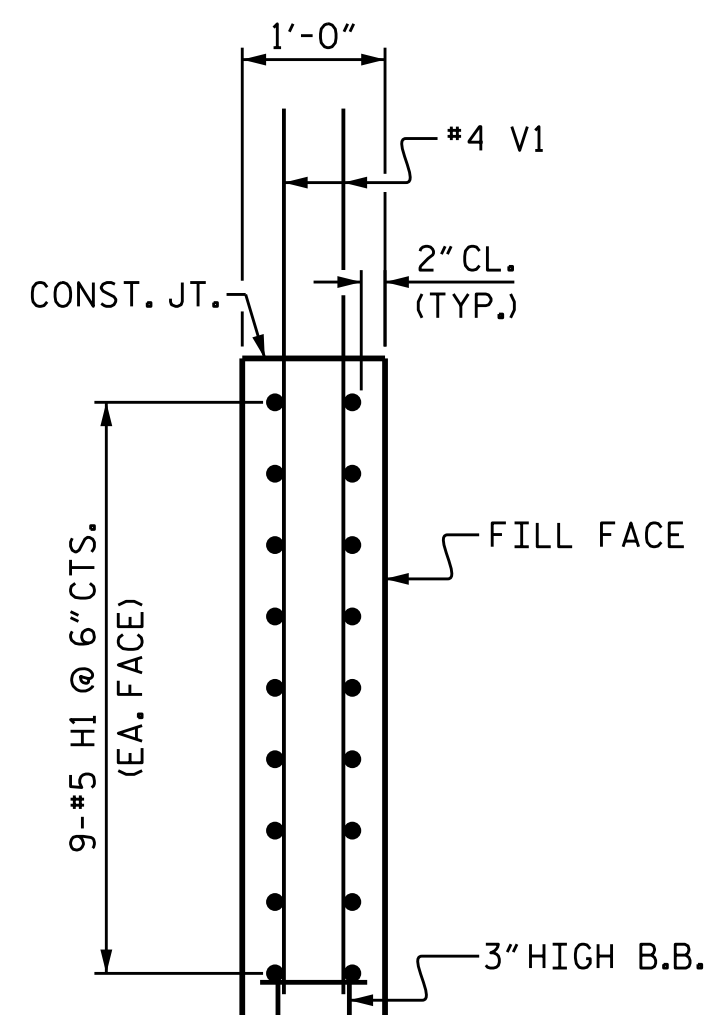
PLAN OF WING W4



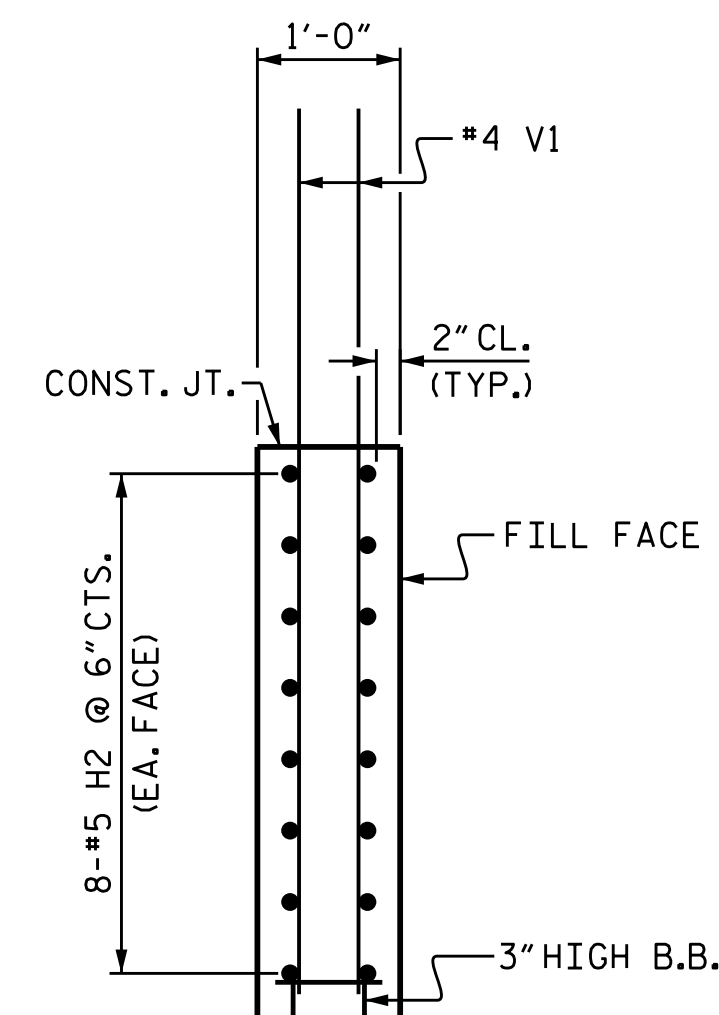
ELEVATION OF WING W3



ELEVATION OF WING W4



SECTION X-X



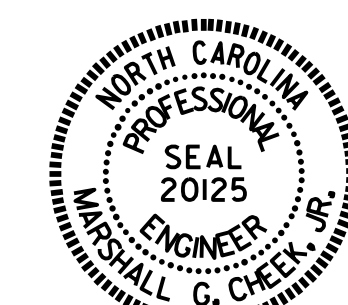
SECTION Y-Y

PROJECT NO. R-2603
WILKES COUNTY
 STATION: 117+35.00 -L-

SHEET 2 OF 3

STATE OF NORTH CAROLINA
 DEPARTMENT OF TRANSPORTATION
 RALEIGH

SUBSTRUCTURE
 INTEGRAL
 END BENT No. 2



Marshall G. Cheek, Jr.
 65489EBA38405 7/22/2015

REVISIONS						SHEET NO.
NO.	BY:	DATE:	NO.	BY:	DATE:	S-43
1			3			TOTAL SHEETS 47
2			4			

DRAWN BY : B.N. GRADY DATE : 12/14
 CHECKED BY : H.T. BARBOUR DATE : 2/15
 DESIGN ENGINEER OF RECORD: R.Z. DEAN DATE : 7/15

21-JUL-2015 08:32
 R:\Structures\Final Plans\Str#2\R2603.SD.E*.02.dgn
 bngrady

STR. #2