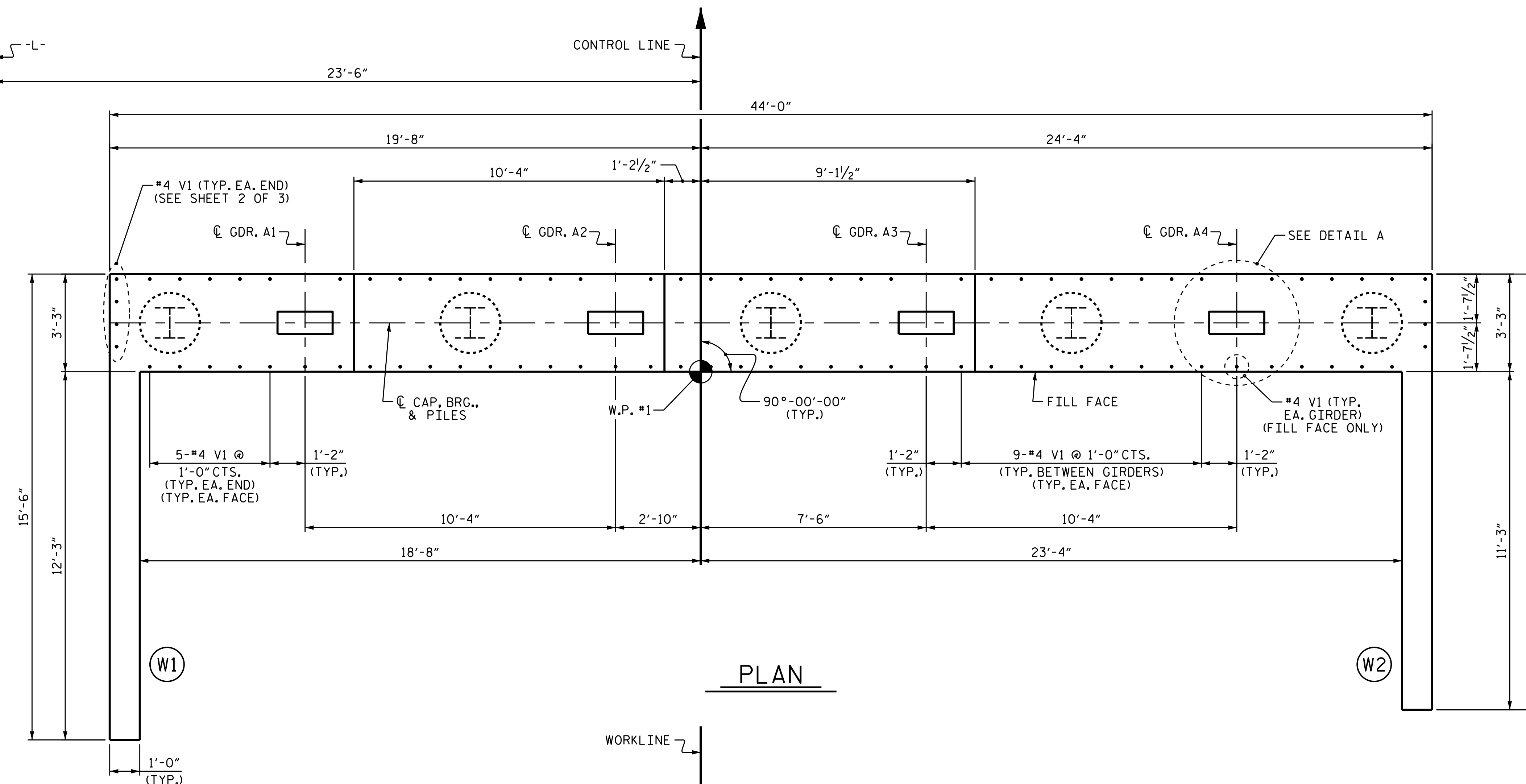


**NOTES**

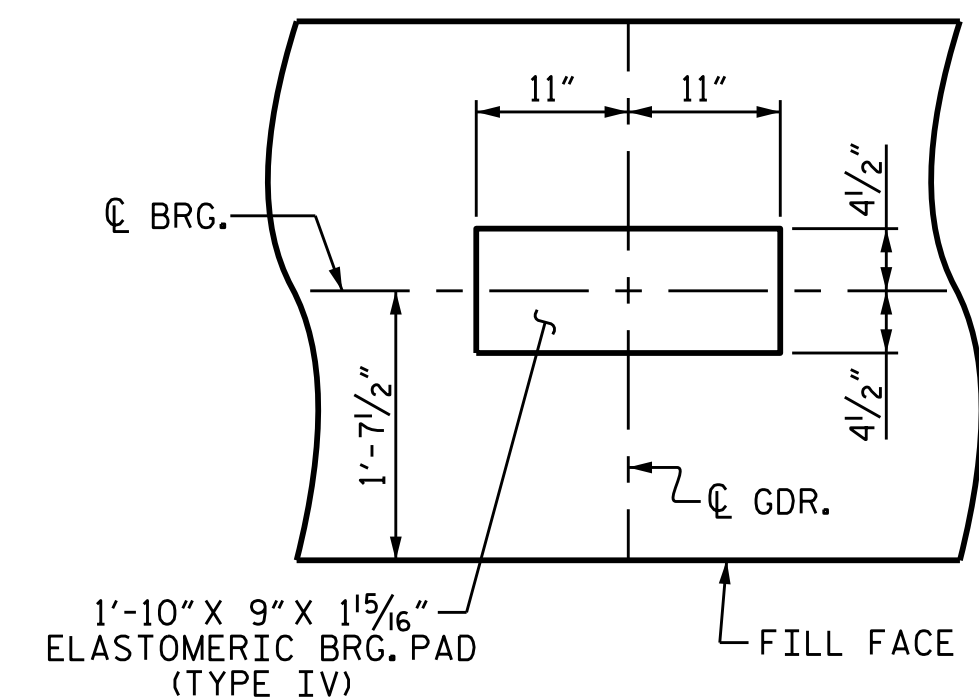
SEE SUPERSTRUCTURE SHEETS FOR UPPER PART OF INTEGRAL END BENT DETAILS.

THE CONTRACTOR SHALL PROVIDE FOR INSTALLATION OF THE 4" DIAMETER DRAIN PIPE THROUGH THE WING WALL AS REQUIRED FOR REINFORCED BRIDGE APPROACH FILLS. SEE THE ROADWAY PLANS. REINFORCING STEEL IN THE WING WALL MAY BE SHIFTED AS NECESSARY TO CLEAR THE DRAIN PIPE.

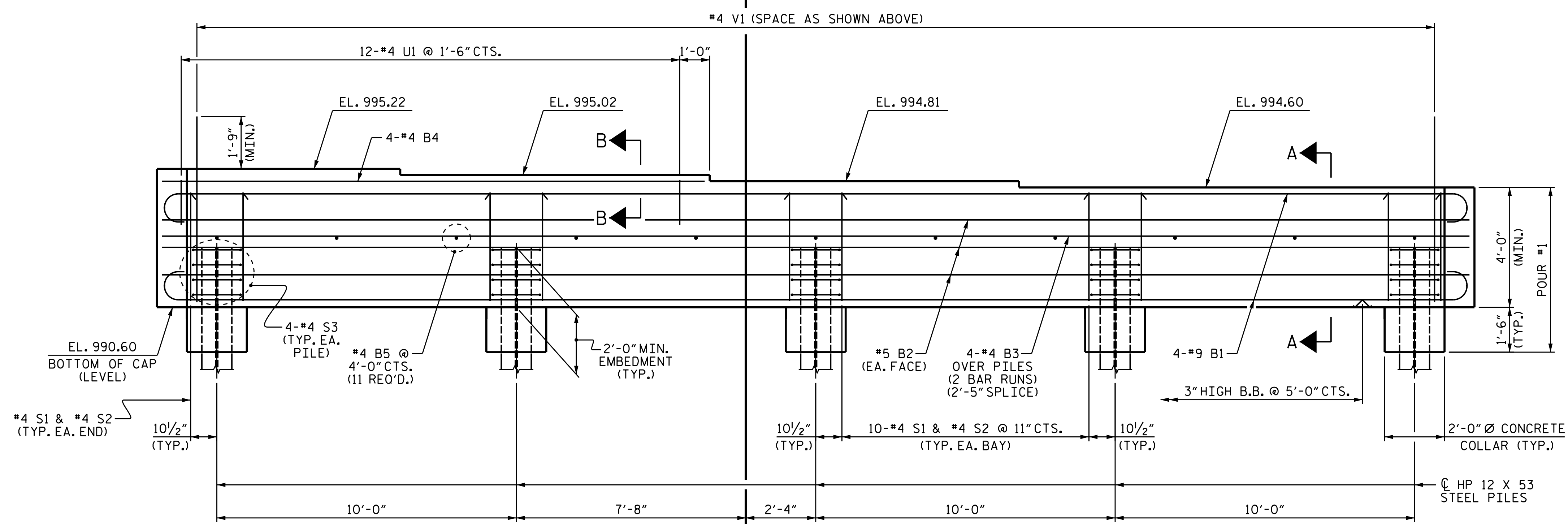
THE CONTRACTOR'S ATTENTION IS CALLED TO THE FACT THAT THE UPPER PART OF THE END BENT WINGS ARE TO BE POURED WITH POUR #4 OF THE SUPERSTRUCTURE.



**PLAN**



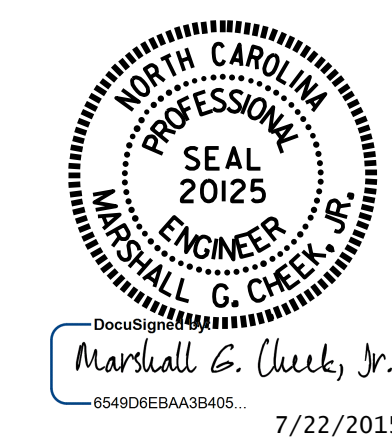
**DETAIL A**  
(TYP. EA. BEARING)



**ELEVATION**

PROJECT NO. R-2603  
WILKES COUNTY  
 STATION: 117+35.00 -L-  
 SHEET 1 OF 3

STATE OF NORTH CAROLINA DEPARTMENT OF TRANSPORTATION RALEIGH						SHEET NO.
SUBSTRUCTURE INTEGRAL END BENT No. 1						S-35
REVISIONS						TOTAL SHEETS
NO.	BY:	DATE:	NO.	BY:	DATE:	47
1			3			
2			4			



DRAWN BY : B.N. GRADY  
 CHECKED BY : H.T. BARBOUR  
 DESIGN ENGINEER OF RECORD: R.Z. DEAN

DATE : 12/14  
 DATE : 2/15  
 DATE : 7/15