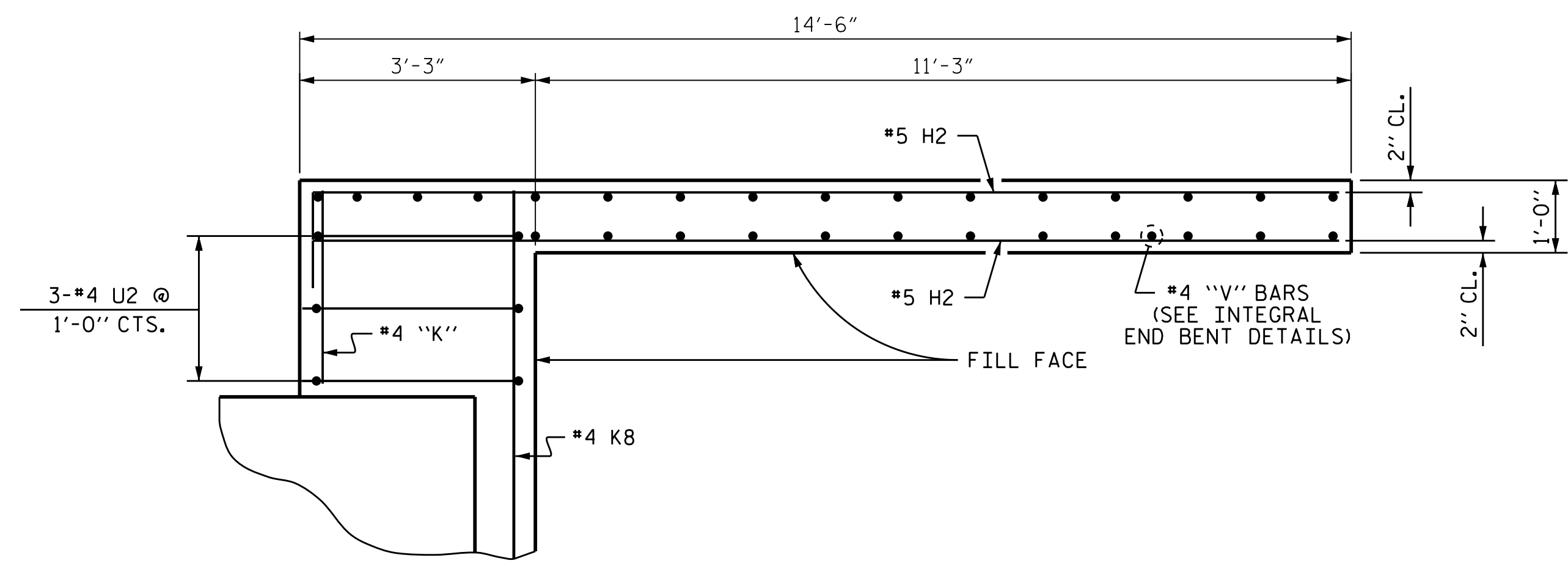
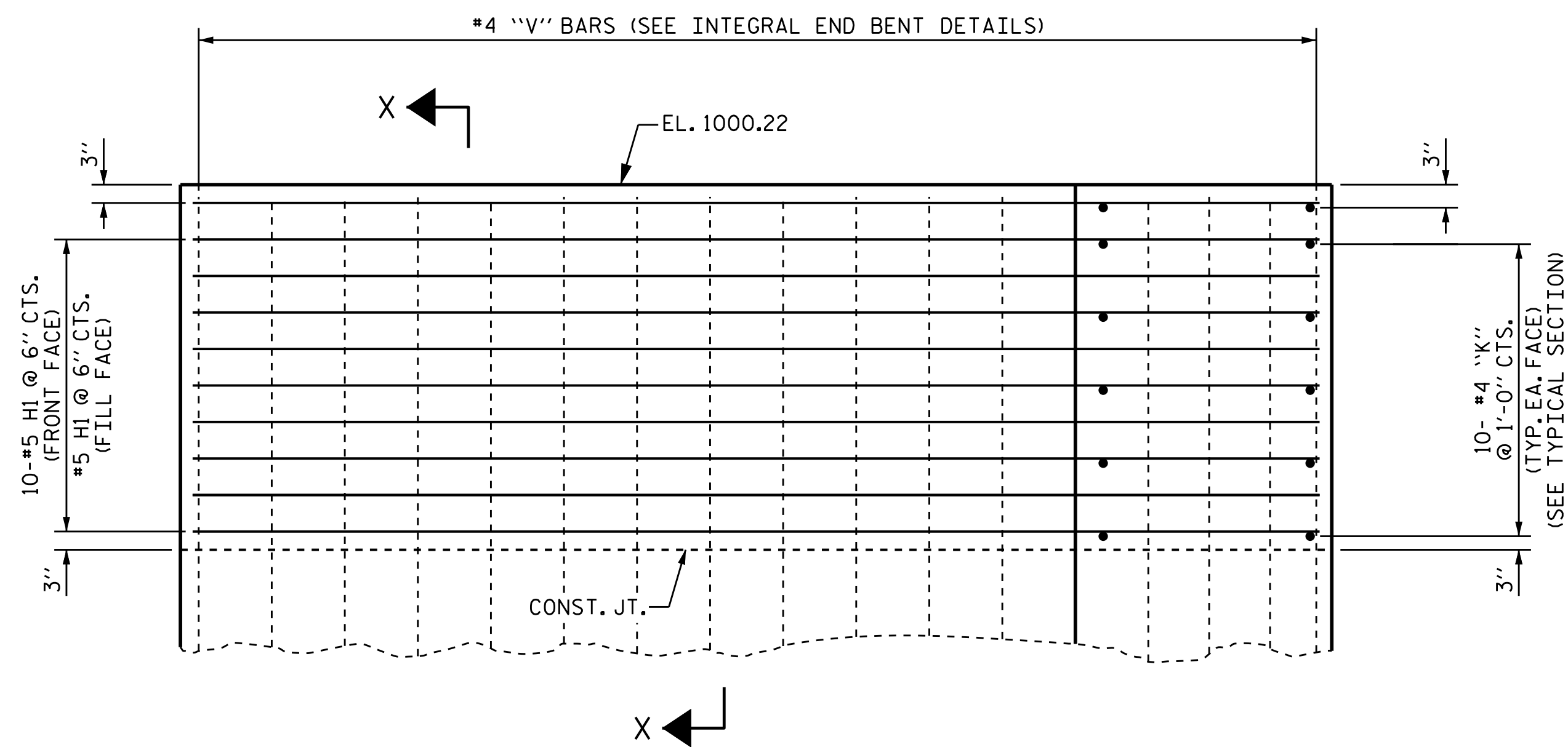


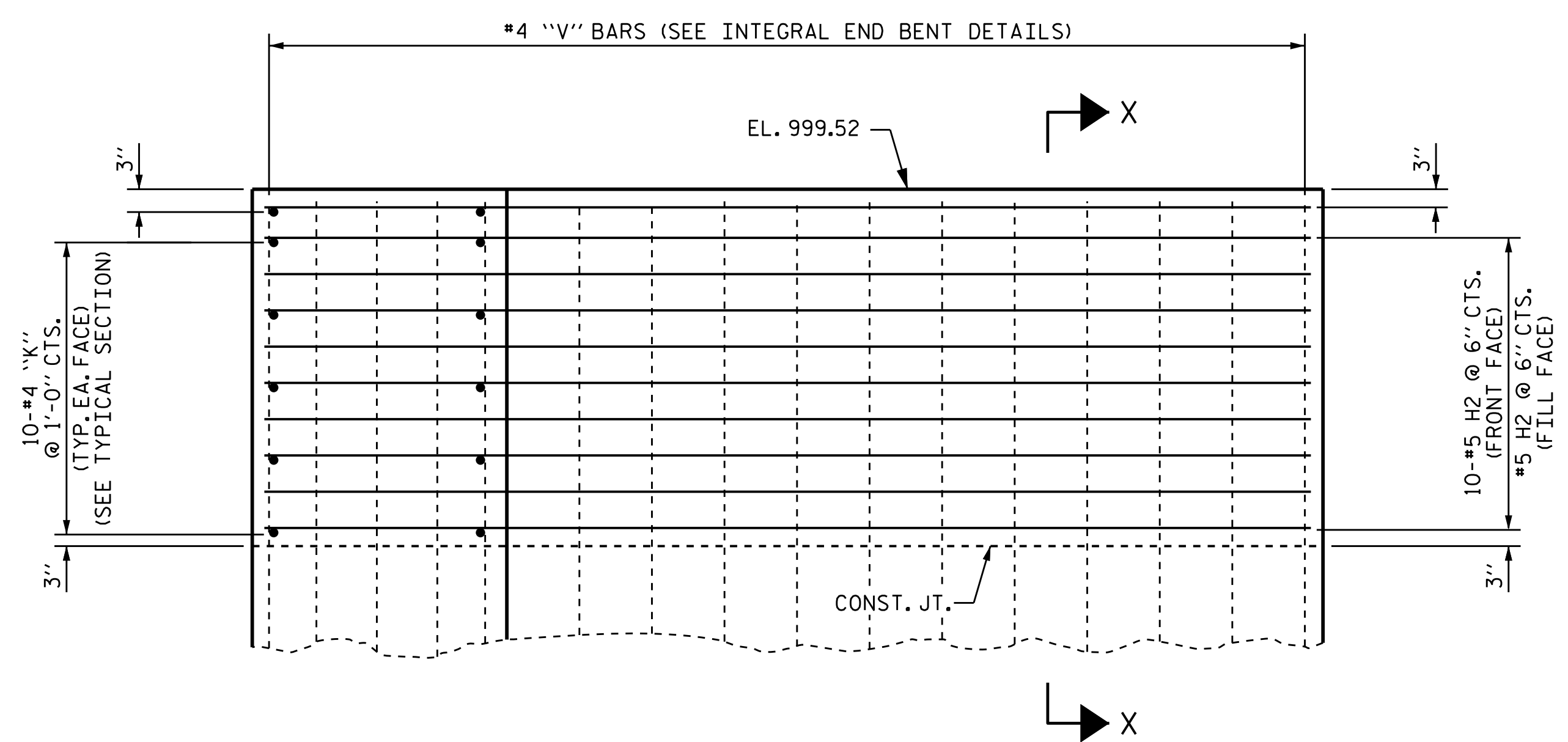
PLAN OF LEFT WING (W1)



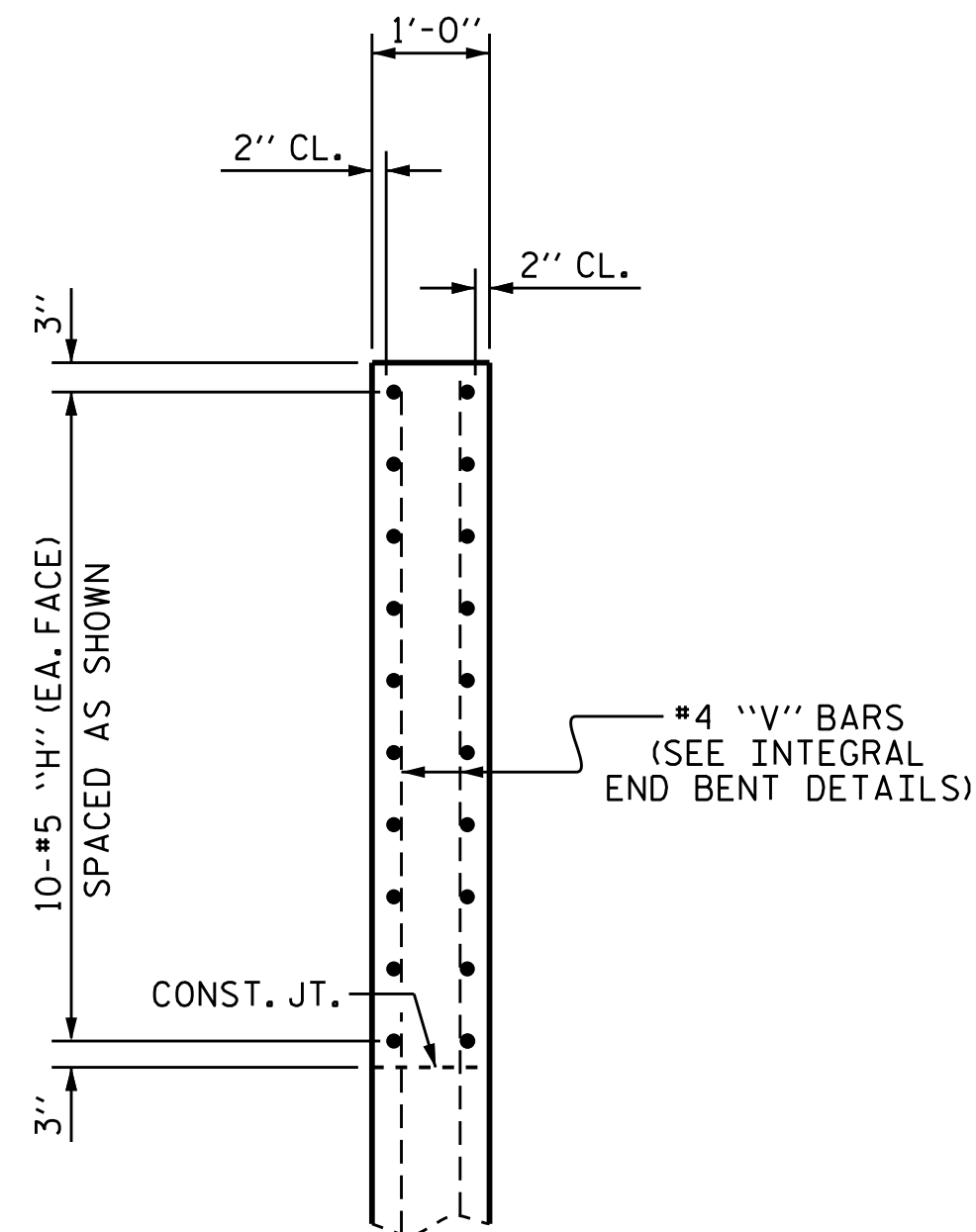
PLAN OF RIGHT WING (W2)



ELEVATION OF LEFT WING (W1)

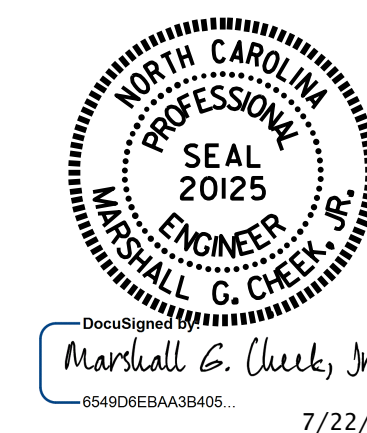


ELEVATION OF RIGHT WING (W2)



SECTION X-X

DRAWN BY: D. A. GLADDEN DATE: 7-3-13  
 CHECKED BY: H. T. BARBOUR DATE: 8-13  
 DESIGN ENGINEER OF RECORD: B.A. DUKE DATE: 7-15



PROJECT NO. R-2603  
 WILKES COUNTY  
 STATION: 117+35.00 -L-

SHEET 1 OF 2

STATE OF NORTH CAROLINA  
 DEPARTMENT OF TRANSPORTATION  
 RALEIGH

SUPERSTRUCTURE  
 TOP OF WINGS  
 AT END BENT No. 1

REVISIONS						SHEET NO.	
NO.	BY:	DATE:	NO.	BY:	DATE:	S-16	
1			3			TOTAL SHEETS 47	
2			4				

STR. #2