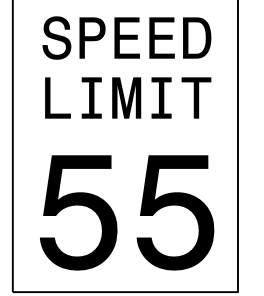


APPROVED: Ron Ewing
DocuSigned by:
 13E7AF7B6A4448
 DATE: 5/29/2015




401 QUANTITY REQ'D 1



24" X 30"
R2-1

ONE "U" POST PER SIGN

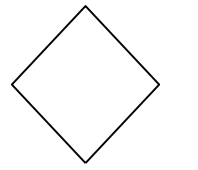
406 QUANTITY REQ'D 11



36" X 36"
R5-1

ONE "U" POST PER SIGN

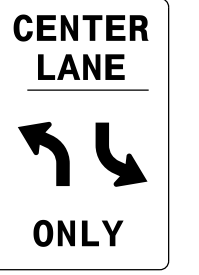
411 QUANTITY REQ'D 24



18" X 18"
OM1-3

MOUNT BELOW SIGN 410
IN 24 INSTALLATIONS


416 QUANTITY REQ'D 2



24" X 36"
R3-9B

ONE "U" POST PER SIGN


421 QUANTITY REQ'D 1



24" X 30"
R4-1

ONE "U" POST PER SIGN


426 QUANTITY REQ'D 4



30" X 30"
I-5

ONE "U" POST PER SIGN

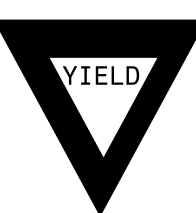
402 QUANTITY REQ'D 4



30" X 36"
R2-1

ONE "U" POST PER SIGN


407 QUANTITY REQ'D 2



36" X 36" X 36"
R1-2

ONE "U" POST PER SIGN

412 QUANTITY REQ'D 2

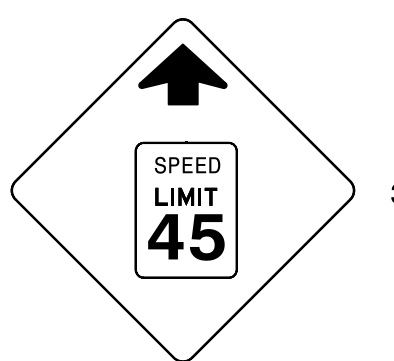


36" X 36"
W11-2

YELLOW/GREEN REFLECTIVE SHEETING

ONE "U" POST PER SIGN

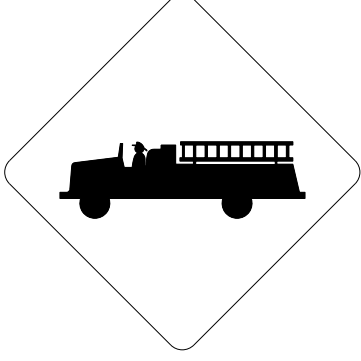
417 QUANTITY REQ'D 1



36" X 36"
W3-5

ONE "U" POST PER SIGN

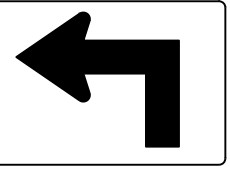
422 QUANTITY REQ'D 2



36" X 36"
W11-8

ONE "U" POST PER SIGN

427 QUANTITY REQ'D 1

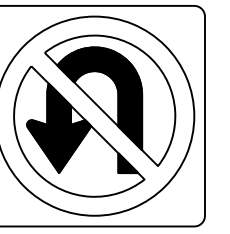


15" X 21"
M5-1

GREEN REFLECTIVE SHEETING

MOUNT BELOW SIGN 426
IN 1... INSTALLATIONS


431 QUANTITY REQ'D 6



24" X 24"
R3-4

MOUNT BEHIND SIGN 410
IN 3... INSTALLATIONS


403 QUANTITY REQ'D 7



30" X 36"
R2-1

ONE "U" POST PER SIGN

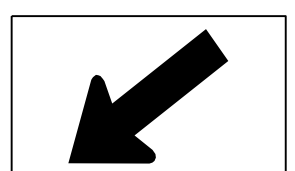
408 QUANTITY REQ'D 2



54" X 18"
R6-1 (R)

TWO "U" POSTS PER SIGN

413 QUANTITY REQ'D 2

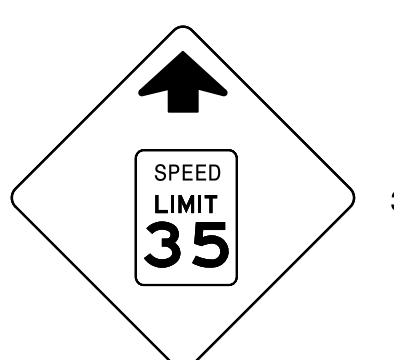


24" X 12"
W16-7

YELLOW/GREEN REFLECTIVE SHEETING

MOUNT BELOW SIGN 412
IN 1... INSTALLATIONS

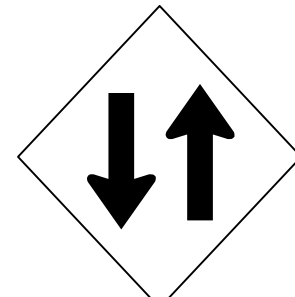
418 QUANTITY REQ'D 1



36" X 36"
W3-5

ONE "U" POST PER SIGN

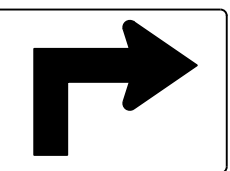
423 QUANTITY REQ'D 1



36" X 36"
W6-3

ONE "U" POST PER SIGN

428 QUANTITY REQ'D 1




15" X 21"
M5-1 (R)

GREEN REFLECTIVE SHEETING

MOUNT BELOW SIGN 426
IN 1... INSTALLATIONS

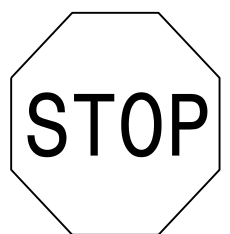
432 QUANTITY REQ'D 6



24" X 18"
SEE SIGN DESIGN

MOUNT BELOW SIGN 431
IN 6... INSTALLATIONS


404 QUANTITY REQ'D 14



30" X 30"
R1-1

ONE "U" POST PER SIGN

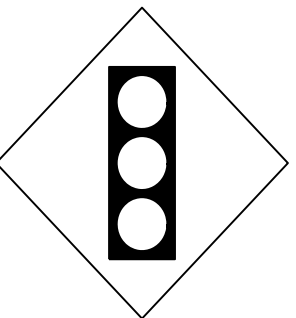
409 QUANTITY REQ'D 1



54" X 18"
R6-1 (L)

TWO "U" POSTS PER SIGN


414 QUANTITY REQ'D 6



30" X 30"
W3-3

ONE "U" POST PER SIGN

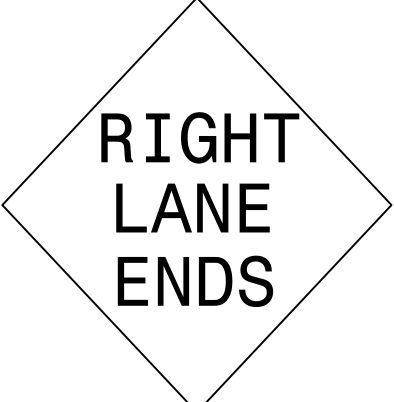
419 QUANTITY REQ'D 1



36" X 36"
W6-1

ONE "U" POST PER SIGN

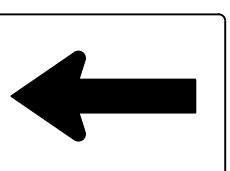
424 QUANTITY REQ'D 2



36" X 36"
W9-1 (R)

ONE "U" POST PER SIGN

429 QUANTITY REQ'D 1

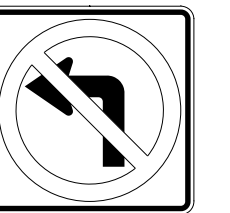


15" X 21"
M6-1 (L)

GREEN REFLECTIVE SHEETING

MOUNT BELOW SIGN 426
IN 1... INSTALLATIONS

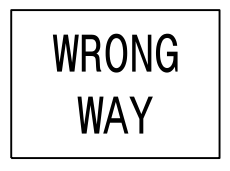
433 QUANTITY REQ'D 2



24" X 24"
R3-2

MOUNT BELOW SIGN 404
IN 2... INSTALLATIONS

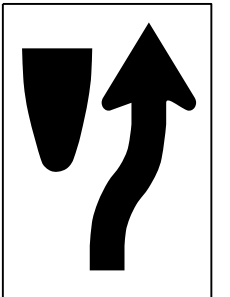
405 QUANTITY REQ'D 16



42" X 30"
R5-1A

ONE "U" POST PER SIGN

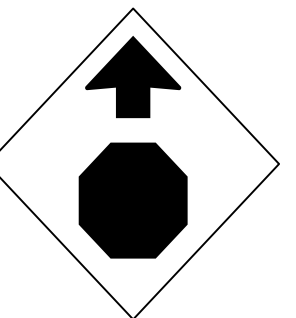
410 QUANTITY REQ'D 24



24" X 30"
R4-7

ONE "U" POST PER SIGN

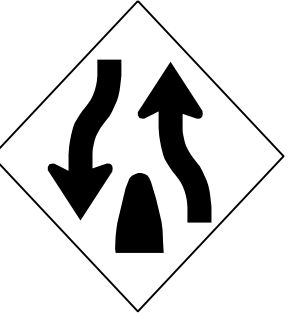
415 QUANTITY REQ'D 2



30" X 30"
W3-1

ONE "U" POST PER SIGN

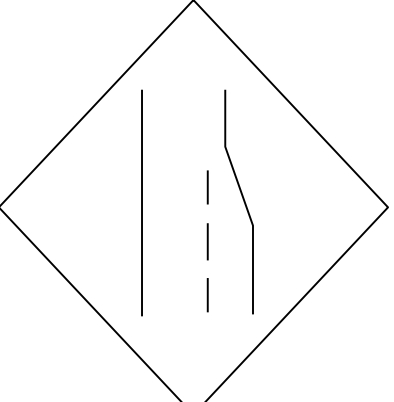
420 QUANTITY REQ'D 1



36" X 36"
W6-2

ONE "U" POST PER SIGN

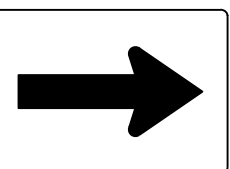
425 QUANTITY REQ'D 2



36" X 36"
W4-2 (R)

ONE "U" POST PER SIGN

430 QUANTITY REQ'D 1

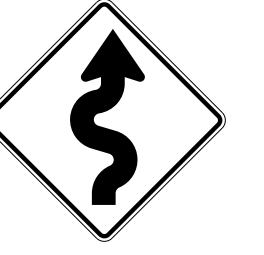


15" X 21"
M6-1

GREEN REFLECTIVE SHEETING

MOUNT BELOW SIGN 426
IN 1... INSTALLATIONS

434 QUANTITY REQ'D 2



30" X 30"
W1-5 (R)

ONE "U" POST PER SIGN

TYPE "E" SIGNS

P:\Projects\2015 05-07 22603\Traffic\Signing\CADD\Quantities & GM_Signs\R-2603_04res.dgn
 10:47:40 AM 5/29/2015