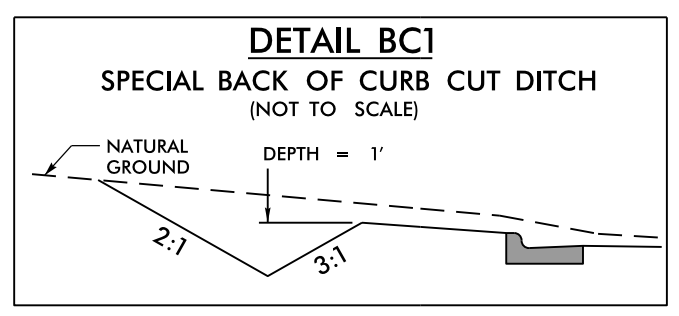
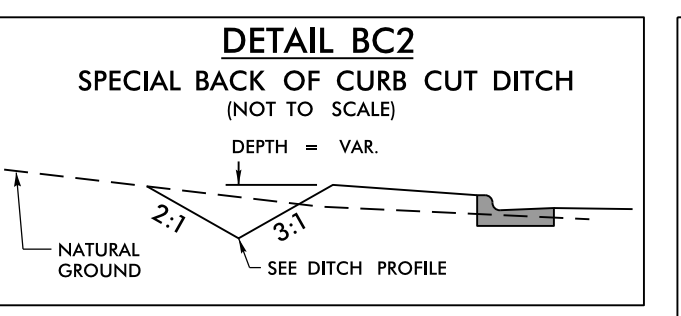


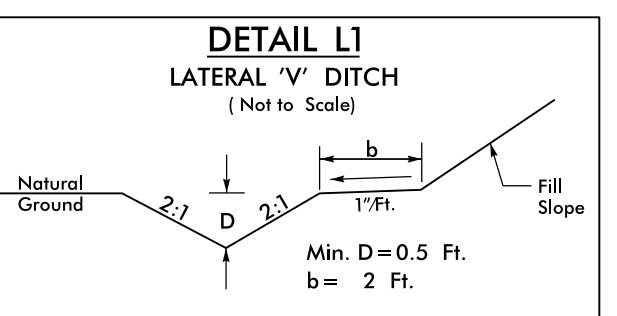
PROJECT REFERENCE NO. R-2603	SHEET NO. EC-10/CONST.9
RW SHEET NO.	
ROADWAY DESIGN ENGINEER	HYDRAULICS ENGINEER



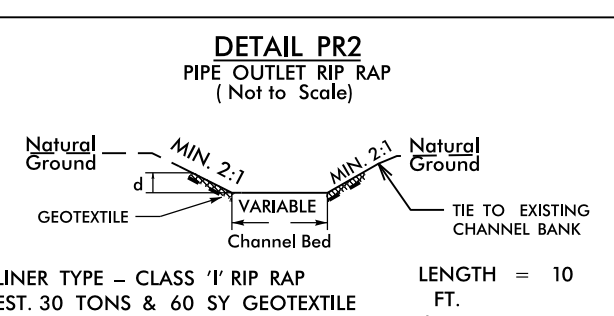
FROM -L- STA. 82+00 TO STA. 83+50 LT
 FROM -L- STA. 83+80 TO STA. 84+50 LT
 FROM -L- STA. 84+80 TO STA. 85+80 LT
 FROM -L- STA. 90+00 TO STA. 90+65 RT
 FROM -L- STA. 91+19 TO STA. 93+50 RT



FROM -L- STA. 89+14 TO STA. 90+00 RT

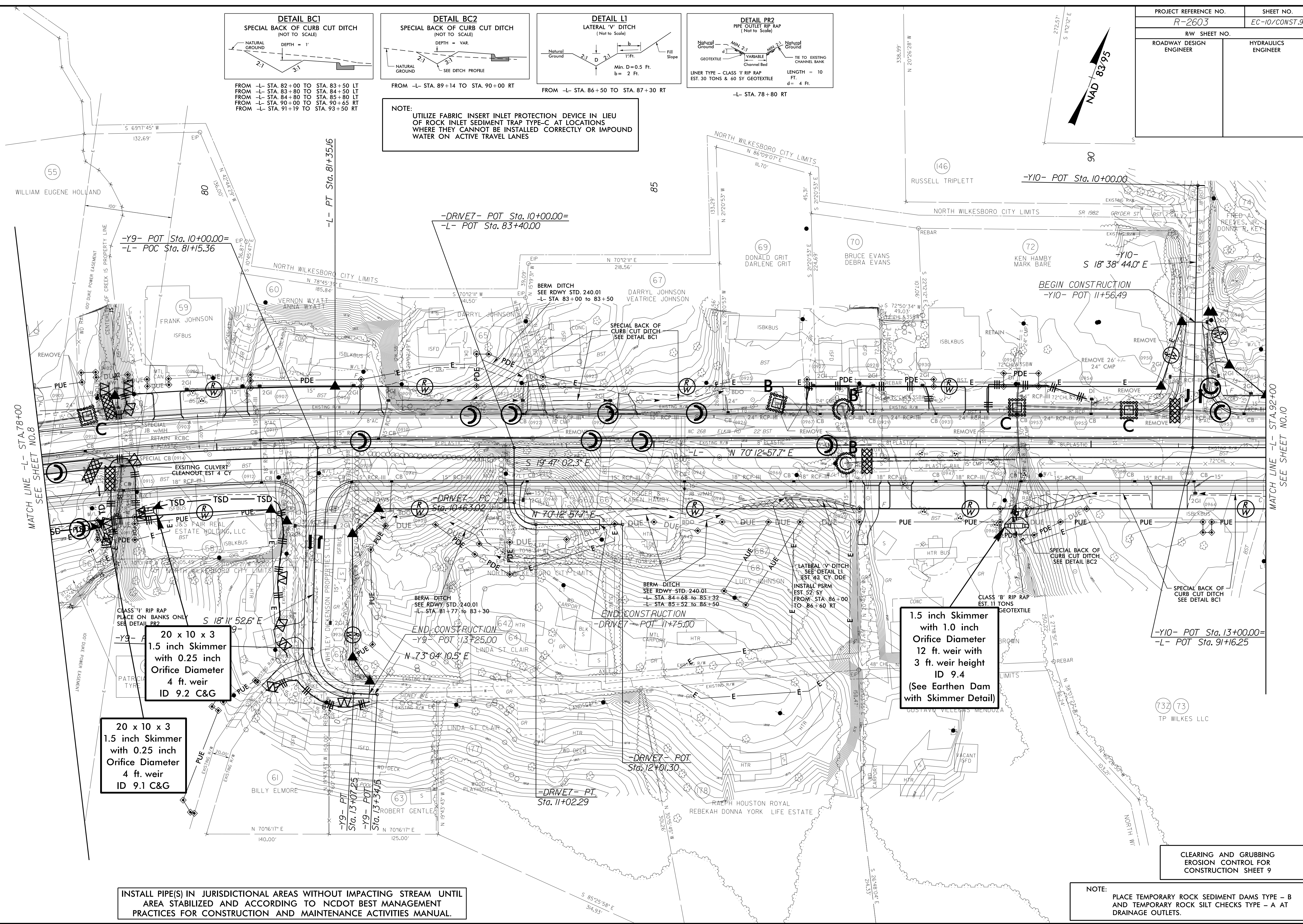
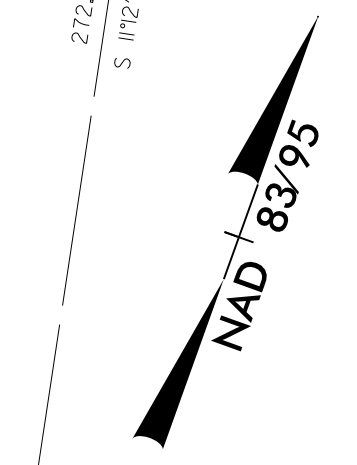


FROM -L- STA. 86+50 TO STA. 87+30 RT



-L- STA. 78+80 RT

NOTE:
 UTILIZE FABRIC INSERT INLET PROTECTION DEVICE IN LIEU OF ROCK INLET SEDIMENT TRAP TYPE C AT LOCATIONS WHERE THEY CANNOT BE INSTALLED CORRECTLY OR IMPOUND WATER ON ACTIVE TRAVEL LANES



MATCH LINE -L- STA. 78+00
 SEE SHEET NO. 8

MATCH LINE -L- STA. 92+00
 SEE SHEET NO. 10

20 x 10 x 3
 1.5 inch Skimmer
 with 0.25 inch
 Orifice Diameter
 4 ft. weir
 ID 9.2 C&G

20 x 10 x 3
 1.5 inch Skimmer
 with 0.25 inch
 Orifice Diameter
 4 ft. weir
 ID 9.1 C&G

1.5 inch Skimmer
 with 1.0 inch
 Orifice Diameter
 12 ft. weir with
 3 ft. weir height
 ID 9.4
 (See Earthen Dam
 with Skimmer Detail)

INSTALL PIPE(S) IN JURISDICTIONAL AREAS WITHOUT IMPACTING STREAM UNTIL AREA STABILIZED AND ACCORDING TO NCDOT BEST MANAGEMENT PRACTICES FOR CONSTRUCTION AND MAINTENANCE ACTIVITIES MANUAL.

NOTE:
 PLACE TEMPORARY ROCK SEDIMENT DAMS TYPE - B AND TEMPORARY ROCK SILT CHECKS TYPE - A AT DRAINAGE OUTLETS.

94 JUN-2015 11:45
 R:\env\informa\1\Drawings\B2603-EC.psh09.dgn
 R:\env\informa\1\Drawings\B2603-EC.psh09.dgn