

SIGN NUMBER: TYPE: STATIONARY QUANTITY: SEE PLANS SIGN WIDTH: 2'-6" HEIGHT: 3'-0" TOTAL AREA: 7.5 Sq.Ft. BORDER TYPE: INSET RECESS: 0.47" WIDTH: 0.63" RADII: 1.5" NO. Z BARS: LENGTH:

BACKG COLOR: Fluorescent Orange COPY COLOR: Black

| SYMBOL | X | Y | WID | HT |
|--------|---|---|-----|----|
| | | | | |
| | | | | |
| | | | | |
| | | | | |
| | | | | |
| | | | | |
| | | | | |
| | | | | |
| | | | | |
| | | | | |
| | | | | |
| | | | | |

DESIGN BY: ICA Eng PROJECT ID: R-2603 CHECKED BY: DIV: 11 DATE: Dec 08, 2014

BORDER R=1.5" TH=0.63" IN=0.47"

USE NOTES: 1,2
 1. Legend and border shall be direct applied black non-reflective sheeting.
 2. Background shall be NC GRADE B fluorescent orange retroreflective sheeting.

Spacing Factor is 1 unless specified otherwise

LETTER POSITIONS

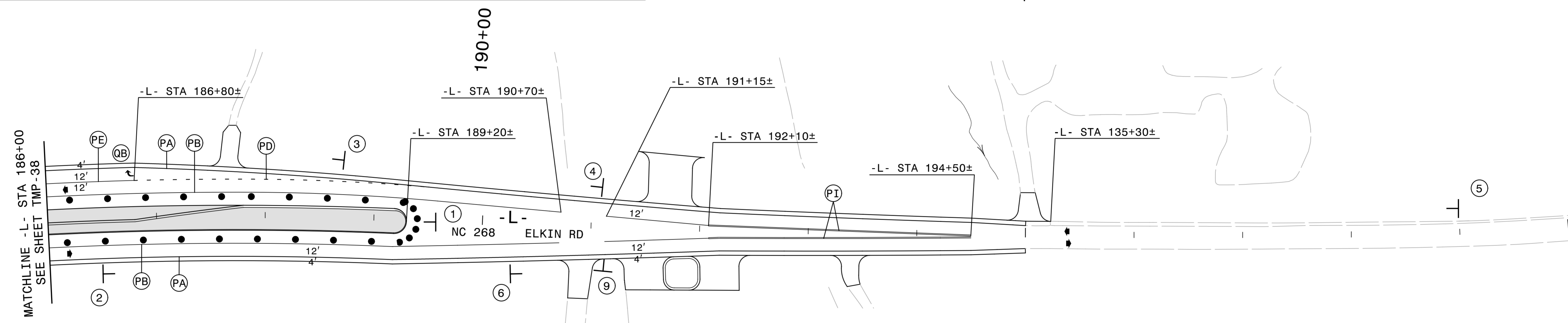
Letter spacings are to start of next letter

| Series/Size | Text Length | Letter | Spacing |
|-------------|-------------|--------|---------|
| C 2000 | 13 | R | 9.1 |
| | | i | 3.5 |
| | | v | 1.3 |
| | | e | 3.3 |
| | | r | 3.2 |
| | | t | 1.7 |
| | | y | 7.9 |
| C 2000 | 18 | L | 6.6 |
| | | i | 3.1 |
| | | b | 1.6 |
| | | e | 3.1 |
| | | r | 3.2 |
| C 2000 | 19.1 | G | 5.5 |
| | | r | 3.7 |
| | | . | 1.9 |
| | | C | 0.8 |
| | | h | 3.7 |
| C 2000 | 12.1 | R | 9 |
| | | a | 3.1 |
| | | d | 2.6 |

FILENAME: r2603_tmp_s1gns NORTH CAROLINA D.O.T. SIGN DETAIL

ICA Engineering S121 Kingdom Way, Suite 101, Raleigh, NC 27607

| | |
|---------------------|-----------|
| PROJ. REFERENCE NO. | SHEET NO. |
| R-2603 | TMP-39 |

5/14/2015
 R:\Traffic\TrafficControl\TCP\2603_tmp.pil.sl.dtl_07.dgn
 ICA Engineering

MATCHLINE - DRIVER - STA 194+50
 SEE SHEET TMP-39

APPROVED: *Michael T. Rzepka* DATE: 5/15/2015

SEAL

SEAL

PHASE II STEP 1
 DETAIL