

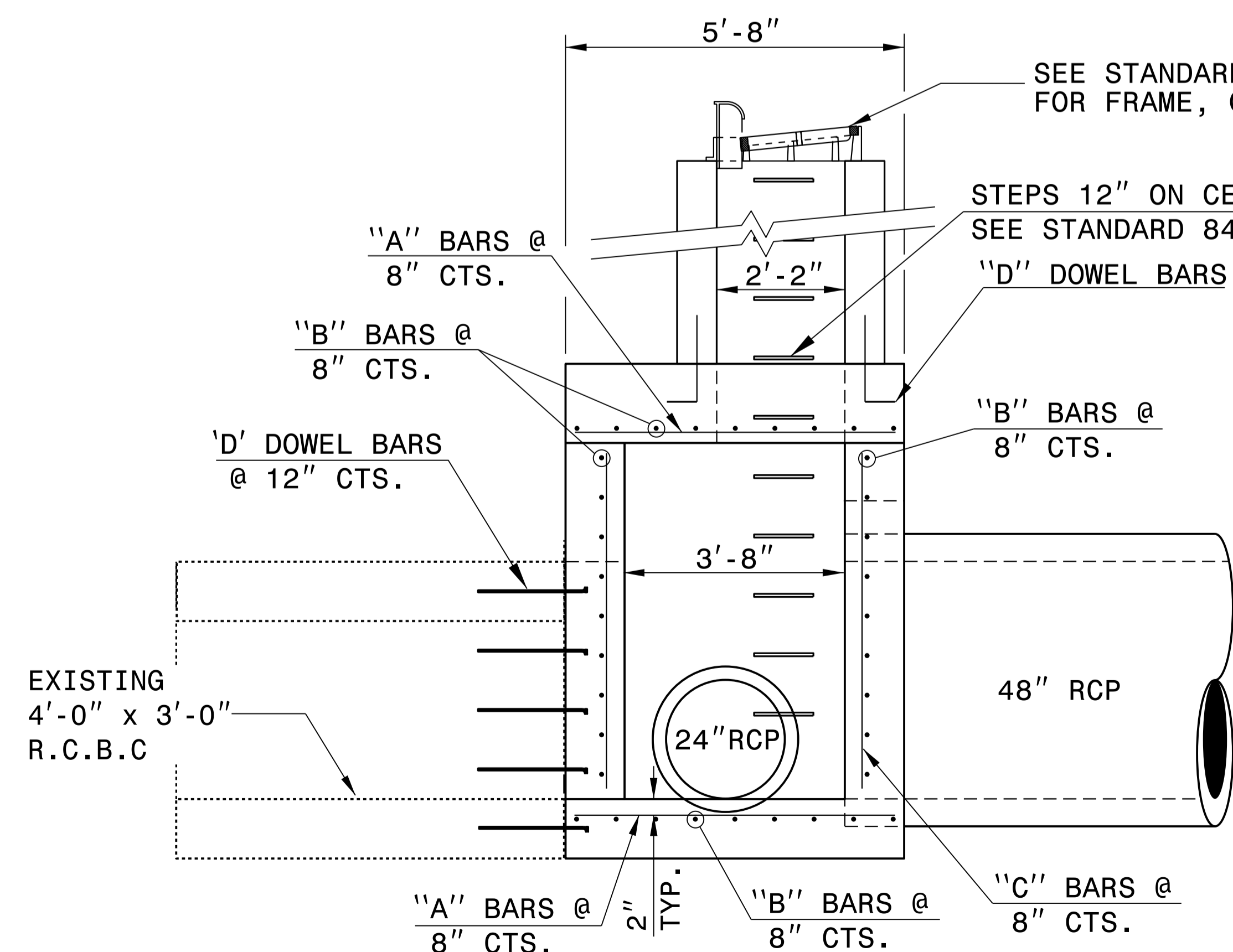
PLAN VIEW

GENERAL NOTES:

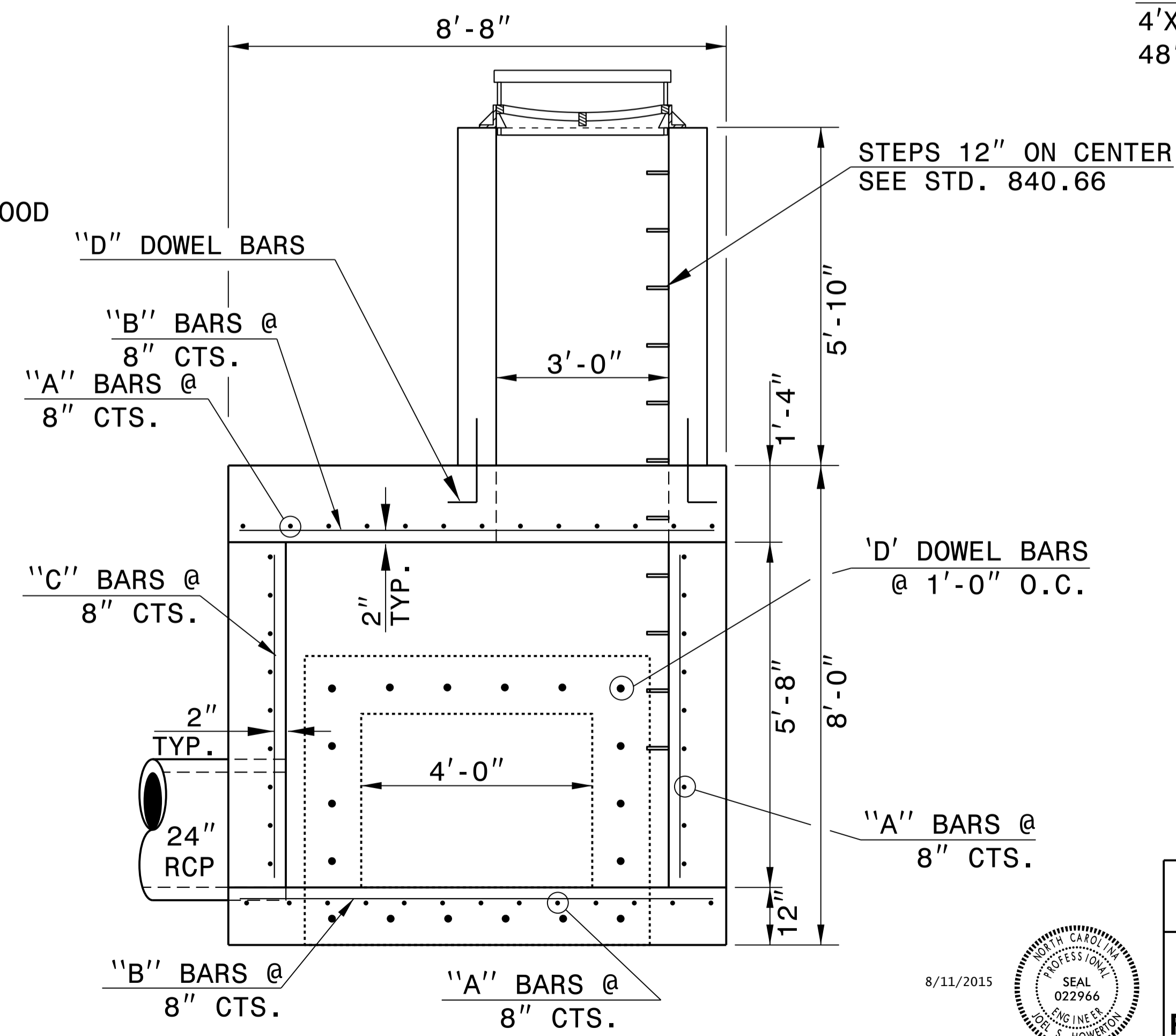
- CONSTRUCT THE JUNCTION BOX WITH CLASS "B" OR BETTER CONCRETE.
- CHAMFER ALL EXPOSED CORNERS 1".
- DOWEL 'D' BARS SHALL BE IMBEDDED 1'-0" MINIMUM INTO THE CULVERT WALLS, TOP AND BOTTOM SLABS. DOWELS SHALL BE CHEMICALLY ANCHORED IN ACCORDANCE WITH STRUCTURE SPECIAL PROVISION "ADHESIVELY ANCHORED ANCHOR BOLTS OR DOWELS". DOWEL 'D' BARS SHALL BE ROTATED TO VARIOUS ANGLES WHEN BEING ANCHORED TO OBTAIN GOOD ATTACHMENT BETWEEN THE CULVERT AND COLLAR.
- ALL DIMENSIONS SHOULD BE FIELD VERIFIED.
- CONSTRUCT CONCRETE BOX IN ACCORDANCE WITH SECTION 825 OF THE STANDARD SPECIFICATIONS.
- ADJUST LENGTH OF STEEL BARS AS NEEDED TO COMPENSATE FOR PIPES AND MANHOLE OPENINGS.
- REINFORCING STEEL SHALL CONFORM TO AASHTO M31 FOR GRADE 60.
- CUT OR BEND STEEL BARS AS NEEDED TO PROVIDE 2" CLEARANCE.
- PLACE STEPS 12" ON CENTERS IN ACCORDANCE WITH STD. 840.66.

BILL OF MATERIAL				
BAR	NO.	SIZE	LENGTH	WEIGHT
A	48	#5	5'-4"	267
B	45	#5	8'-4"	391
C	33	#5	6'-3"	215
D	24	#5	2'-6"	63
TOTAL REINF. STEEL (LBS.)				918
CLASS "B" CONC. (C.Y.)				9.4

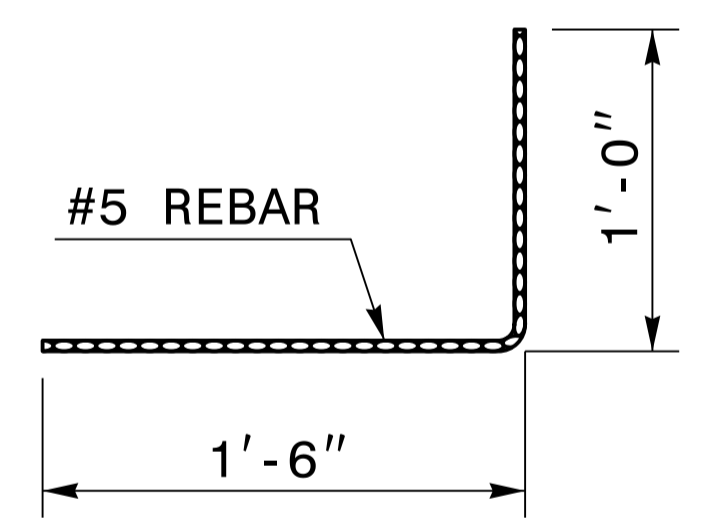
* NO DEDUCTIONS MADE FOR 4'X 3' RCBC OR 48" RCP.
CONCRETE DEDUCTION
 4'X 3' RCBC = 0.4 CU.YDS.
 48" RCP = 0.7 CU.YDS.



ELEVATION



SECTION A-A



DOWEL 'D'

STR.#0914

CONTRACT STANDARDS AND DEVELOPMENT UNIT
 Office 919-707-6950 FAX 919-250-4119

DETAIL OF JUNCTION BOX CONNECTING EXISTING 4'x 3' RCBC TO 48" RCP W/CATCH BASIN

ORIGINAL BY: T.Spell DATE: 1-16-03
 MODIFIED BY: K.Kempf DATE: 6-2-15
 CHECKED BY: DATE:
 FILE SPEC.: s:kkempf/english/R2603jb_cb_tbjb.dgn

05-JUN-2015 12:33
 S:\Contracts\Projects\Special_Details\kkempf\english\R2603_jb_cb_tbjb.dgn
 \$\$\$USERNAME\$\$\$

