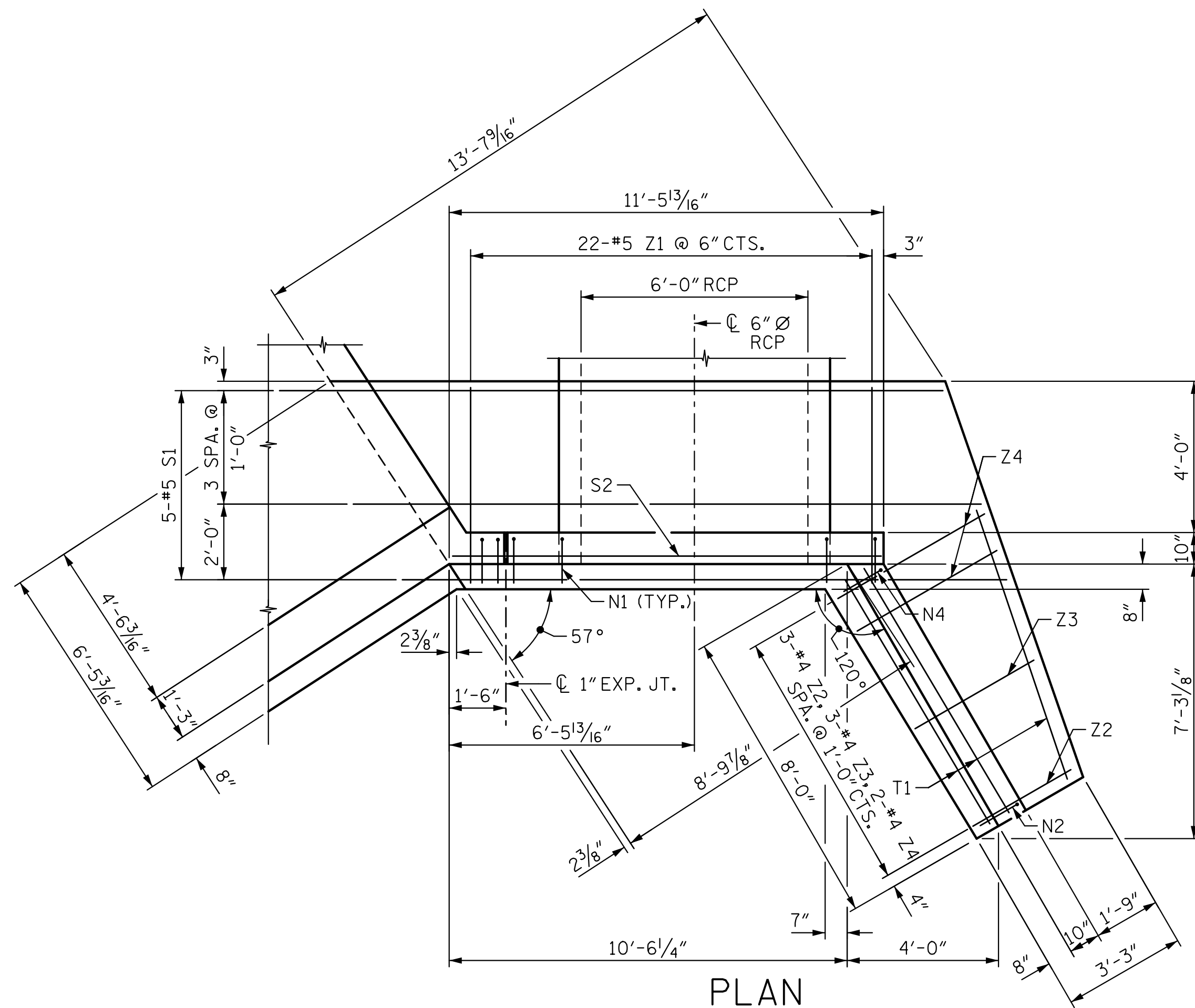
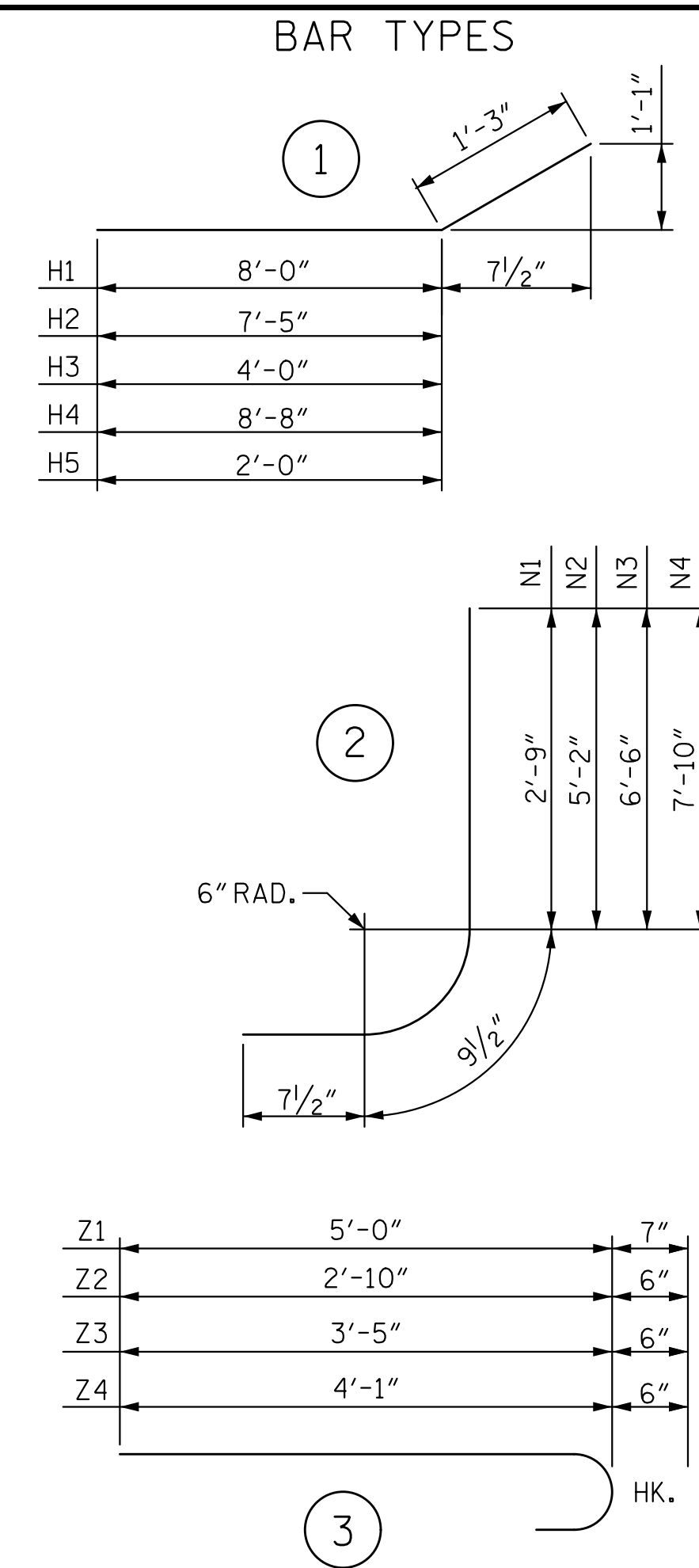


WING ELEVATION



PLAN

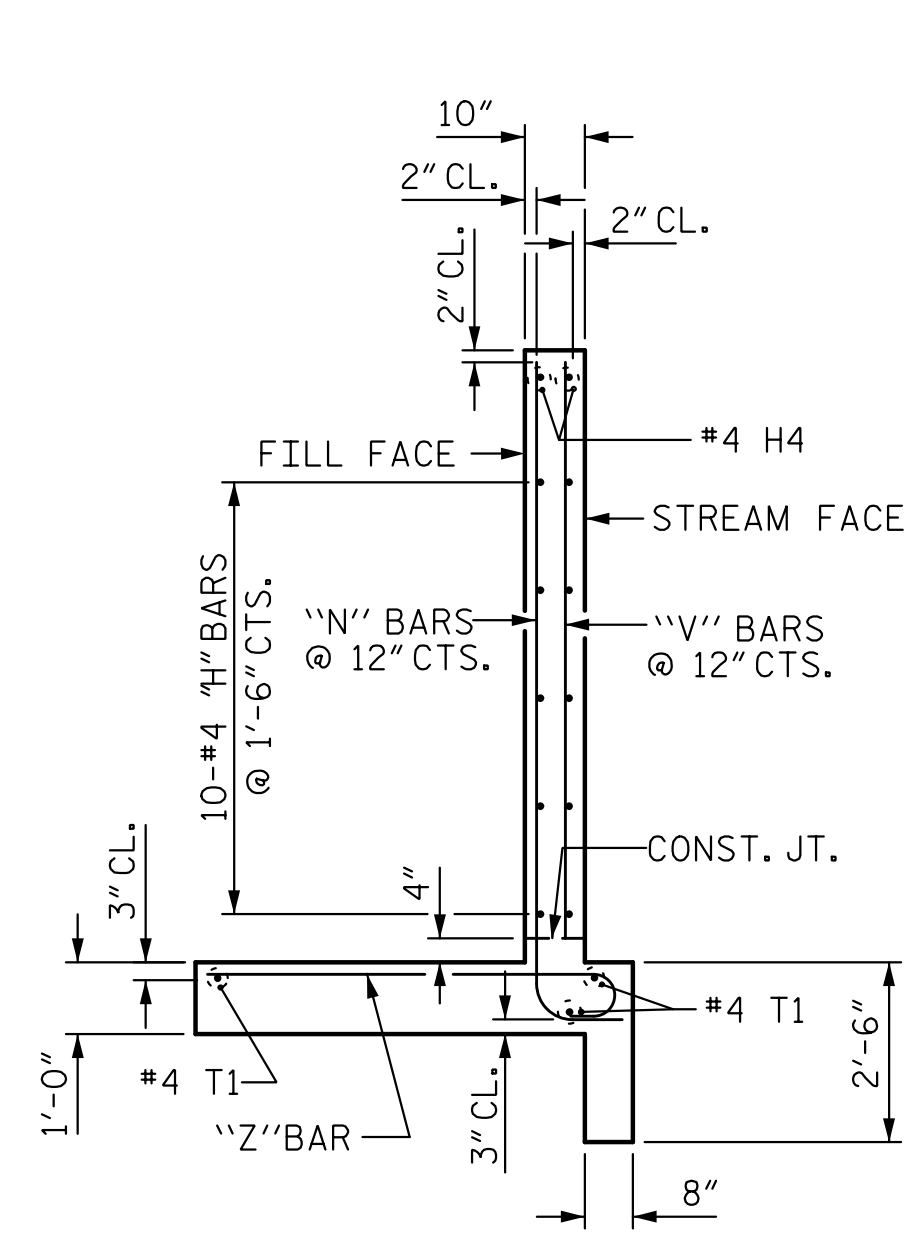


BAR TYPES

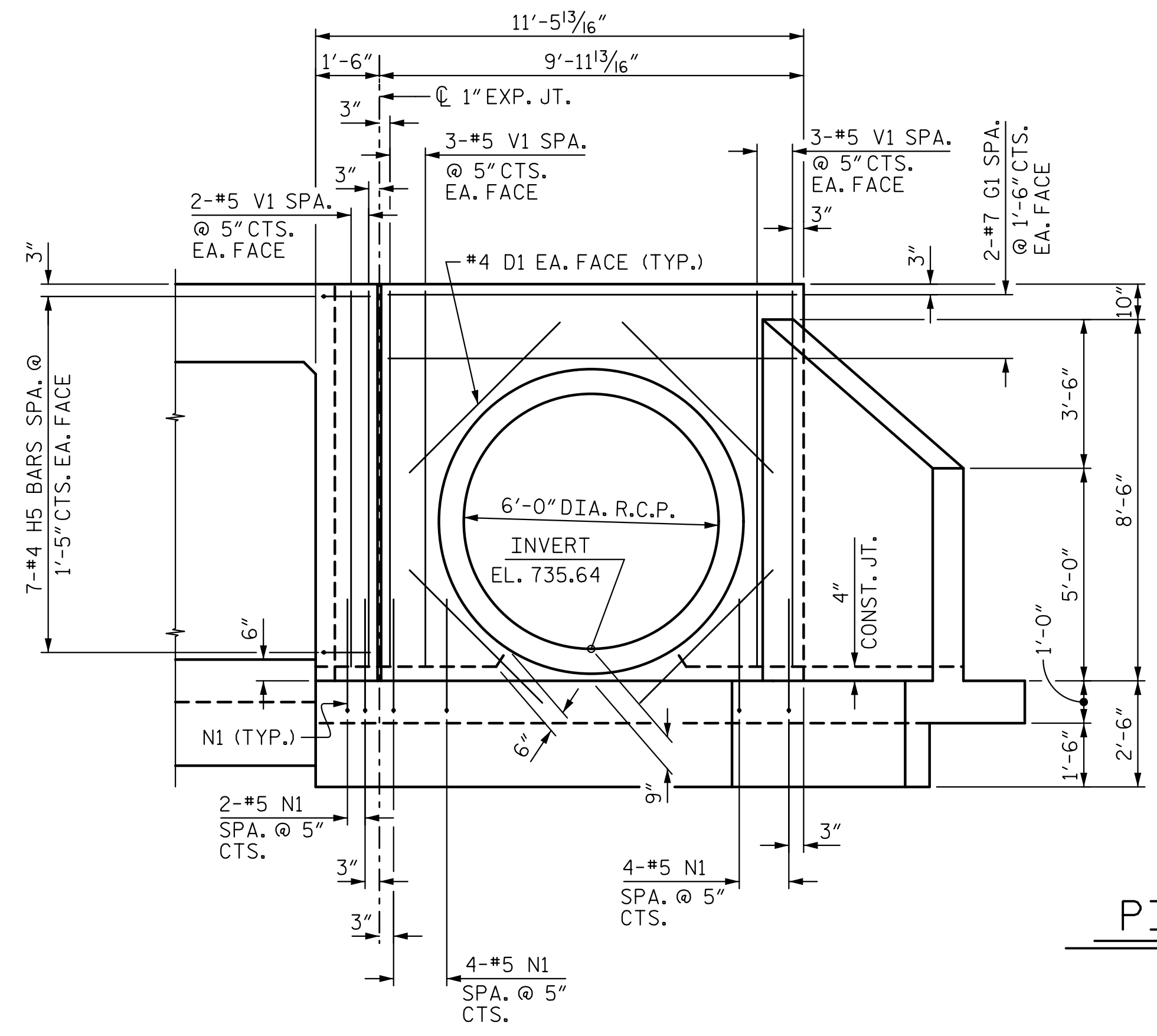
BILL OF MATERIAL

BAR	NO.	SIZE	TYPE	LENGTH	WEIGHT
D1	8	#4	STR	5'-6"	29
G1	4	#7	STR	9'-7"	78
H1	6	#4	1	9'-3"	37
H2	2	#4	1	8'-8"	12
H3	2	#4	1	5'-3"	7
H4	2	#4	1	9'-11"	13
H5	14	#4	1	3'-3"	30
N1	10	#5	2	4'-2"	43
N2	3	#4	2	6'-7"	13
N3	3	#4	2	7'-11"	16
N4	2	#4	2	9'-3"	12
S1	5	#5	STR	17'-2"	90
S2	1	#5	STR	11'-5"	12
T1	3	#4	STR	7'-8"	15
V1	16	#5	STR	8'-10"	147
V2	3	#4	STR	4'-7"	9
V3	3	#4	STR	5'-11"	12
V4	2	#4	STR	7'-3"	10
Z1	22	#5	3	5'-7"	128
Z2	3	#4	3	3'-4"	7
Z3	3	#4	3	3'-11"	8
Z4	2	#4	3	4'-7"	6

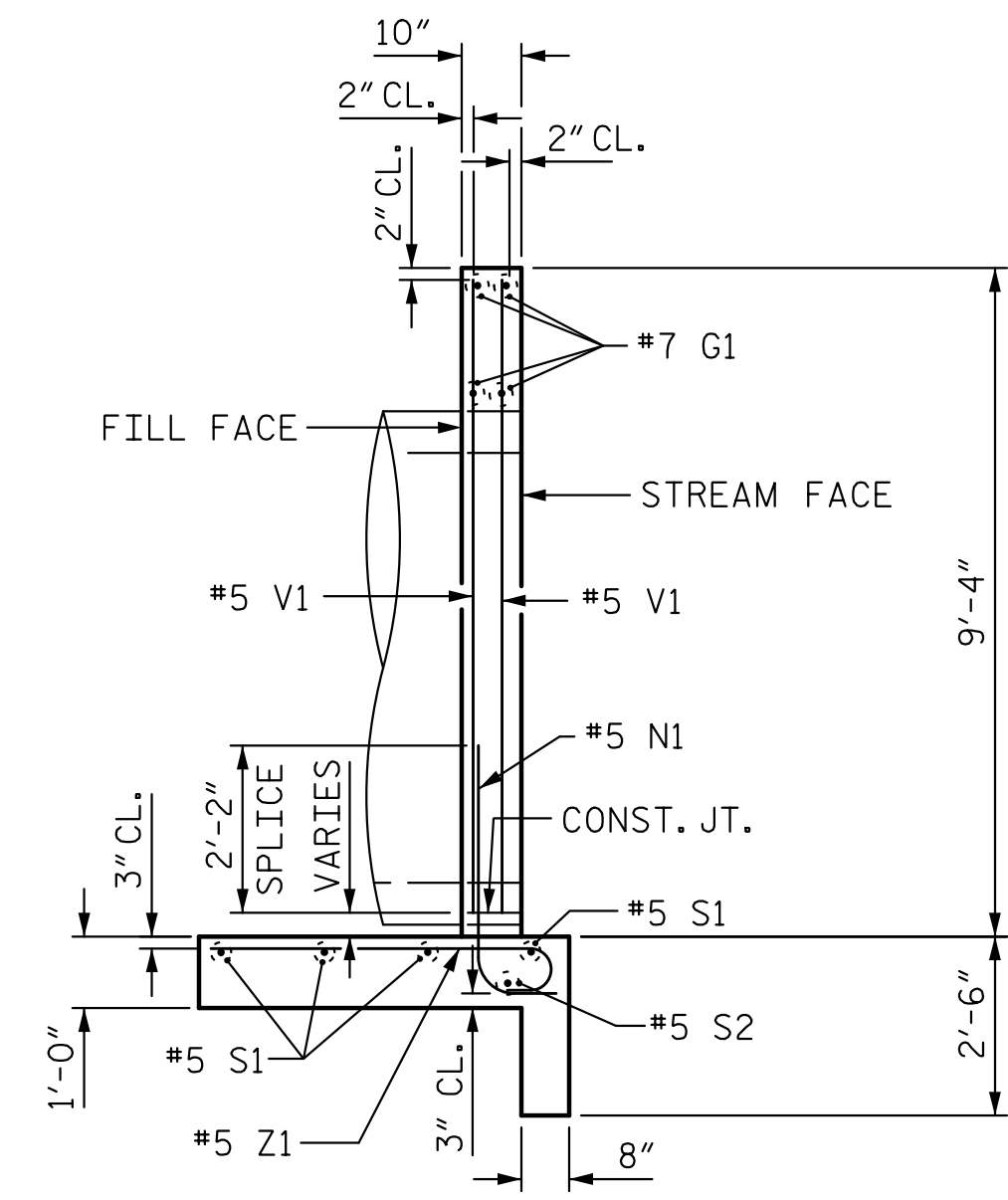
REINFORCING STEEL FOR 1 WING 734 LBS  
 CLASS A CONCRETE  
 1 HEADWALL 2.0 CY  
 1 WING WALL 1.6 CY  
 FOOTING & CURTAIN WALL 4.8 CY  
 TOTAL 8.4 CY



WING SECTION



PIPE HEADWALL ELEVATION

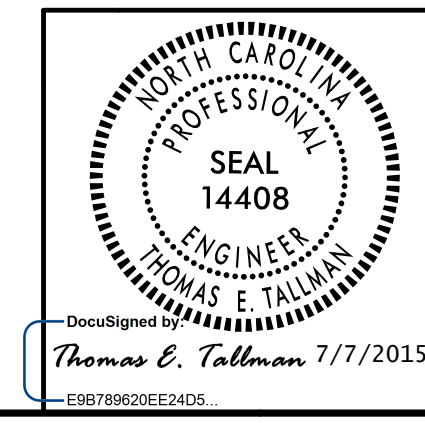


PIPE HEADWALL SECTION

NOTE:  
 A 3 FOOT STRIP OF FILTER FABRIC SHALL BE ATTACHED TO THE FILL FACE OF THE WING COVERING THE ENTIRE LENGTH OF THE EXPANSION JOINT.

PROJECT NO. W-5516  
 ROWAN COUNTY  
 STATION: 108+21.00 -L-  
 SHEET 7 OF 8

REVISIONS						SHEET NO.
NO.	BY:	DATE:	NO.	BY:	DATE:	C-12
1			3			TOTAL SHEETS 13
2			4			



5/28/2015 10:58:56 AM Plans\UT\_Cold\_Water\_Creek\CT\_w-5516.sd.w4dgn  
 TCA Engineering, Inc.

DRAWN BY: D. H. CARTER DATE: MAY 2015  
 CHECKED BY: T. E. TALLMAN DATE: MAY 2015  
 DESIGN ENGINEER OF RECORD: T. E. TALLMAN DATE: MAY 2015