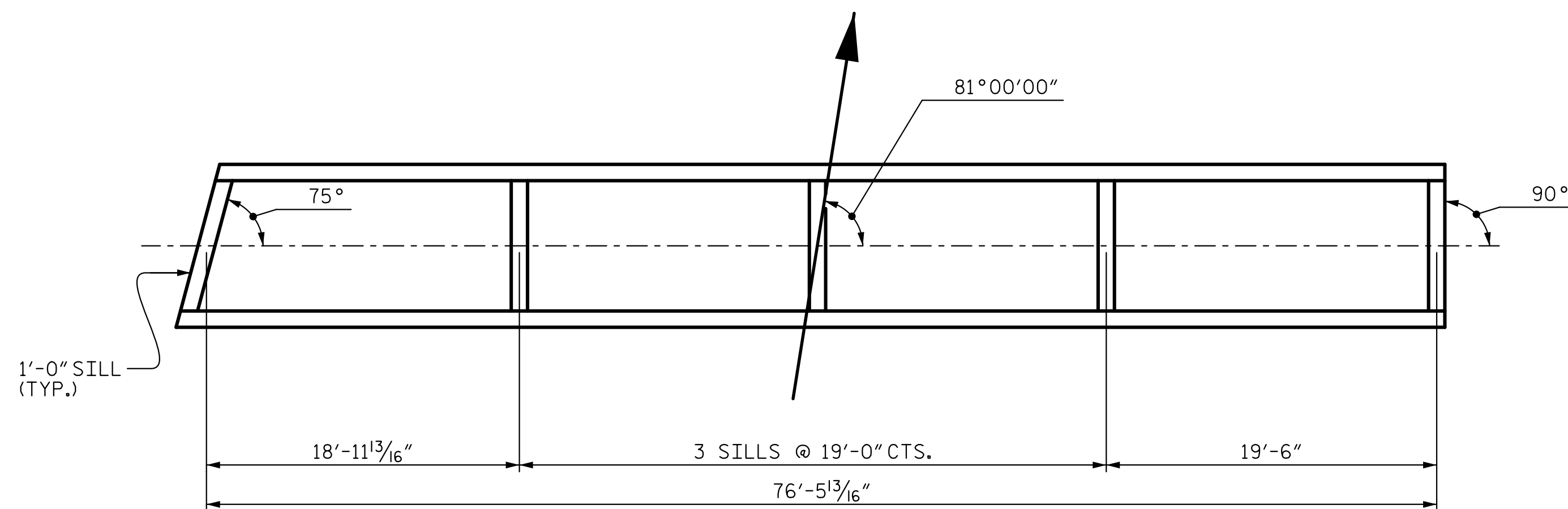


**RIGHT ANGLE SECTION OF BARREL**

THERE ARE 42 #4 BARS IN SECTION OF BARREL.  
 \* CONTINUOUS HIGH CHAIR UPPER (C.H.C.U.) @ 3'-0" CTS.

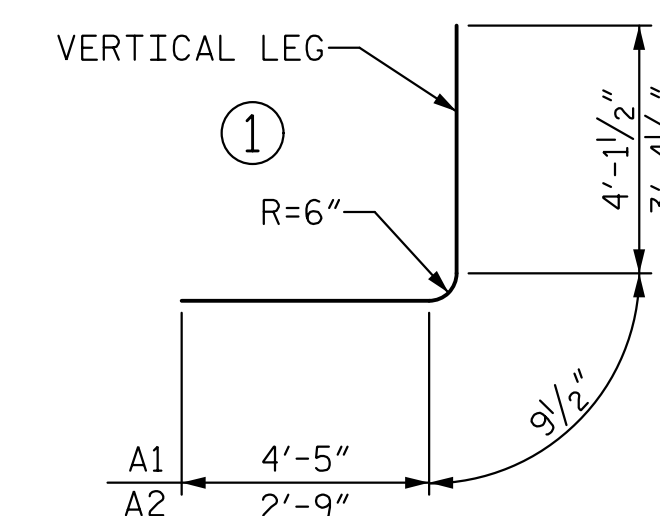


**PLAN VIEW SHOWING SILL LOCATIONS**

**NOTE:**

ALL #4 C1 BARS ARE 3 BAR RUNS.

**BAR TYPES**



**BILL OF MATERIAL**

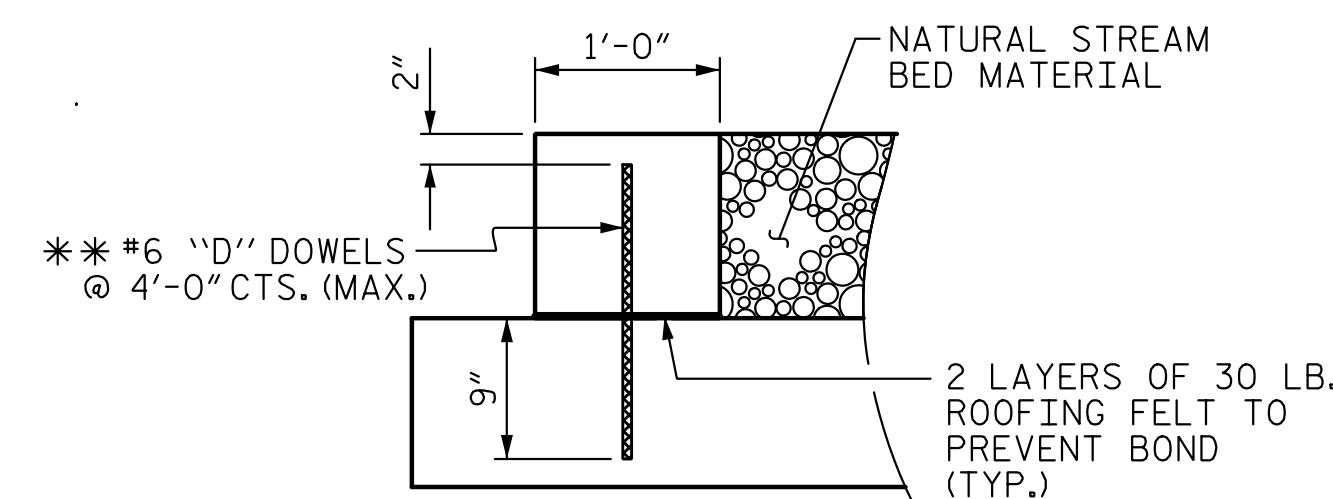
BAR	NO.	SIZE	TYPE	LENGTH	WEIGHT
A1	155	#5	1	9'-4"	1,509
A2	155	#5	1	6'-11"	1,118
A100	152	#4	STR	9'-4"	948
A101	1	#4	STR	8'-10"	6
A102	1	#4	STR	6'-10"	5
A103	1	#4	STR	4'-10"	3
A200	152	#5	STR	9'-4"	1,480
A201	1	#5	STR	8'-10"	9
A202	1	#5	STR	6'-10"	7
A203	1	#5	STR	4'-10"	5

B1	312	#4	STR	8'-5"	1,754
C1	126	#4	STR	27'-5"	2,308
D1	10	#6	STR	1'-7"	24
G1	2	#4	STR	9'-7"	13
G2	2	#4	STR	9'-4"	12
S1	6	#6	STR	9'-7"	86

**SPLICE LENGTH CHART**

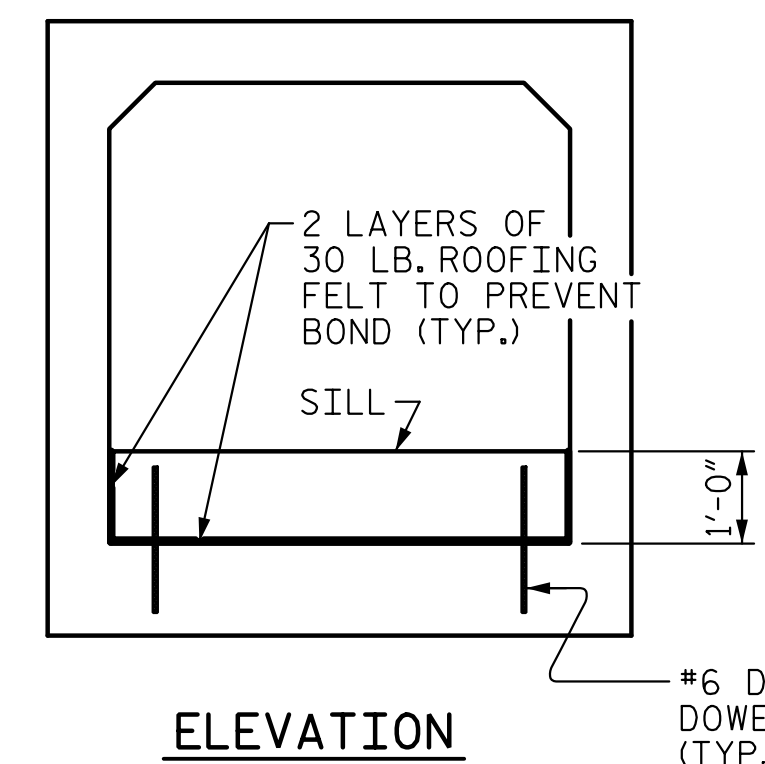
BAR	SIZE	SPLICE LENGTH
B1	#5	1'-9"
C1	#4	1'-11"

REINFORCING STEEL		9,287	LBS
CLASS A CONCRETE			
	CULVERT SILLS	84.7	CY
		1.3	CY
TOTAL		86.0	CY



**SECTION**

\*\* DOWELS MAY BE PUSHED INTO GREEN CONCRETE AFTER SLAB HAS BEEN FLOAT FINISHED.



**ELEVATION**

**SILL DETAILS**

(LOOKING DOWN STREAM)

PROJECT NO. W-5516

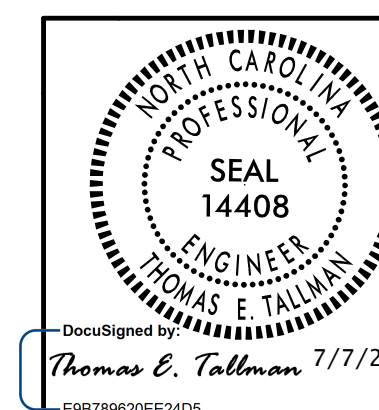
ROWAN COUNTY

STATION: 108+21.00 -L-

SHEET 4 OF 8

STATE OF NORTH CAROLINA  
 DEPARTMENT OF TRANSPORTATION  
 RALEIGH

**CULVERT DETAILS**



REVISIONS						SHEET NO.
NO.	BY:	DATE:	NO.	BY:	DATE:	C-9
1			3			TOTAL SHEETS
2			4			13

7/7/2015 10:53 AM C:\Users\Tallman\OneDrive\Documents\Projects\W-5516\Culvert\Culvert.dwg  
 T. E. Tallman  
 T. E. Tallman

DRAWN BY : D. H. CARTER DATE : MAY 2015  
 CHECKED BY : T. E. TALLMAN DATE : MAY 2015  
 DESIGN ENGINEER OF RECORD : T. E. TALLMAN DATE : MAY 2015

5121 Kingdom Way, Suite 100 Raleigh, NC 27607  
 NC License No. P-0208