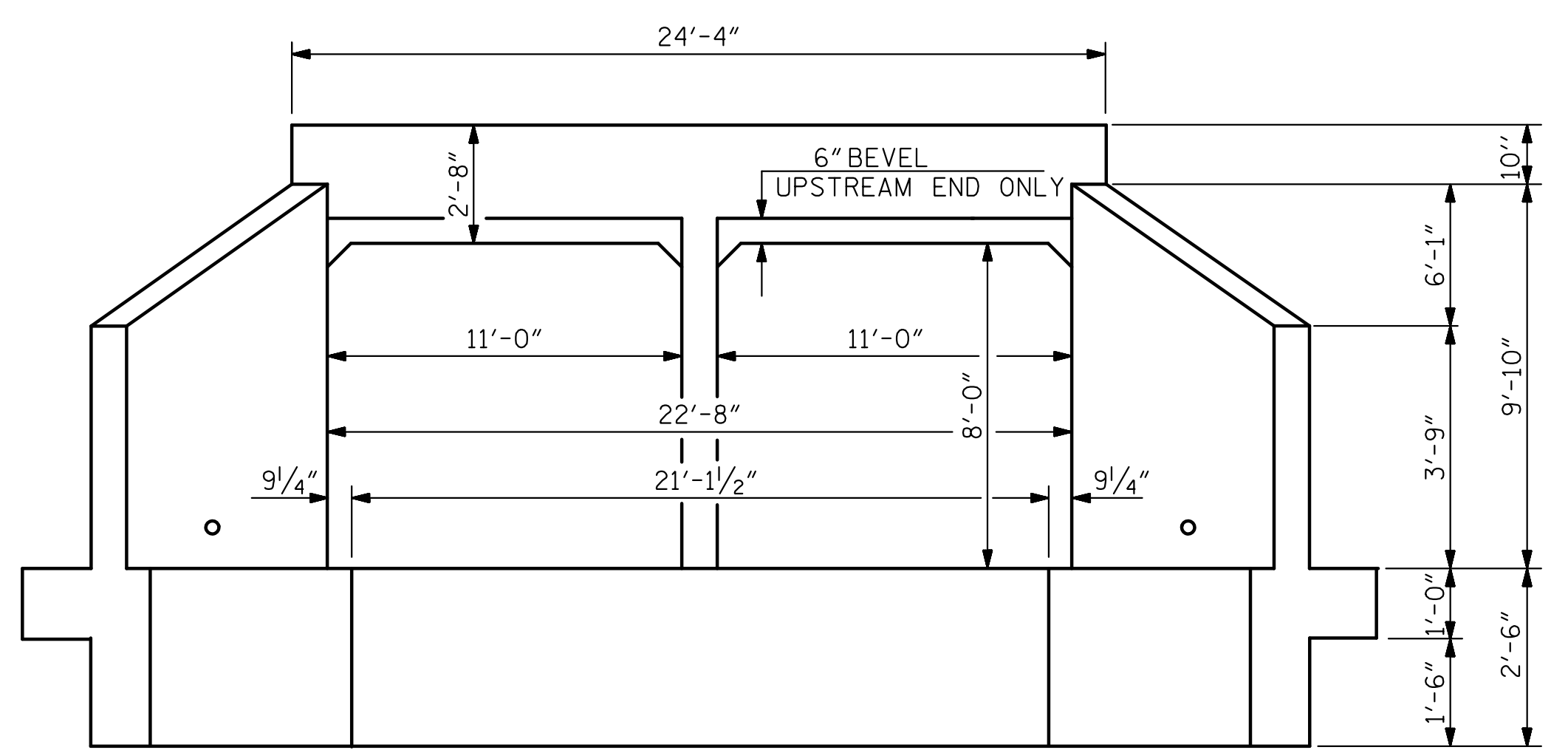
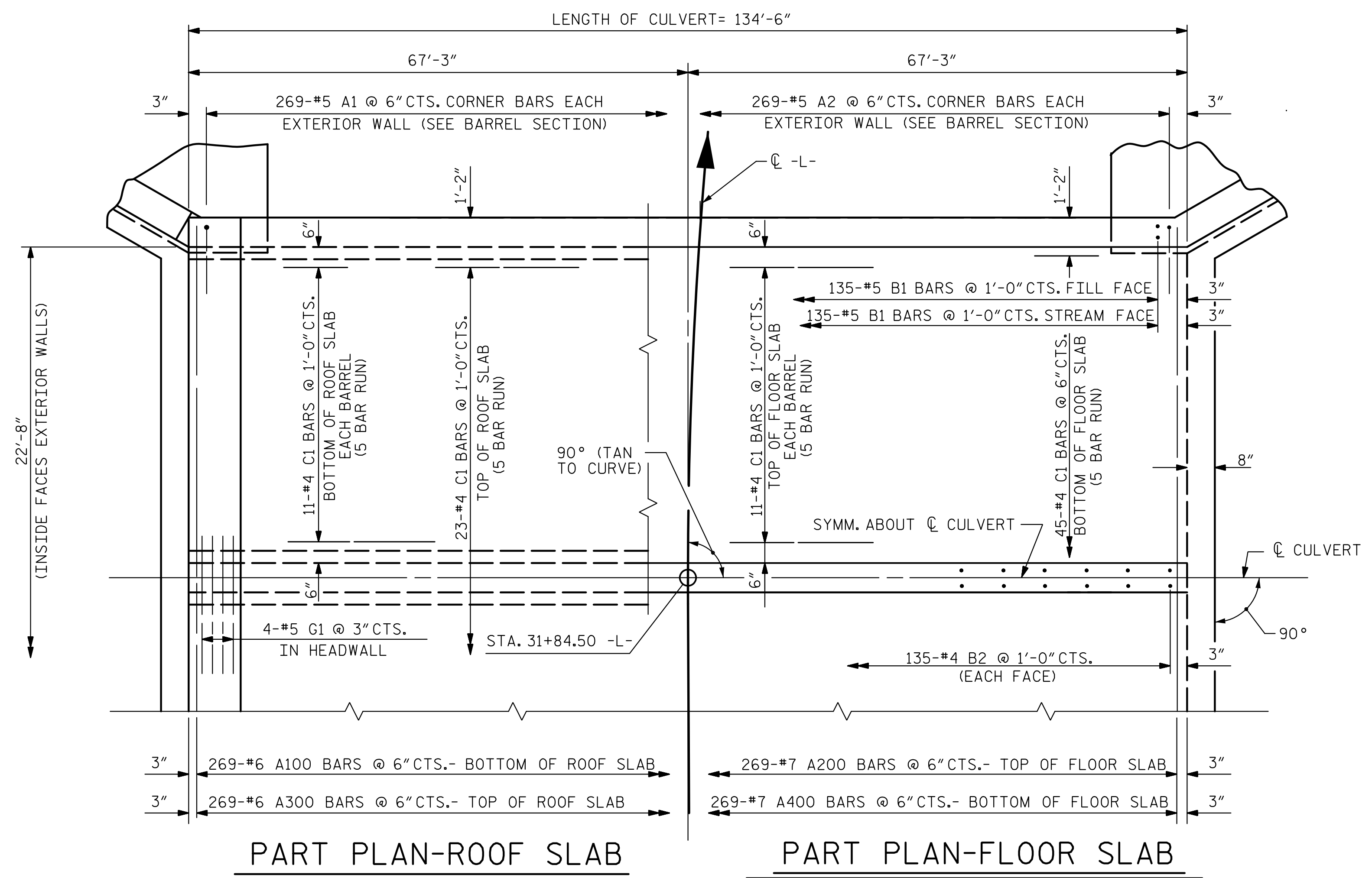


CULVERT SECTION NORMAL TO ROADWAY

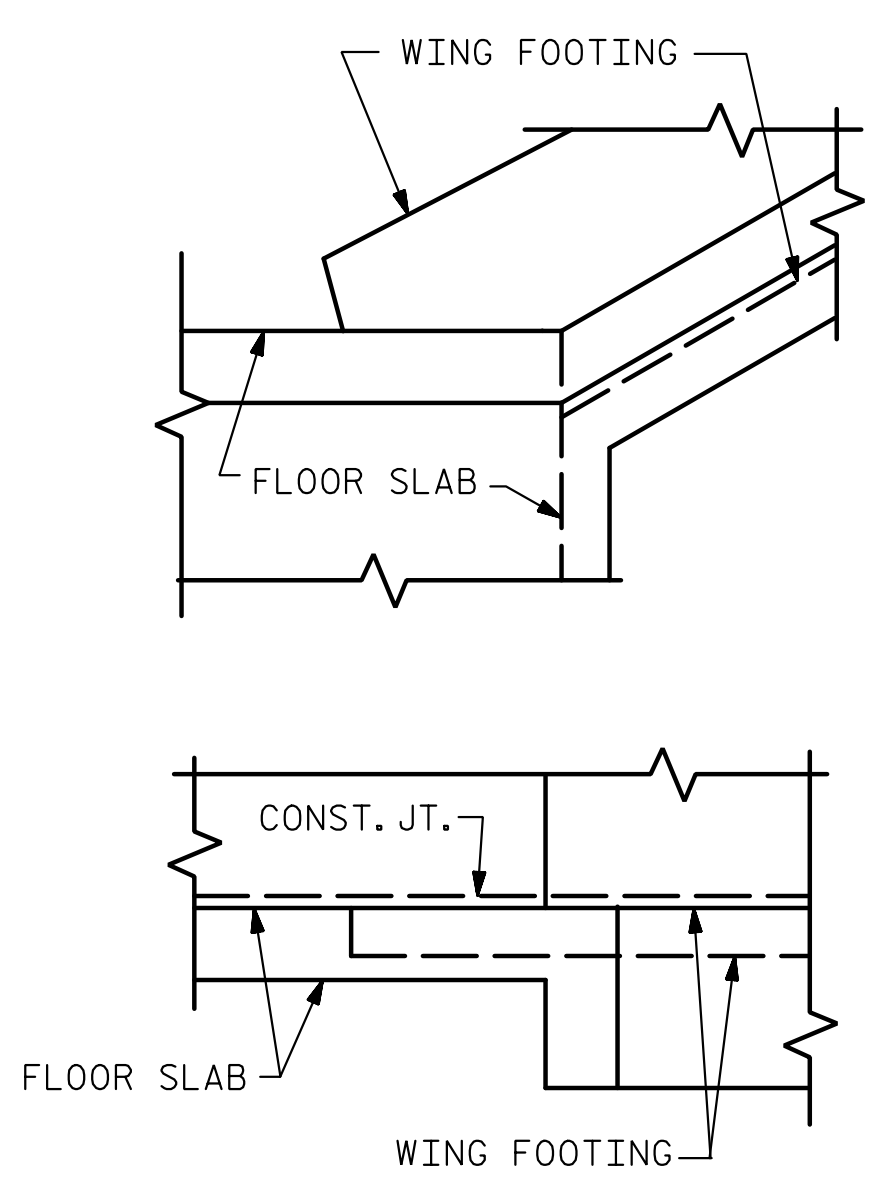


END ELEVATION



PART PLAN-ROOF SLAB

PART PLAN-FLOOR SLAB

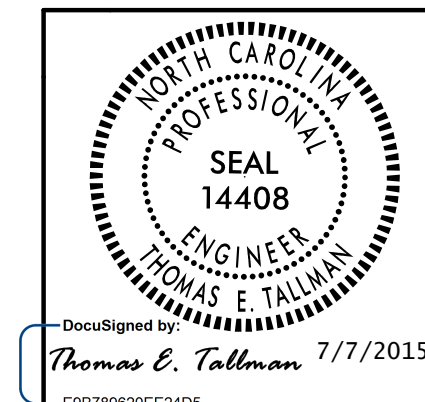


CONNECTION OF WING FOOTING AND FLOOR SLAB WHEN SLAB IS THICKER THAN FOOTING

I HEREBY CERTIFY THESE PLANS ARE THE AS-BUILT PLANS

PROJECT NO. W-5516
 ROWAN COUNTY
 STATION: 31+84.50 -L-
 SHEET 2 OF 5

STATE OF NORTH CAROLINA
 DEPARTMENT OF TRANSPORTATION
 RALEIGH
 BARREL STANDARD
 DOUBLE 11 FT. X 8 FT.
 CONCRETE BOX CULVERT
 90° SKEW



REVISIONS						SHEET NO.
NO.	BY:	DATE:	NO.	BY:	DATE:	C-2
1			3			TOTAL SHEETS 13
2			4			

REVISED 11-19-99 BY M.M. CHECKED BY R.W.W.
 REDRAWN NOV. 1990 BY TSS CHECKED BY ARB

ASSEMBLED BY : D. H. CARTER	DATE : MAY 2015	SPECIAL
CHECKED BY : T. E. TALLMAN	DATE : MAY 2015	
DRAWN BY : RALPH D. UNDERWOOD	DATE : MAY 1971	STANDARD
CHECKED BY : JOEL A. JOHNSON	DATE : JULY 1971	