

NOTES

HOOKS ON "V" BARS MAY BE TURNED AS NECESSARY FOR PLACING REINFORCING STEEL.

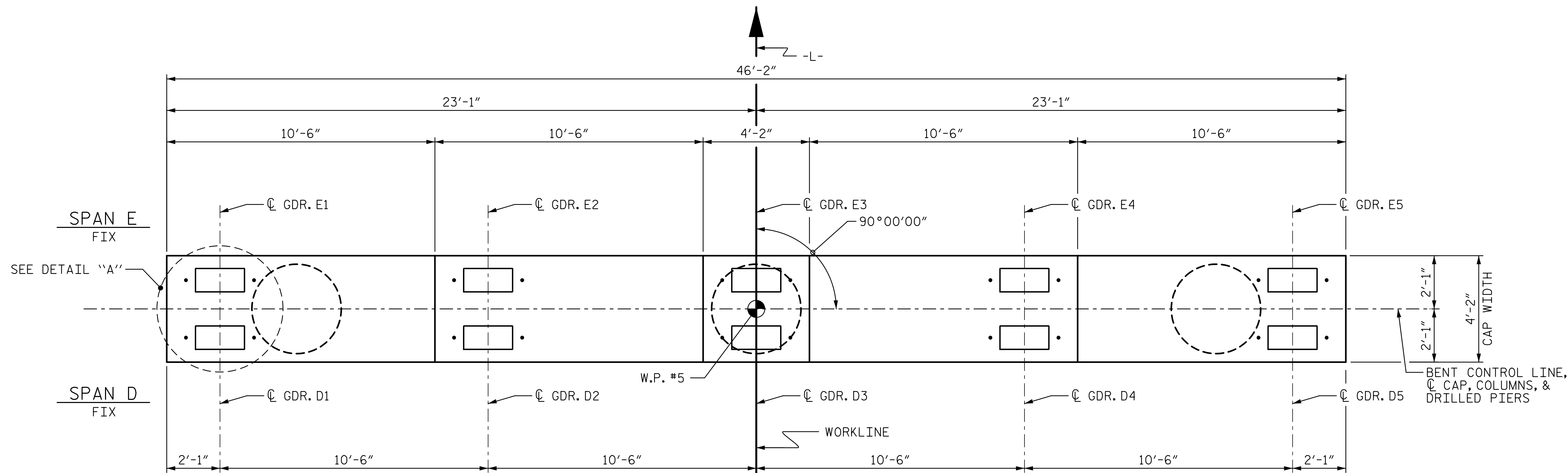
ALL STEEL IN THE DRILLED PIERS IS INCLUDED IN THE PAY ITEMS FOR "REINFORCING STEEL" AND "SPIRAL COLUMN REINFORCING STEEL."

STIRRUPS AND "U" BARS IN CAP MAY BE SHIFTED AS NECESSARY TO CLEAR ANCHOR BOLTS.

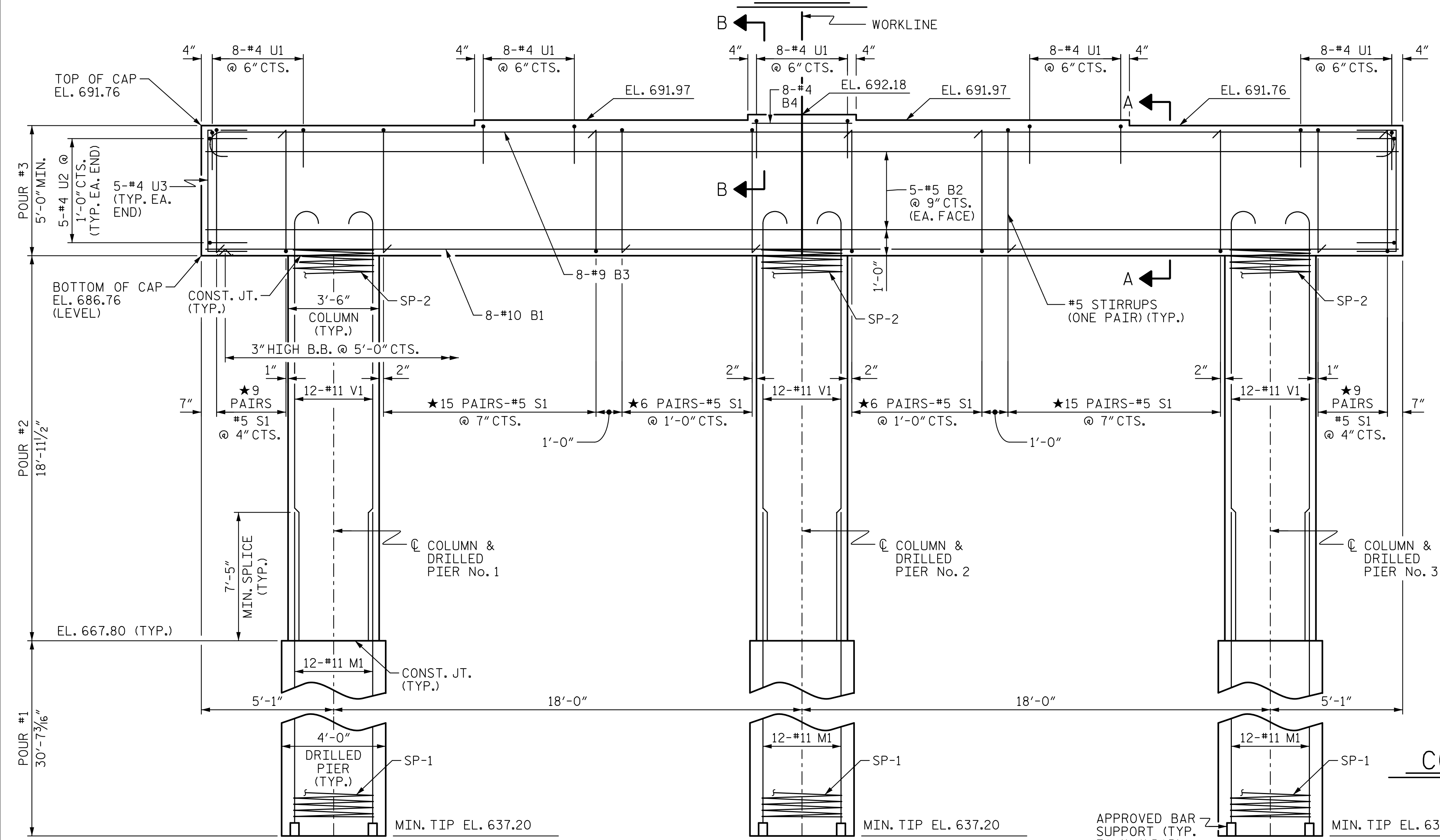
THE LOCATION OF THE CONSTRUCTION JOINT IN THE DRILLED PIERS IS BASED ON AN APPROXIMATE GROUND LINE ELEVATION. IF THE CONSTRUCTION JOINT IS ABOVE THE ACTUAL GROUND LINE ELEVATION, THE CONTRACTOR SHALL PLACE THE CONSTRUCTION JOINT ONE FOOT BELOW THE GROUND LINE.

THE CONTRACTOR'S ATTENTION IS CALLED TO THE FACT THAT THE LONGITUDINAL REINFORCEMENT FOR THE DRILLED PIERS IS DETAILED WITH 3 FEET OF EXTRA LENGTH.

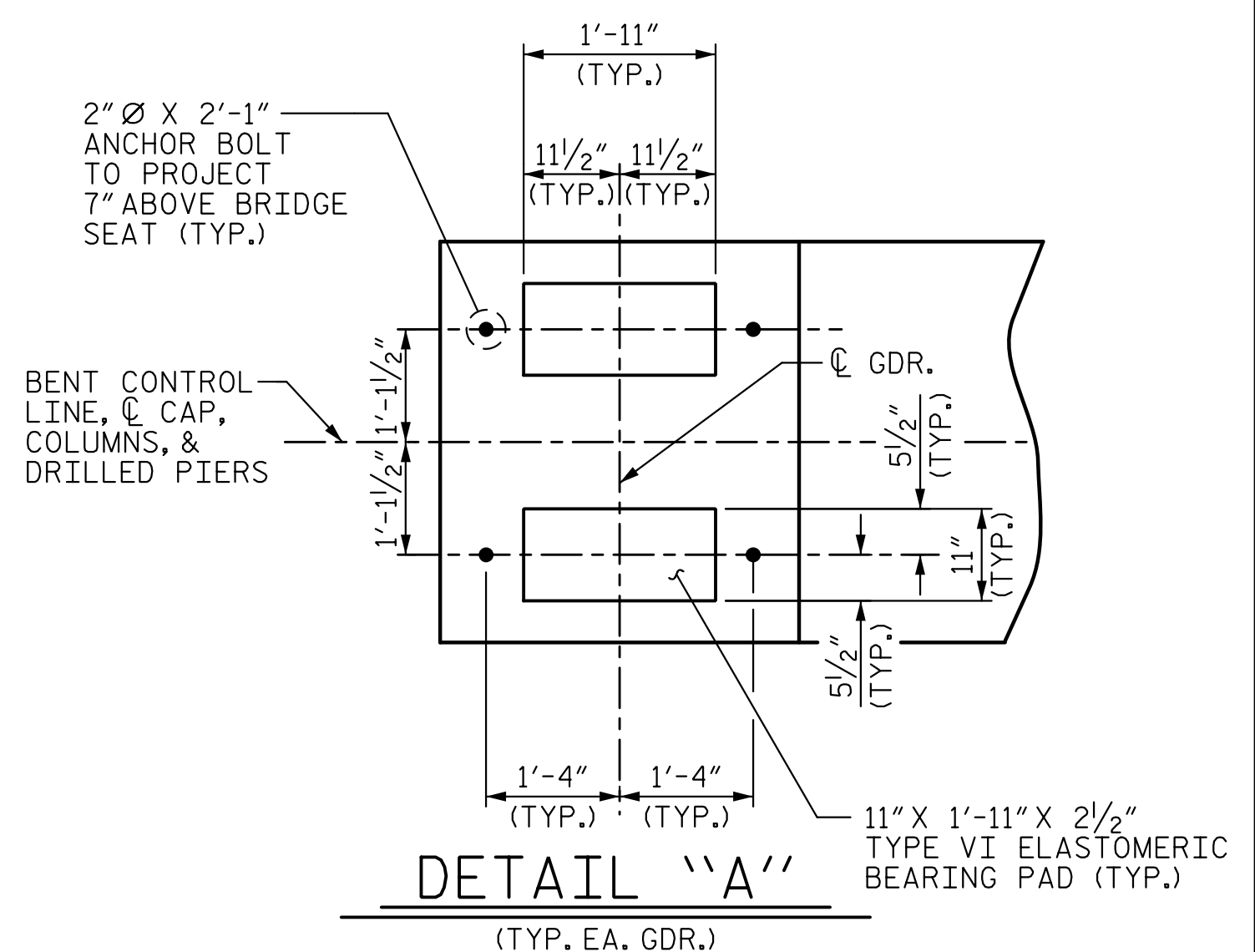
FOR SECTION A-A, B-B, AND REINFORCING BILL OF MATERIAL, SEE SHEET 2 OF 2.



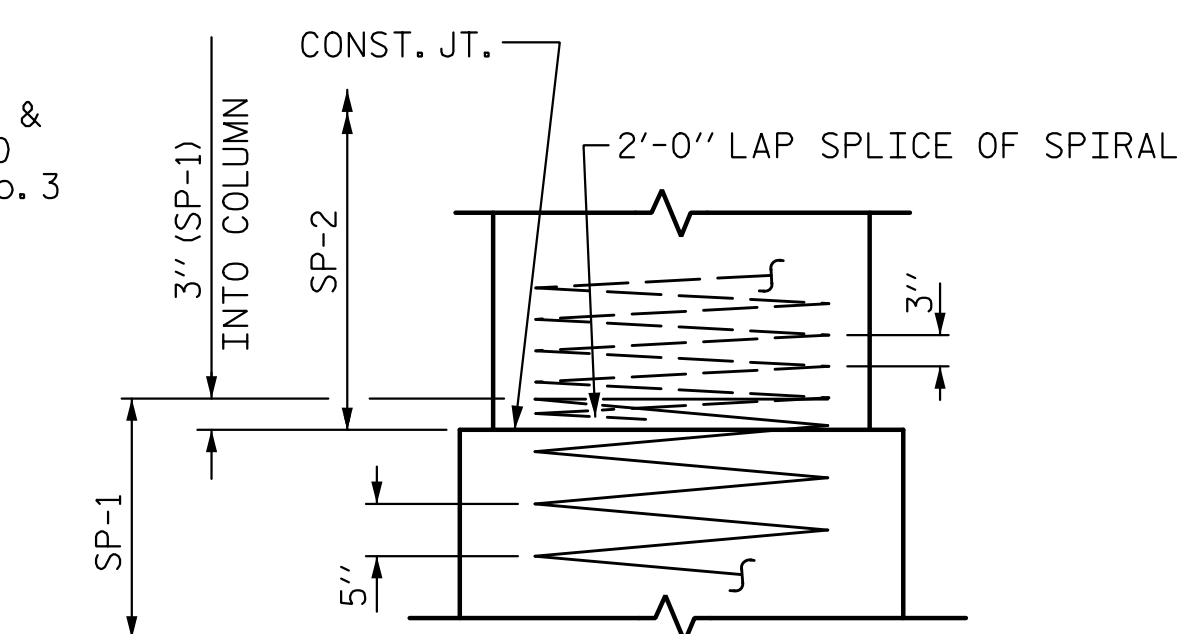
PLAN



ELEVATION



DETAIL "A"

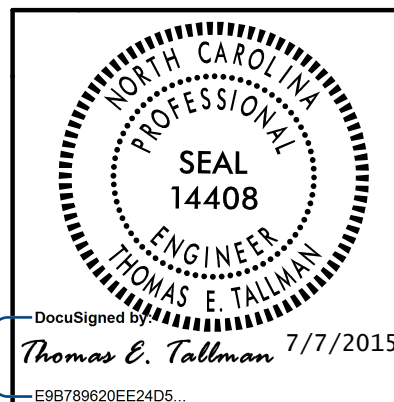


CONSTRUCTION JOINT DETAIL

PROJECT NO. W-5516  
 ROWAN COUNTY  
 STATION: 61+79.40 -L-  
 SHEET 1 OF 2

STATE OF NORTH CAROLINA  
 DEPARTMENT OF TRANSPORTATION  
 RALEIGH  
 SUBSTRUCTURE  
 BENT 4

REVISIONS						SHEET NO.
NO.	BY:	DATE:	NO.	BY:	DATE:	S-34
1			3			TOTAL SHEETS 41
2			4			



★ INVERT ALTERNATE STIRRUP PAIRS.

DRAWN BY: D. H. CARTER DATE: MAY 2015  
 CHECKED BY: M. T. NEIHEISEL DATE: MAY 2015  
 DESIGN ENGINEER OF RECORD: T. E. TALLMAN DATE: MAY 2015

5/28/2015  
 S:\Projects\2015\Projects\W-5516\Substructure\Bent 4.dgn  
 T. E. Tallman  
 ICA Engineering, Inc.