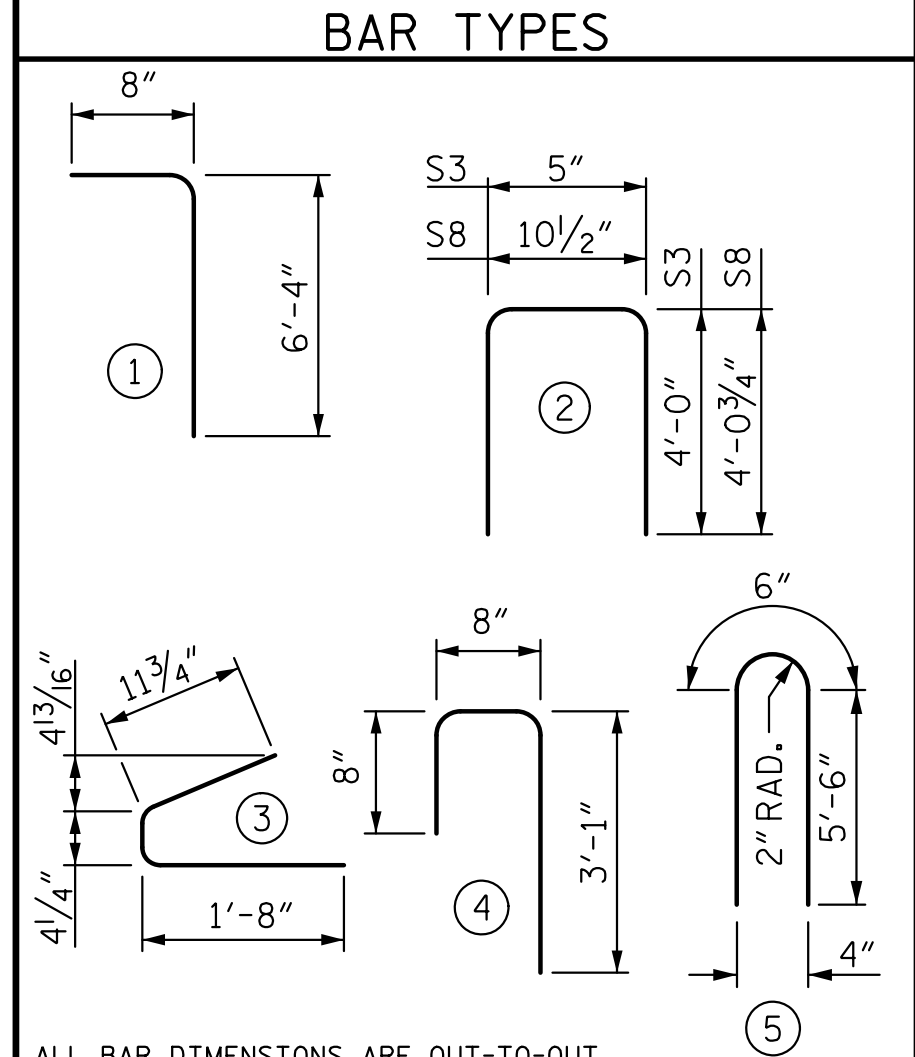


0.6" Ø L. R. GRADE 270 STRANDS		
AREA (SQUARE INCHES)	ULTIMATE STRENGTH (LBS. PER STRAND)	APPLIED PRESTRESS (LBS. PER STRAND)
0.217	58,600	43,950

REINFORCING STEEL FOR ONE GDR					
BAR	NUMBER	SIZE	TYPE	LENGTH	WEIGHT
S1	190	#4	1	7'-0"	888
S2	24	#5	1	6'-11"	173
S3	14	#4	2	8'-5"	79
S4	84	#4	3	3'-0"	168
S6	214	#5	4	4'-5"	986
*S7	20	#5	STR	3'-8"	76
S8	2	#5	2	9'-0"	19
S9	48	#5	STR	3'-3"	163
S10	2	#3	STR	1'-10"	1
S11	8	#5	5	11'-6"	96
S12	16	#4	STR	8'-0"	85

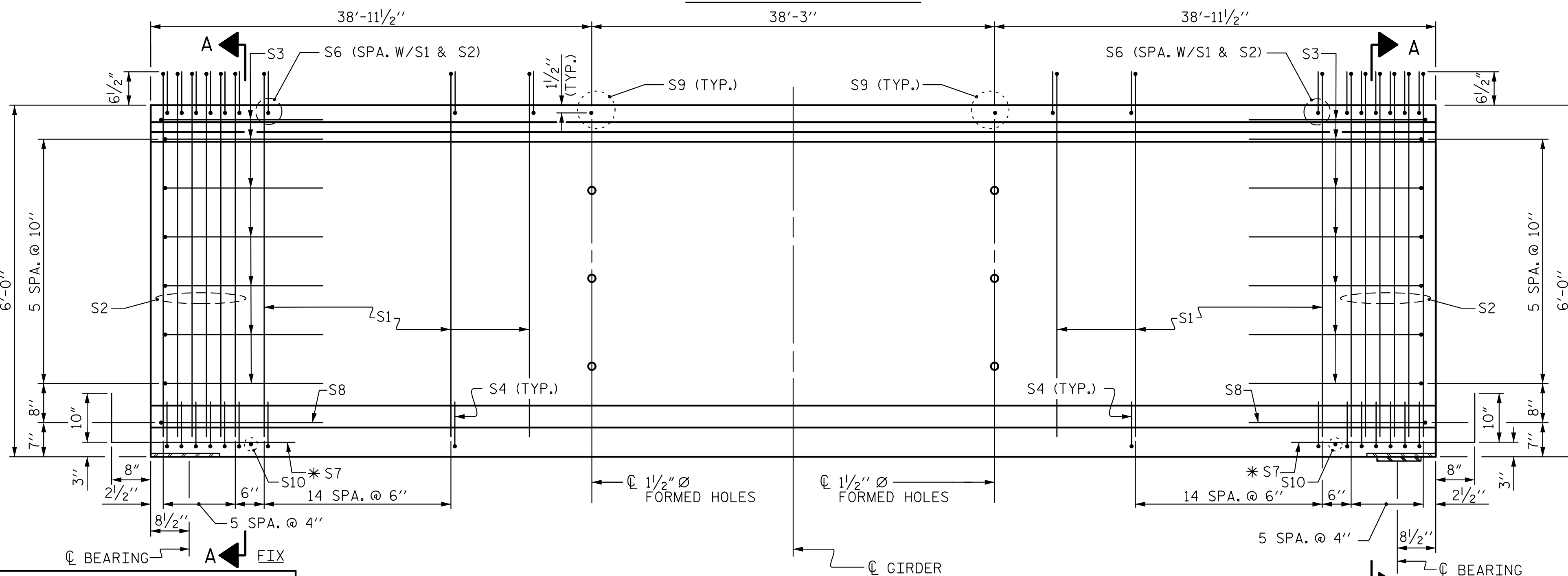
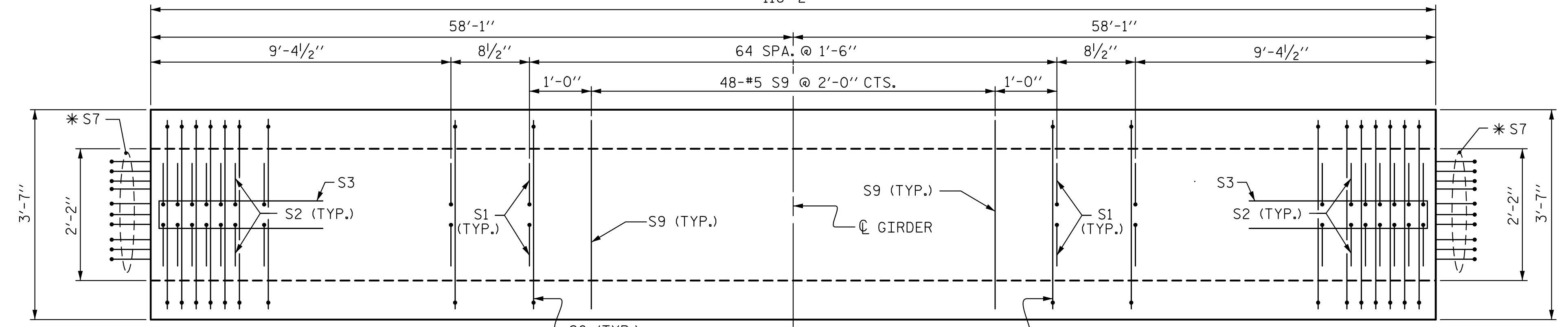
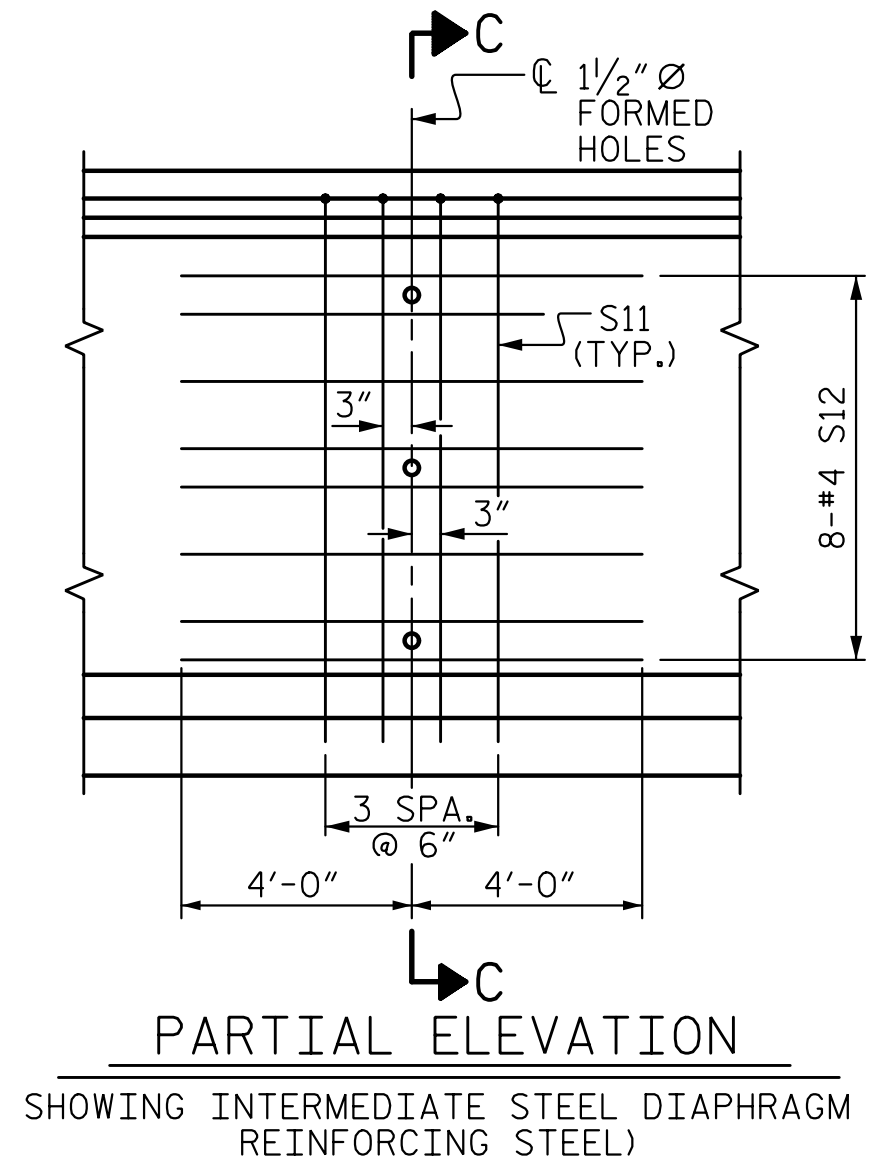
\*NOTE: S7 BARS SHALL BE BENT BEFORE SHIPMENT. HEAT BENDING SHALL NOT BE ALLOWED.



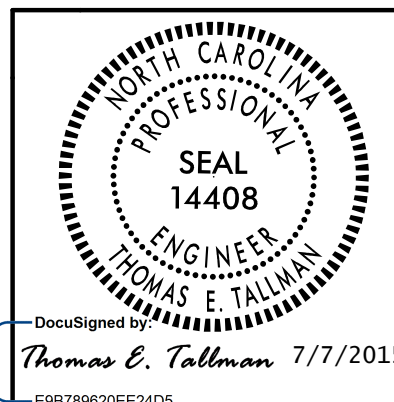
QUANTITIES FOR ONE GIRDER			
REINFORCING STEEL	8,000 PSI CONCRETE	0.6" Ø L.R. STRANDS	
LB.	C.Y.	No.	
2,734	24.89	40	

GIRDERS REQUIRED		
NUMBER	LENGTH	TOTAL LENGTH
15	116'-2"	1,742'-6"

- DEBONDING LEGEND**
- FULLY BONDED STRANDS
  - ▲ STRANDS DEBONDED FOR 6'-0" FROM END OF GIRDER
  - ⊙ STRANDS DEBONDED FOR 12'-0" FROM END OF GIRDER



ASSEMBLED BY : D. H. CARTER DATE : MAY 2015  
 CHECKED BY : M. T. NEIHEISEL DATE : MAY 2015  
 DRAWN BY : EEM 2/6/97 REV. 5/1/06R TLA/GM  
 CHECKED BY : VAP 2/6/97 REV. 10/1/11 MAA/GM  
 REV. 6/13 MAA/GM



PROJECT NO. W-5516  
 ROWAN COUNTY  
 STATION: 61+79.40 -L-  
 SHEET 2 OF 4

STATE OF NORTH CAROLINA  
 DEPARTMENT OF TRANSPORTATION  
 RALEIGH  
 STANDARD  
 72" PRESTRESSED CONCRETE  
 MODIFIED BULB TEE  
 CONTINUOUS FOR LIVE LOAD  
 (SPANS "B", "C" & "D")

REVISIONS					
NO.	BY:	DATE:	NO.	BY:	DATE:
1			3		
2			4		

SHEET NO.	
TOTAL SHEETS	41