

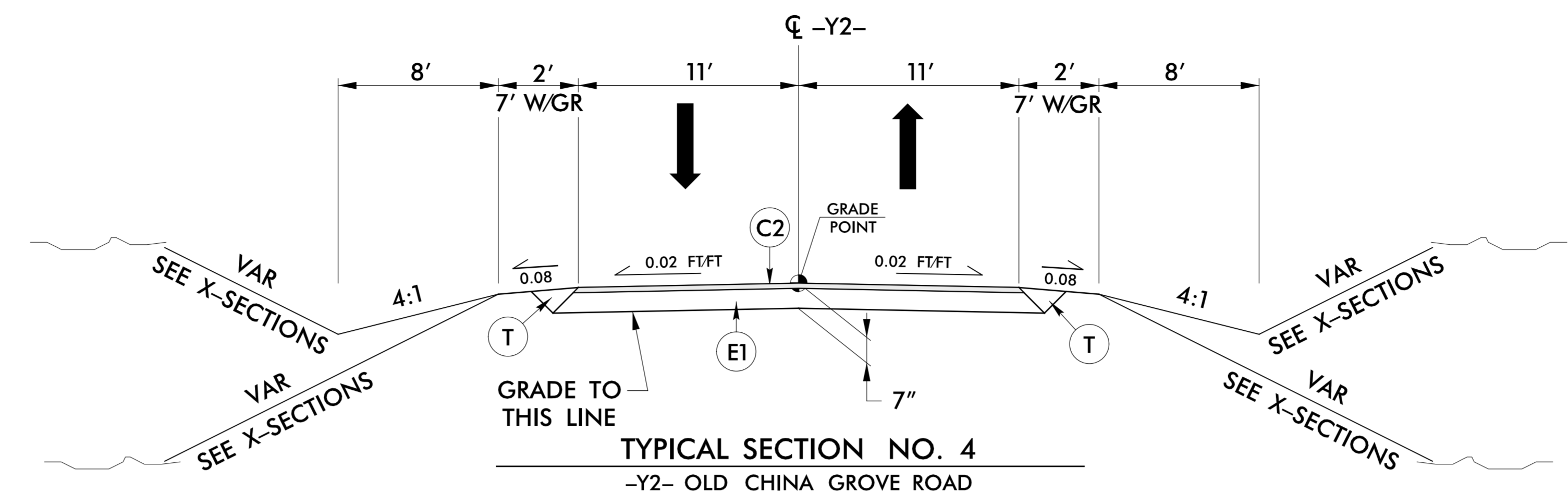
5/14/09

6/25/2015 P:\Projects\5516.rdy-tp.dgn

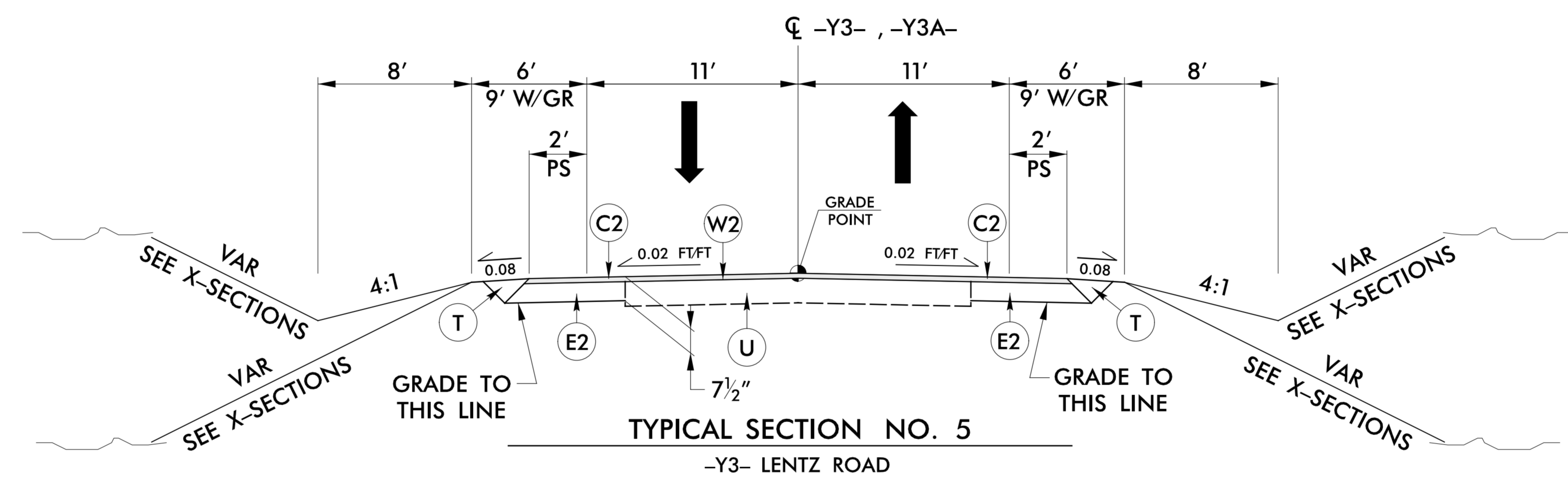
C1	1 1/2" S9.5B
C2	3" S9.5B
C3	VAR S9.5B
D1	2 1/2" I19.0B
D2	VAR I19.0B
E1	4" B25.0B
E2	4 1/2" B25.0B
E3	5" B25.0B
E4	VAR B25.0B
J	6" ABC
K	STABILIZATION
N	GEOTEXTILE
T	EARTH MATERIAL
U	EXIST. PAVEMENT
W	VAR WEDGING

**ICA Engineering**  
 5121 Kingdom Way,  
 Suite 100  
 Raleigh, NC 27607  
 NC License No: F-0258

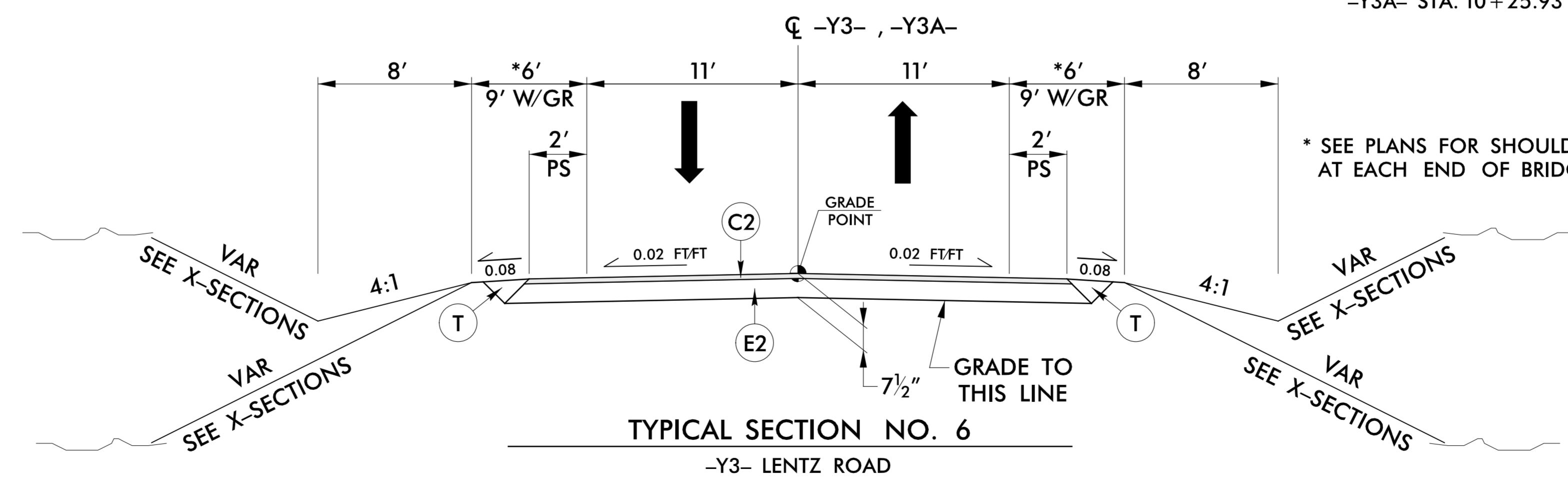
PROJECT REFERENCE NO. W-5516	SHEET NO. 2A-2
R/W SHEET NO.	
ROADWAY DESIGN ENGINEER DAVID C. WALLER SEAL 22606 DocuSigned by: David C. Waller 6/25/2015	PAVEMENT DESIGN ENGINEER CLARK S. MORRISON SEAL 022896 DocuSigned by: Clark S. Morrison 6/29/2015



USE TYPICAL SECTION NO. 4 FOR:  
 -Y2- STA. 13+10.00 TO STA. 15+18.98



USE TYPICAL SECTION NO. 5 FOR:  
 -Y3- STA. 11+15.00 TO STA. 14+50.00  
 -Y3A- STA. 10+25.93 TO STA. 10+75.16



\* SEE PLANS FOR SHOULDER TAPERS AT EACH END OF BRIDGE

USE TYPICAL SECTION NO. 6 FOR:  
 -Y3- STA. 14+50.00 TO STA. 19+56.50  
 -Y3A- STA. 10+75.16 TO STA. 11+44.95