
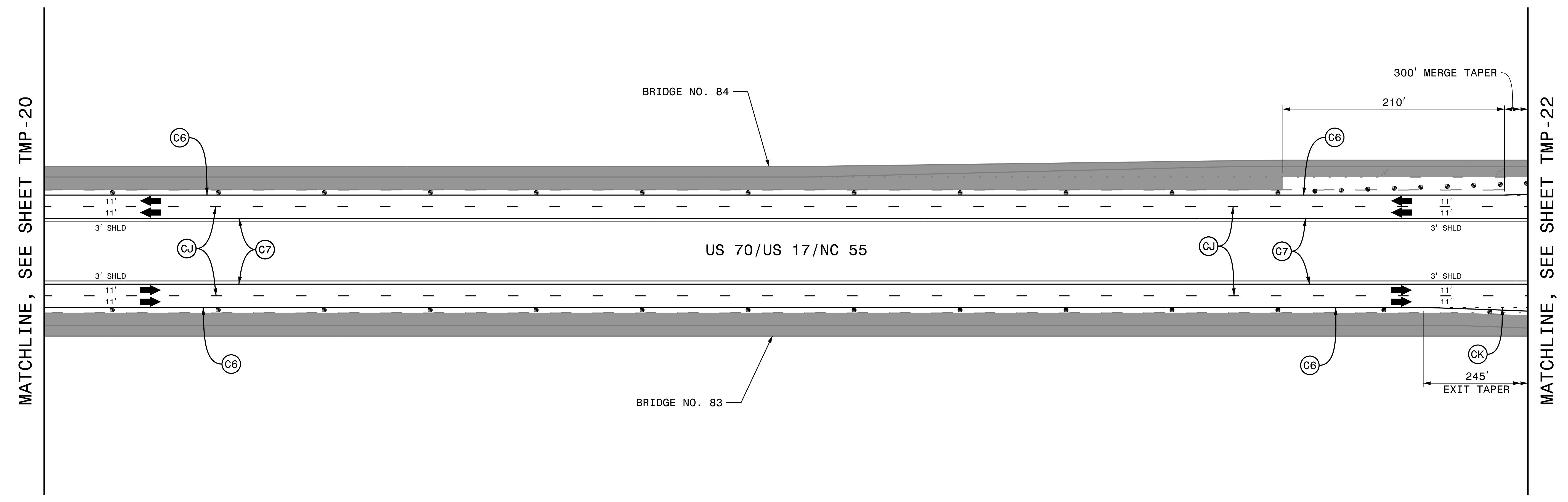
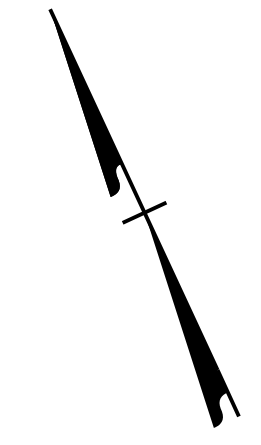
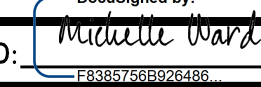



PLOT DRIVER: NCDOT\_pdf\_color\_eng\_50.plt PENTABLE: NCDOT\_tcp.tbl  
 USER: AFaulkne DATE: 7/14/2015 TIME: 4:15:24 PM  
 FILE: p:\p\WAPP\TFA01\SouthEast\_Tampa\Documents\000166\CON007959\CON0096213\00000000250061\6.0.CAD.BIM\6.2.Work\_In\_Progress\BP-5500FF\_TrafficControl\TCP\BP-5500FF\_TMP-TMP-21.dgn

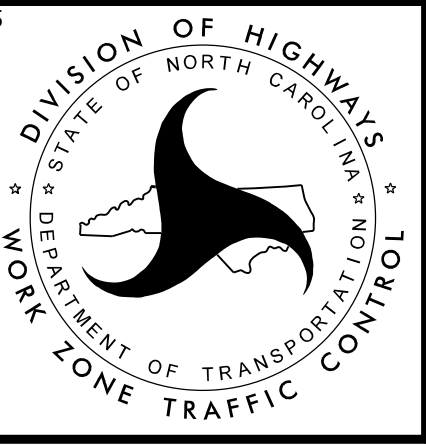
REVISIONS

PROJ. REFERENCE NO.	SHEET NO.
BP-5500FF	TMP-21
 HDR Engineering, Inc. of the Carolinas 3733 National Drive, Suite 207 Raleigh, N.C. 27612 N.C.B.E.L.S. License Number: F-0116	



APPROVED:  DATE: 7/15/2015

SEAL 



STAGE 3  
 BRIDGE 83, 84 & 222