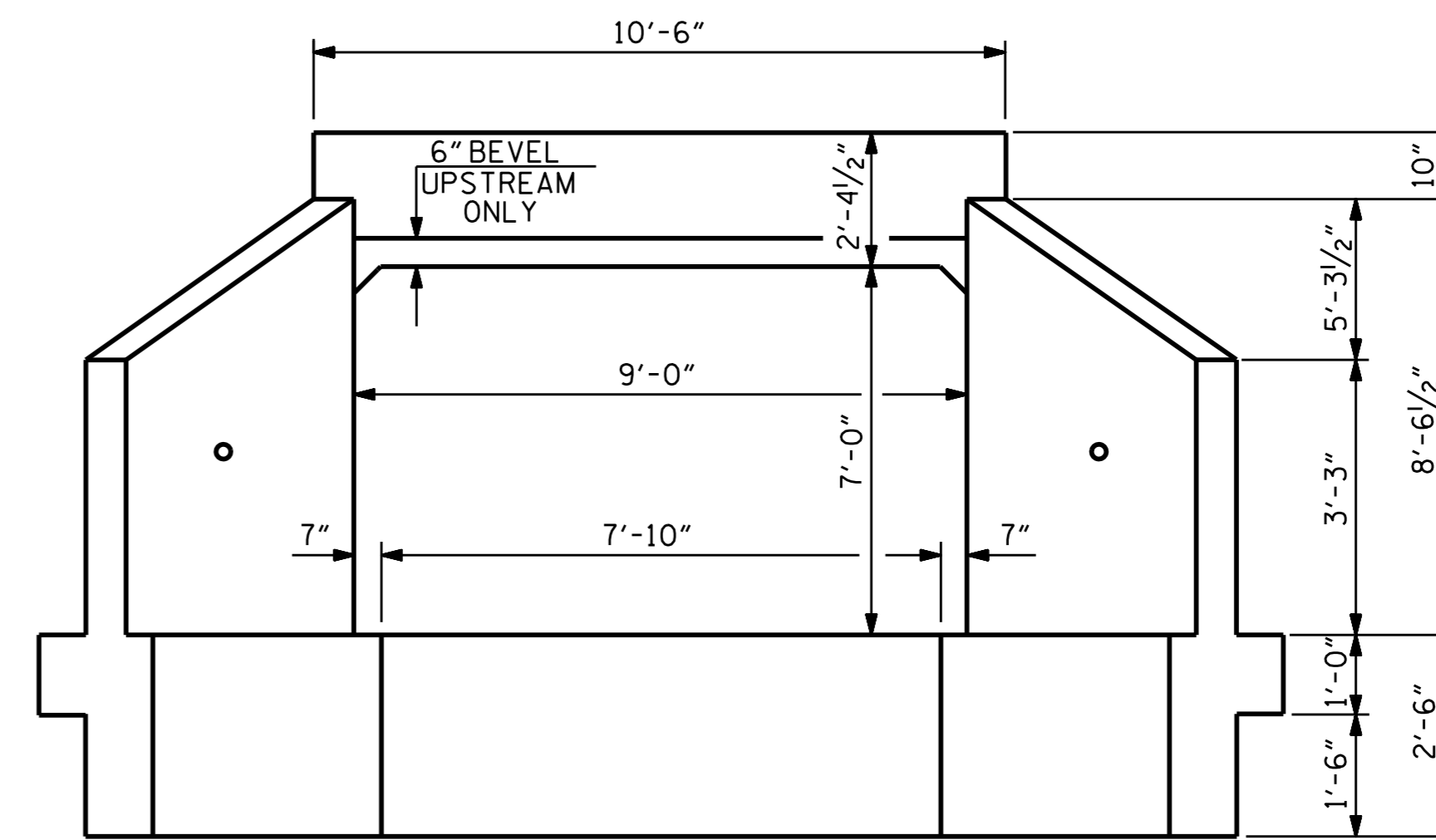
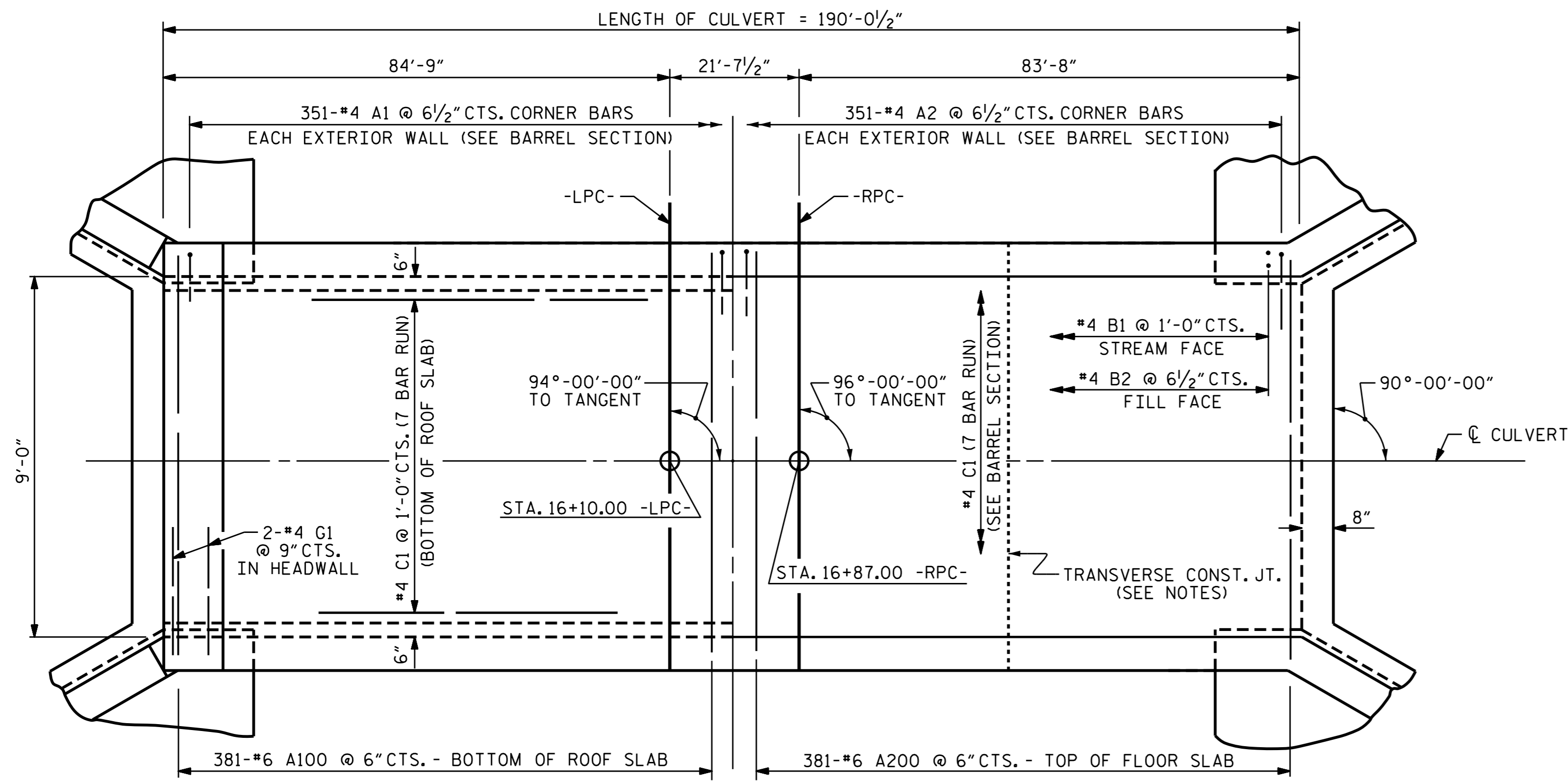


CULVERT SECTION NORMAL TO ROADWAY

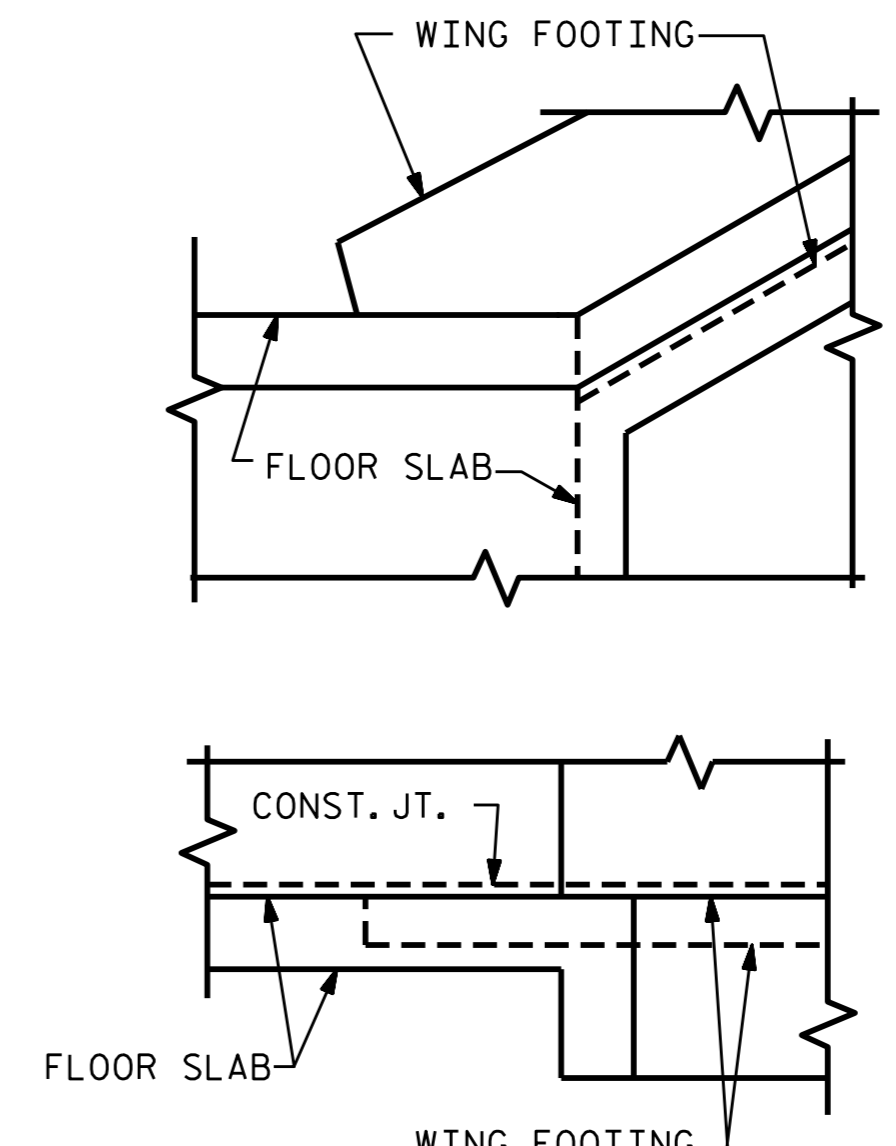


END ELEVATION



PART PLAN - ROOF SLAB

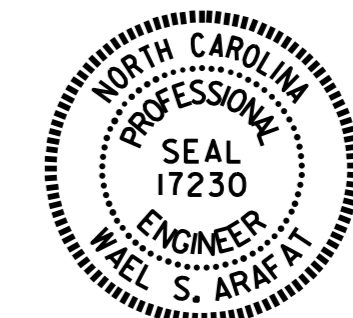
PART PLAN - FLOOR SLAB



DETAIL

CONNECTION OF WING FOOTING AND FLOOR SLAB WHEN SLAB IS THICKER THAN FOOTING

PROJECT NO. R-2915A
WATAUGA/ASHE COUNTY
 STATION: 16+10.00 -LPC- / 16+87.00 -RPC-
 SHEET 2 OF 5



STATE OF NORTH CAROLINA
 DEPARTMENT OF TRANSPORTATION
 RALEIGH
 SINGLE 9 FT. X 7 FT.
 CONCRETE BOX CULVERT

REVISED 8-28-92 BY E.L.R. CHECKED BY G.R.P.
 REVISED 8-22-89 BY A.R.B. CHECKED BY C.R.K.
 REDRAWN 8-22-1989
 REVISED 11-19-99 BY M.M. CHECKED BY R.W.W.

ASSEMBLED BY : M.K. BEARD	DATE : 2/23/15	SPECIAL	DESIGN ENGINEER OF RECORD: J.P. McCARTHA DATE : 4/14/15
CHECKED BY : H.T. BARBOUR	DATE : 3/20/15		
DRAWN BY : R. WRIGHT	DATE : AUG. 1989	STANDARD	
CHECKED BY : A.R. BISSETTE	DATE : AUG. 1989		

REVISIONS				SHEET NO.
NO.	BY:	DATE:	NO.	DATE:
1			3	
2			4	

TOTAL SHEETS 20