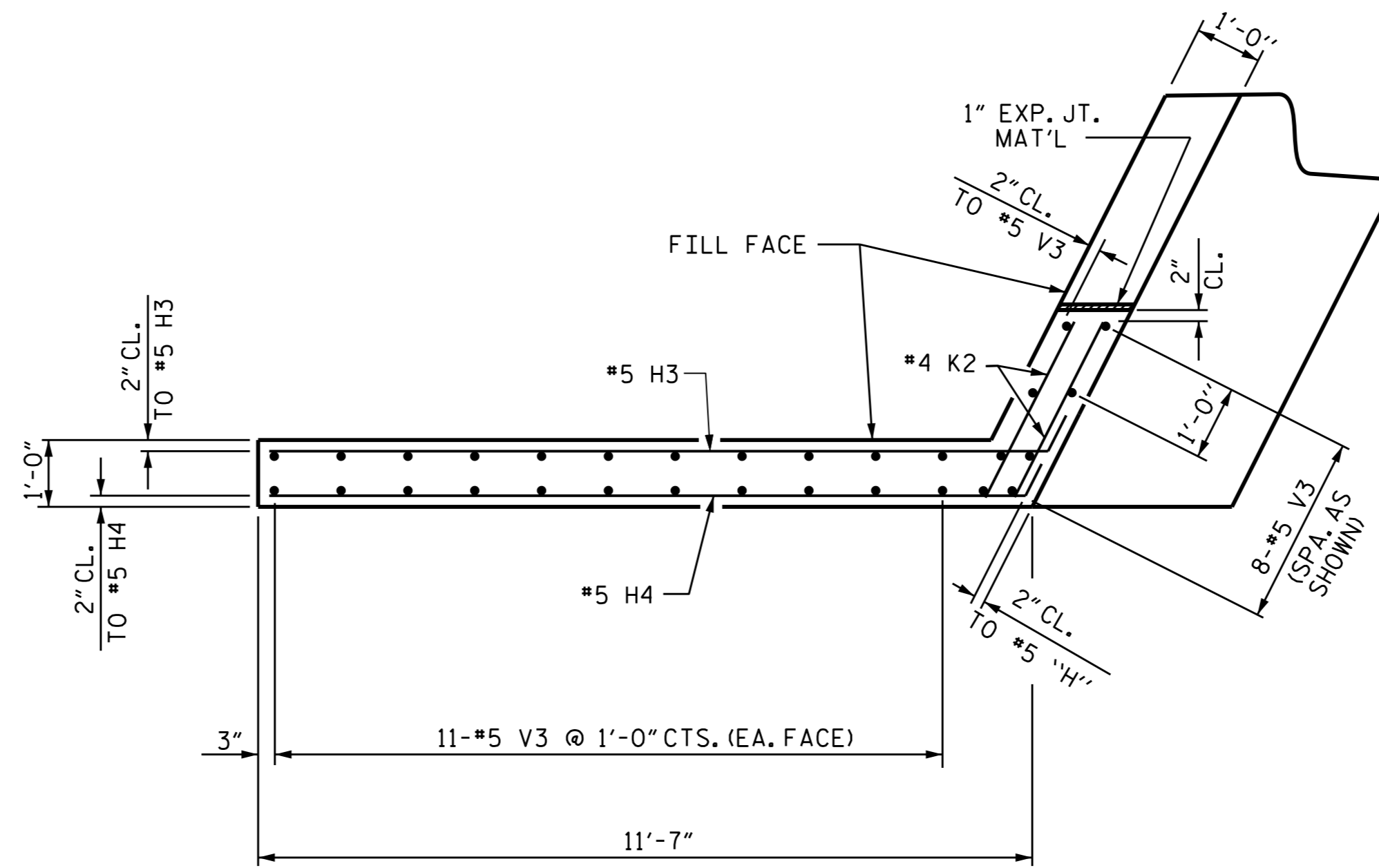
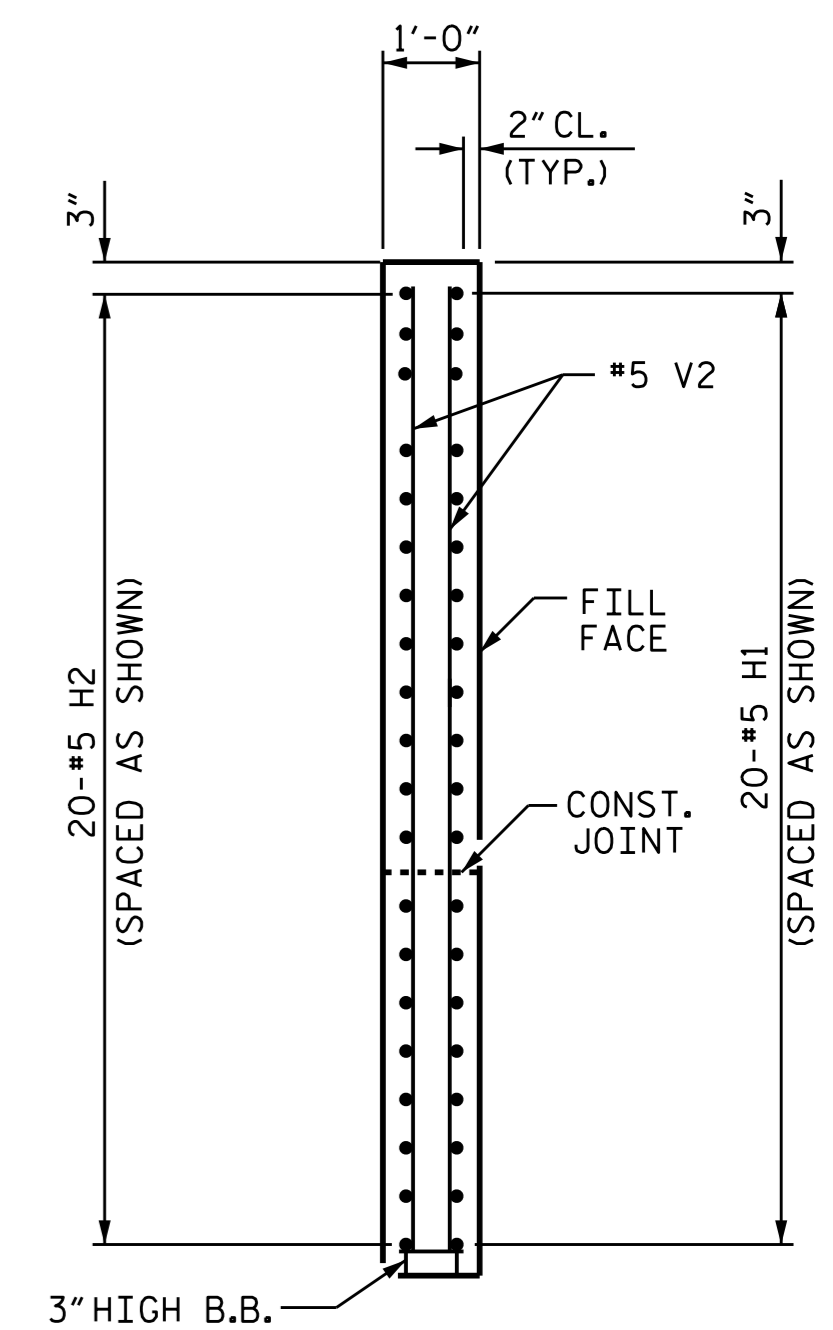


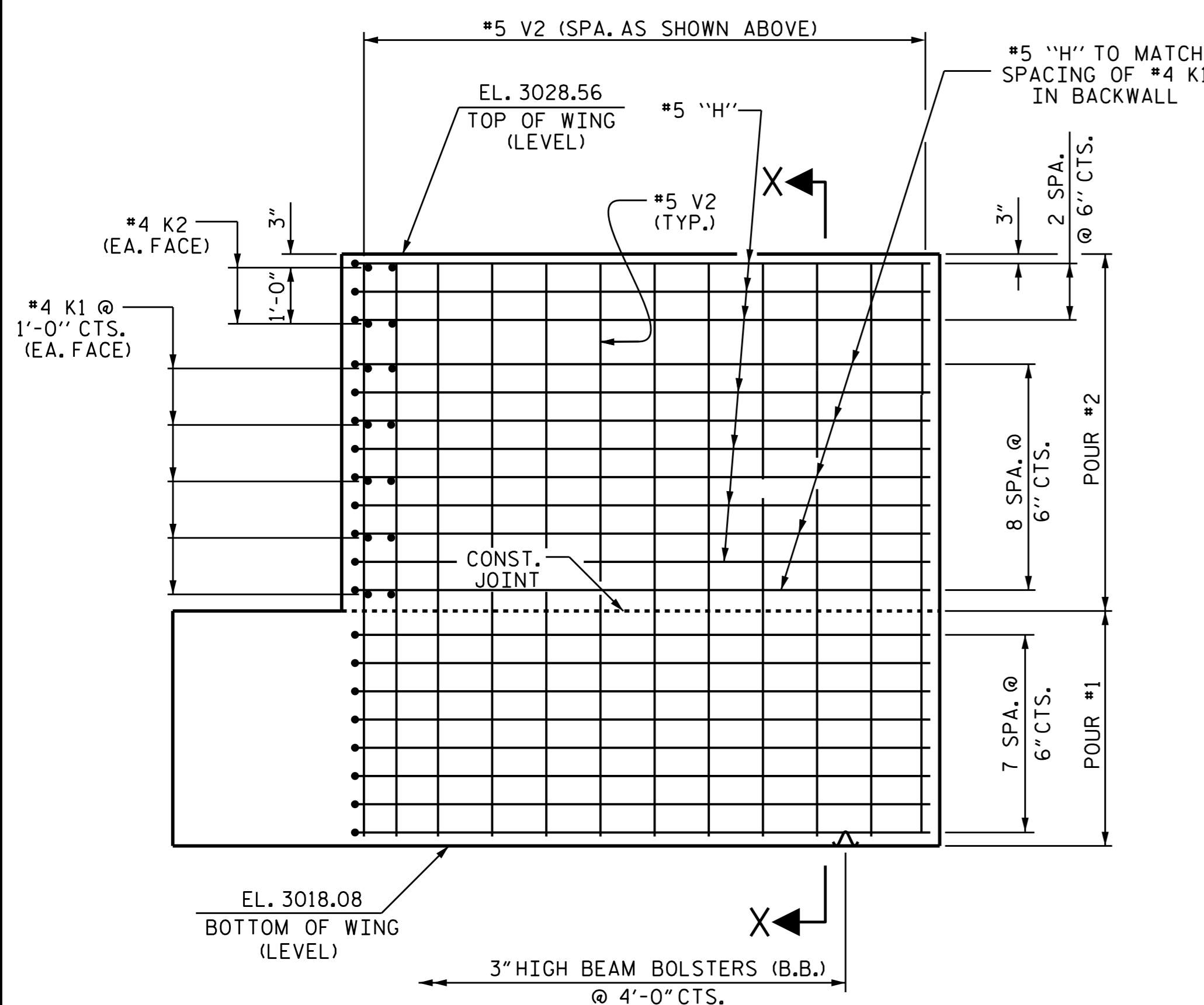
PLAN OF WING - W1



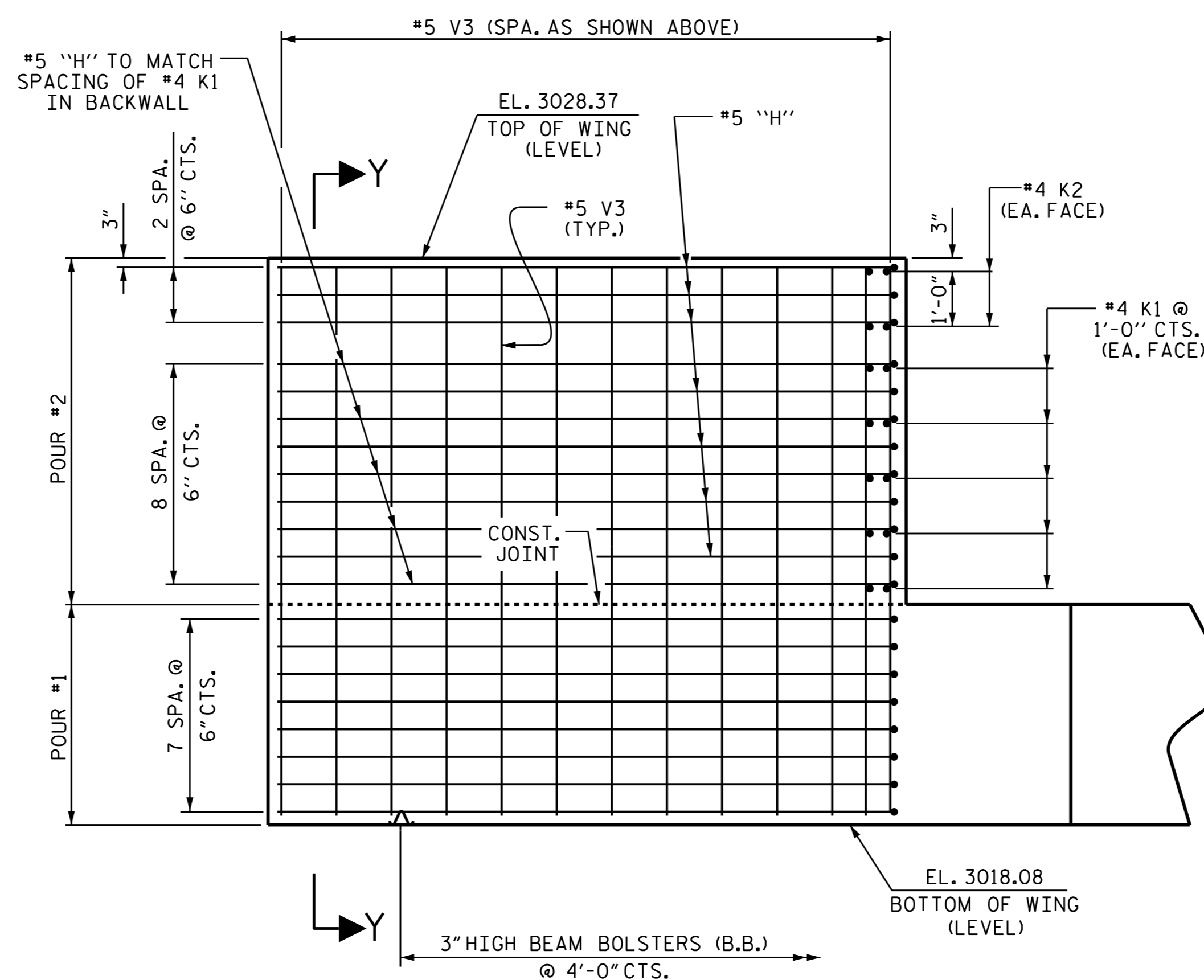
PLAN OF WING - W2



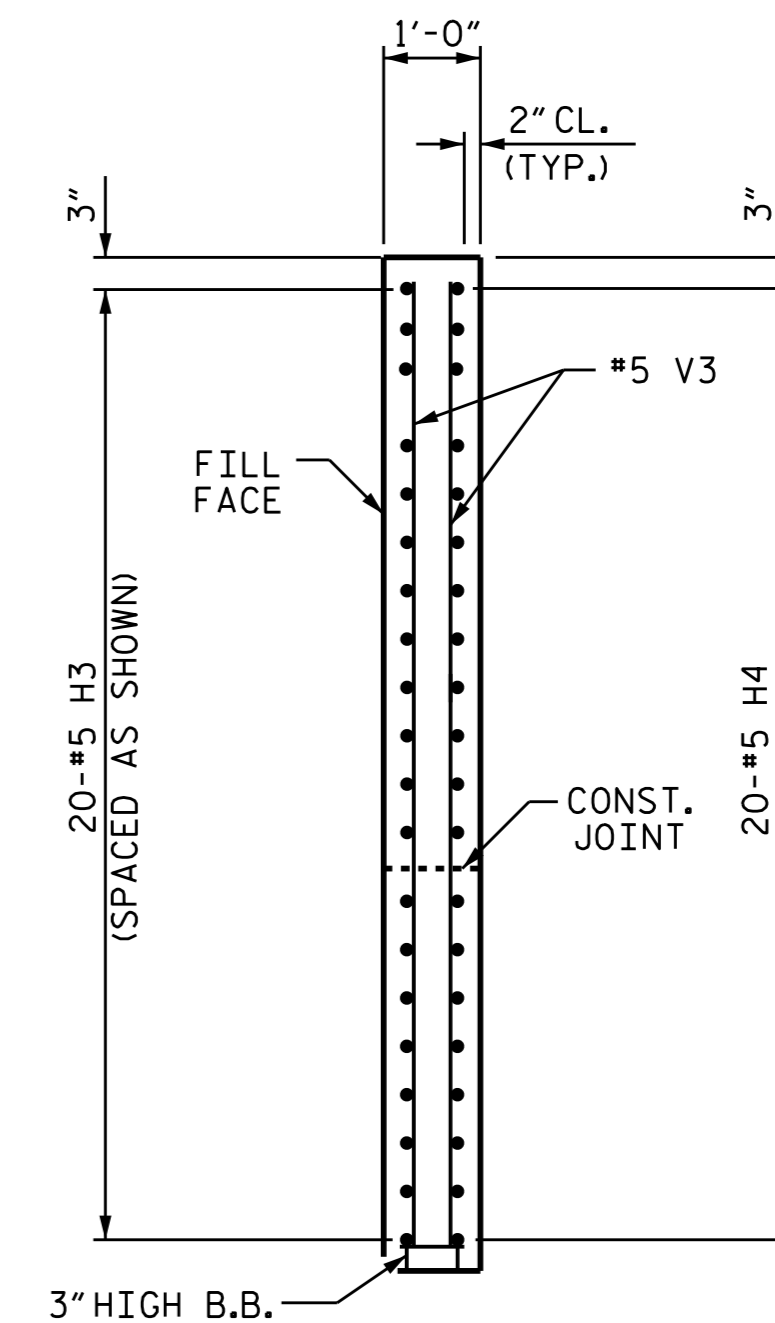
SECTION X-X



ELEVATION OF WING - W1



ELEVATION OF WING - W2



SECTION Y-Y

PROJECT NO. R-2915A  
 WATAUGA/ASHE COUNTY  
 STATION: 11+18.63 -L-

SHEET 2 OF 3

STATE OF NORTH CAROLINA  
 DEPARTMENT OF TRANSPORTATION  
 RALEIGH

SUBSTRUCTURE

END BENT No. 1



DRAWN BY: V.X. NGUYEN DATE: 10-09-14  
 CHECKED BY: J.P. MCCARTHA DATE: 3-16-15  
 DESIGN ENGINEER OF RECORD: A.M. LEE DATE: 4-9-15

REVISIONS						SHEET NO.
NO.	BY:	DATE:	NO.	BY:	DATE:	TOTAL SHEETS
1			3			31
2			4			