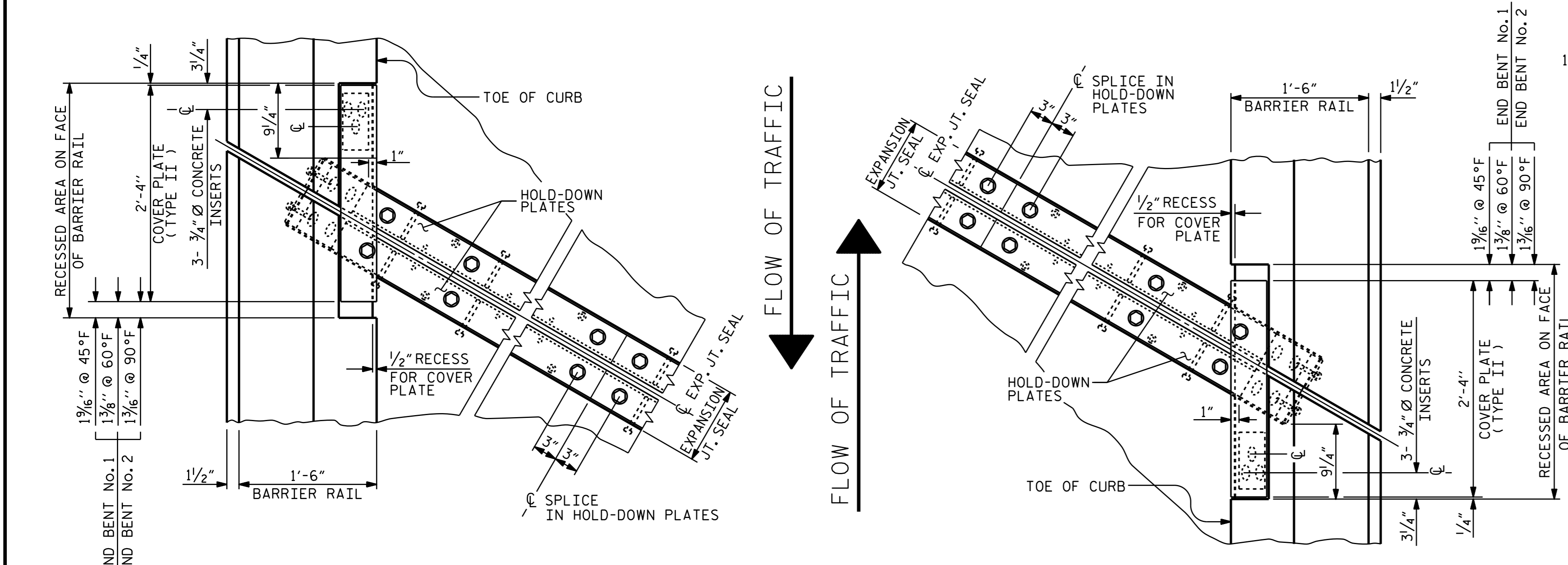


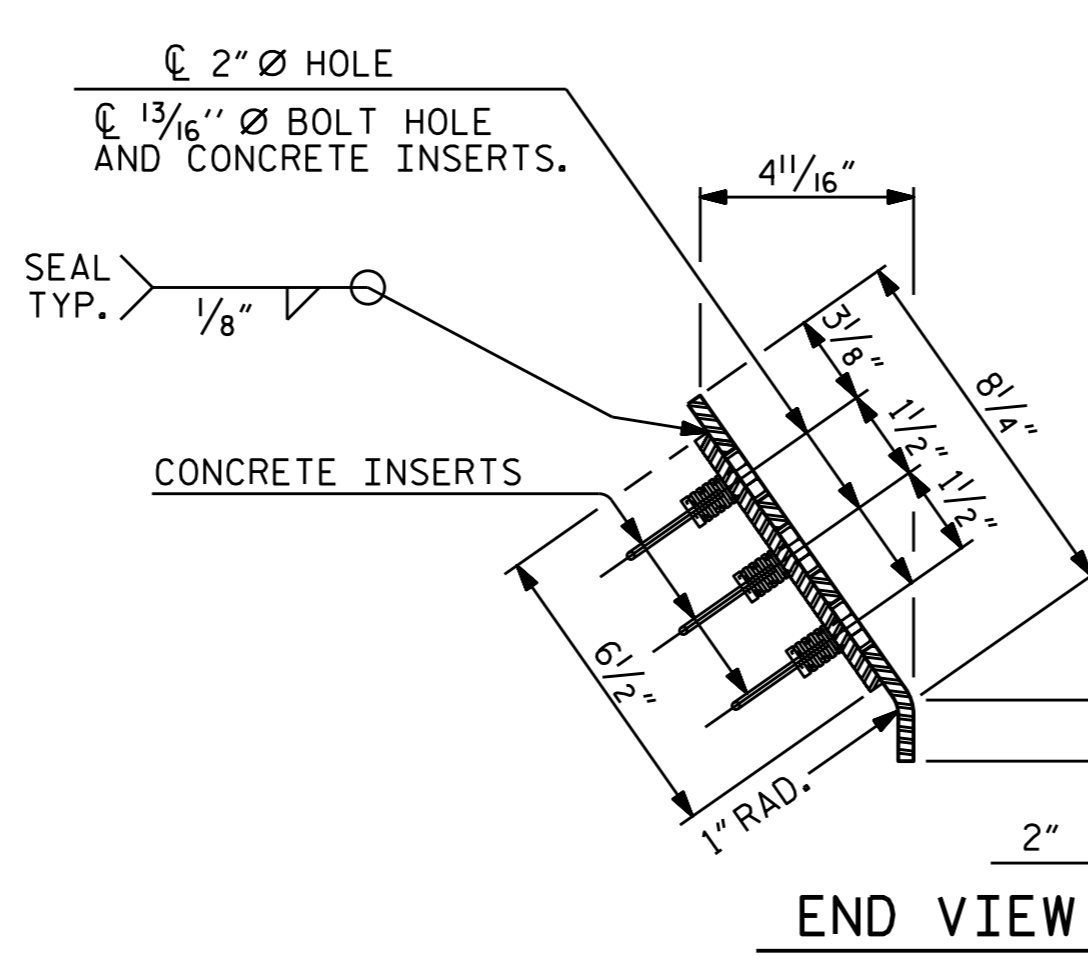
SECTION THRU RAIL NORMAL TO JOINT



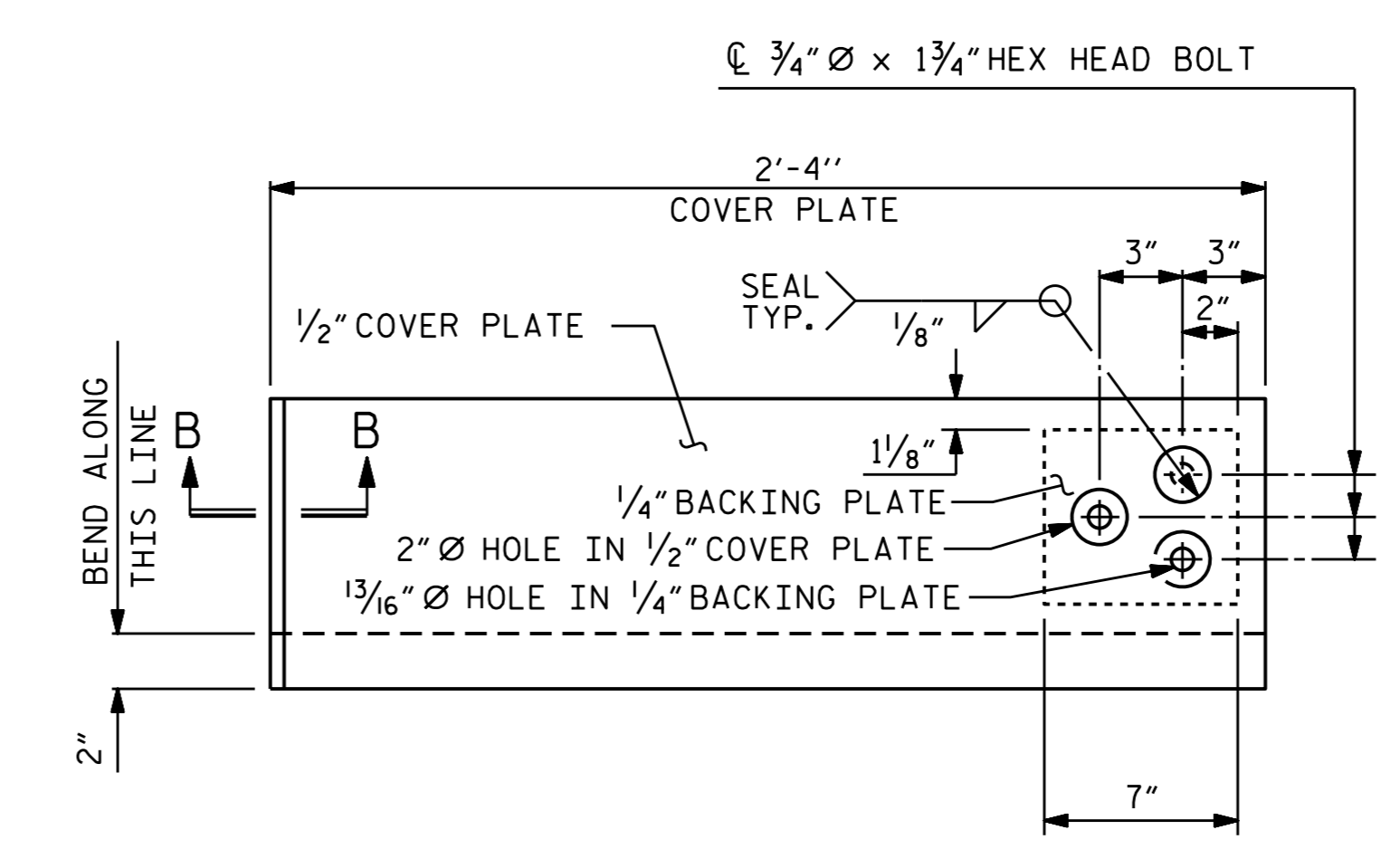
PLAN OF EXPANSION JOINT SEAL

ASSEMBLED BY : V.X. NGUYEN DATE : 8-11-14  
 CHECKED BY : D. HODGE DATE : 1-15  
 DRAWN BY : REK 9/87 MAA/GM  
 CHECKED BY : CRK 10/87 REV. 10/1/11 MAA/GM  
 REV. 7/12 MAA/GM  
 REV. 6/13 MAA/GM

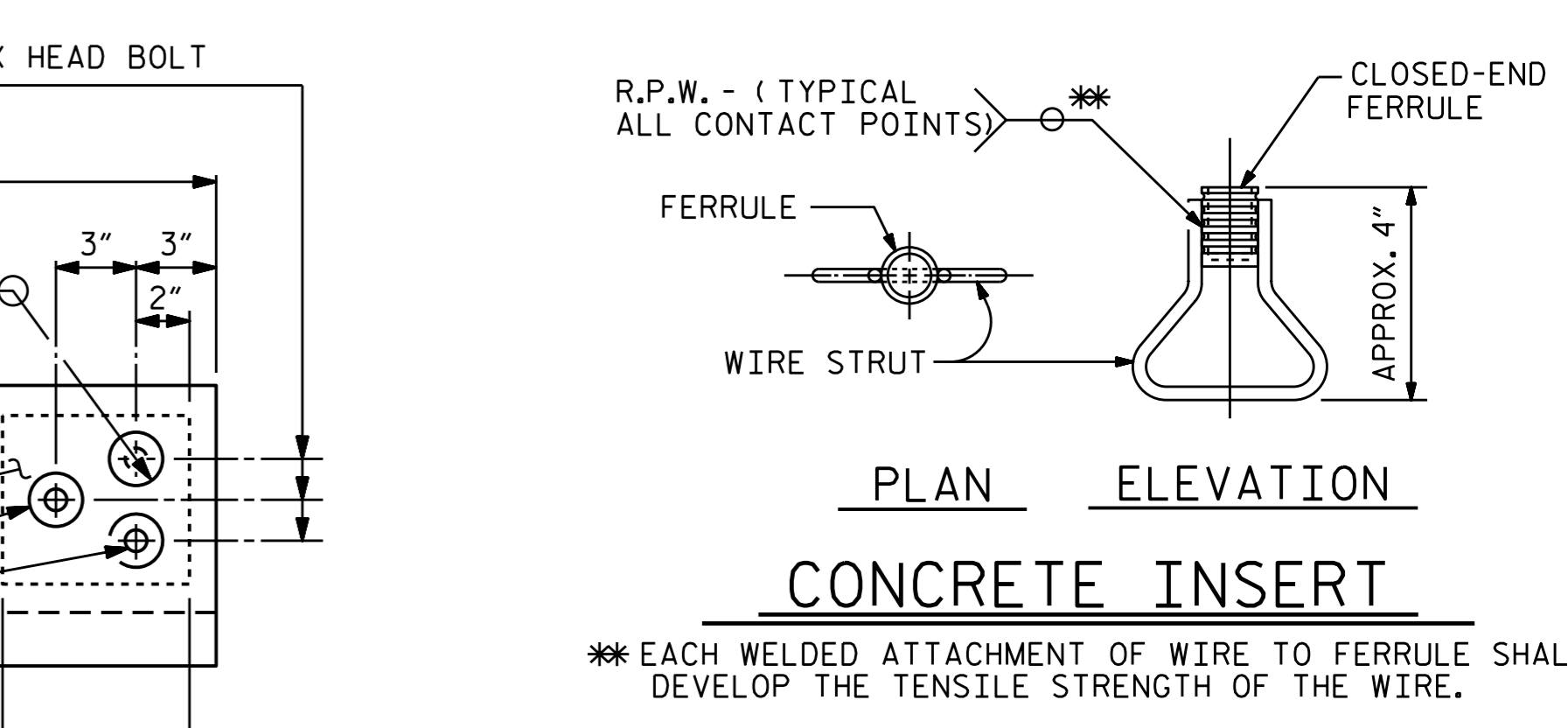
DESIGN ENGINEER OF RECORD: A.M. LEE DATE : 4-15



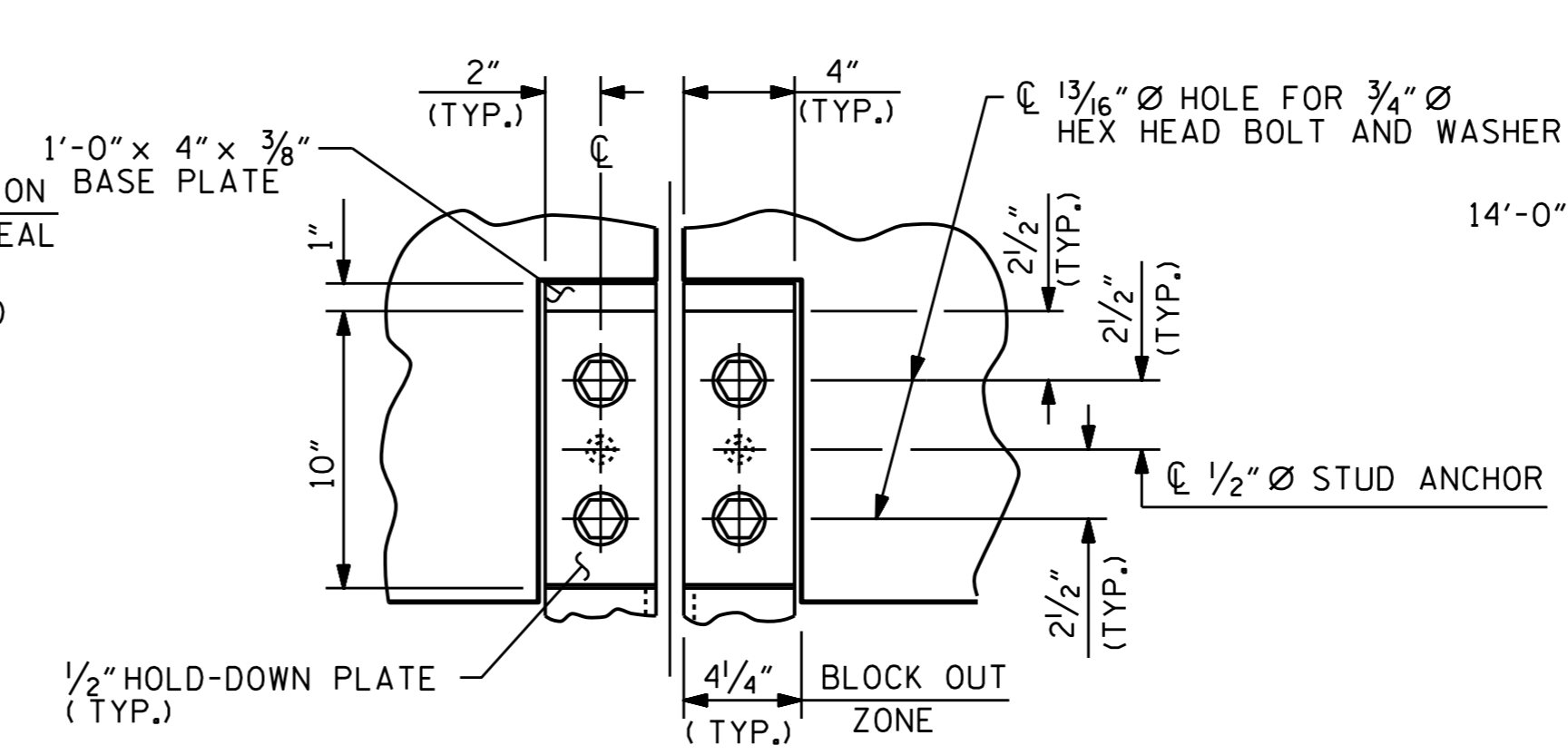
END VIEW



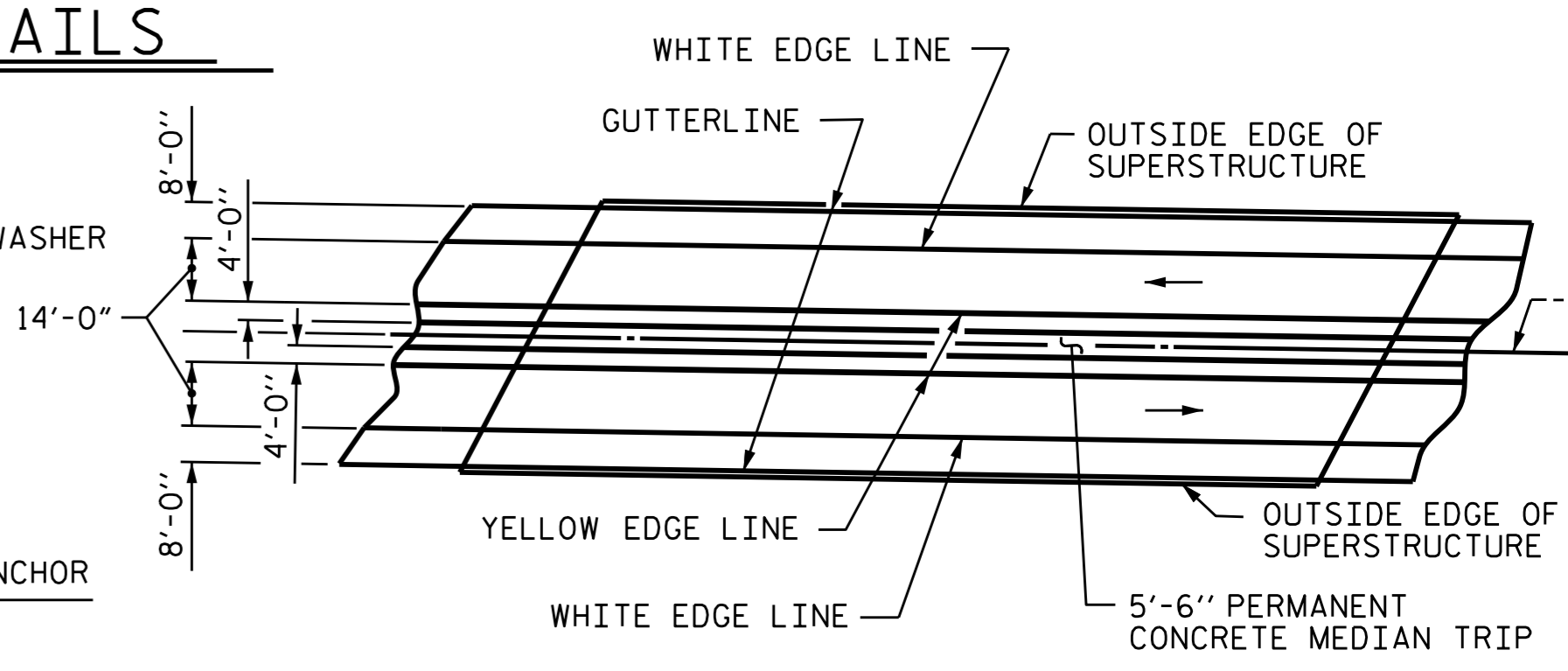
TYPE II - ELEVATION VIEW  
COVER PLATE DETAILS



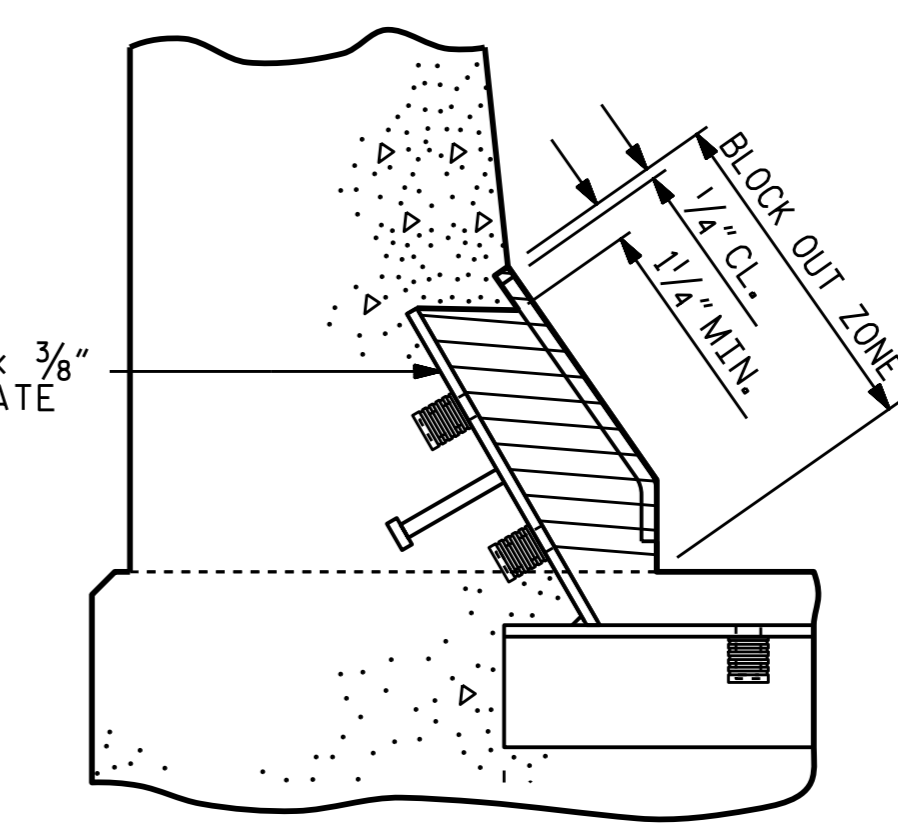
CONCRETE INSERT



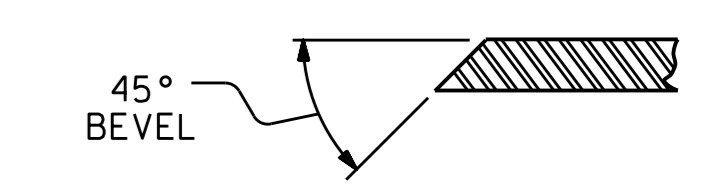
SECTION A-A



PAVEMENT MARKING ALIGNMENT



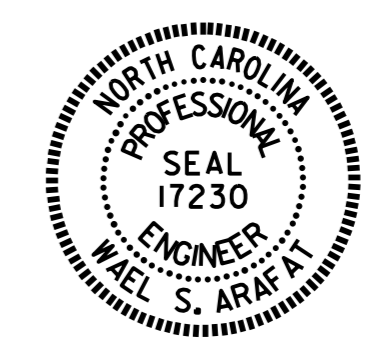
BLOCK OUT DETAIL  
SEE "SECTION A - A" FOR OTHER DETAILS.



SECTION B - B

PROJECT NO. R-2915A  
 WATAUGA/ASHE COUNTY  
 STATION: 11+18.63 -L-

SHEET 2 OF 2



STATE OF NORTH CAROLINA  
 DEPARTMENT OF TRANSPORTATION  
 RALEIGH  
 STANDARD  
 EXPANSION JOINT  
 SEAL DETAILS  
 FOR BARRIER RAIL

REVISIONS						SHEET NO.
NO.	BY:	DATE:	NO.	BY:	DATE:	S-19
1			3			TOTAL SHEETS
2			4			31

STR. #1 STD. NO. EJS2 SHT 2