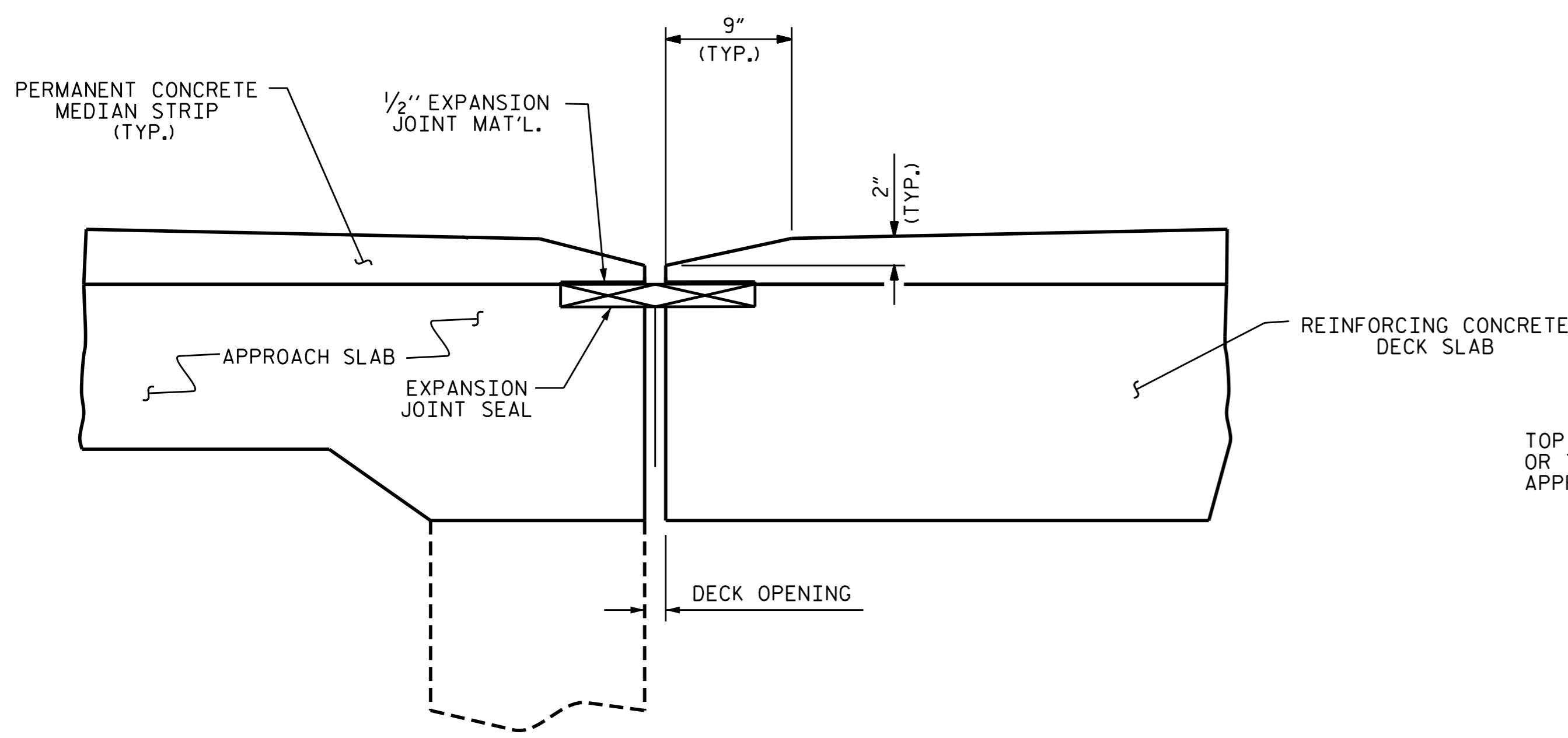
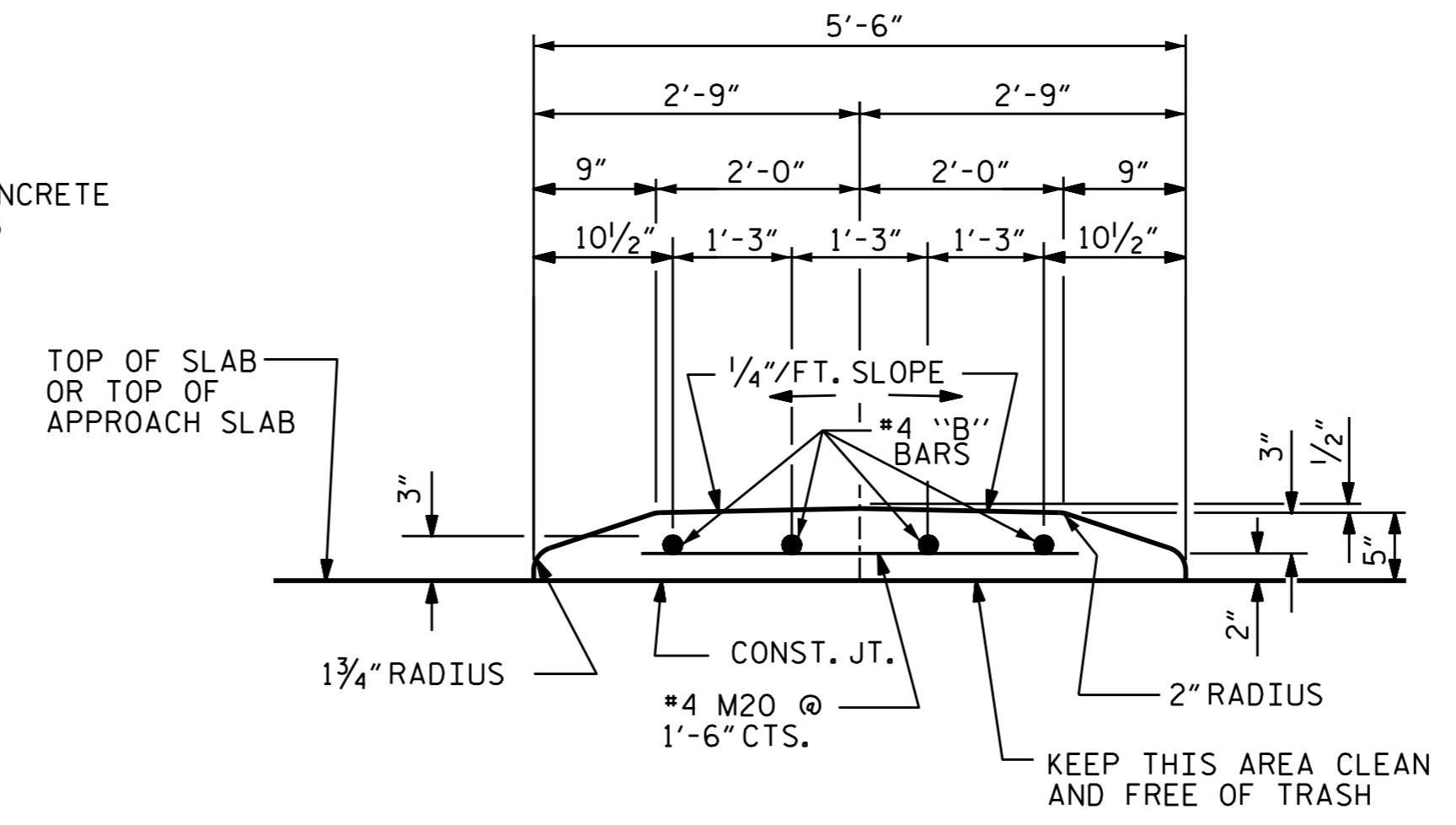


PLAN - PERMANENT CONCRETE MEDIAN STRIP



PERMANENT CONCRETE MEDIAN STRIP AT END BENT



SECTION THRU PERMANENT CONCRETE MEDIAN STRIP

NOTES

THE PERMANENT CONCRETE MEDIAN STRIP IN EACH CONTINUOUS UNIT SHALL NOT BE CAST UNTIL ALL SLAB CONCRETE IN THAT UNIT HAS BEEN CAST AND HAS REACHED A MINIMUM COMPRESSIVE STRENGTH OF 3,000 PSI.

ALL REINFORCING IN PERMANENT CONCRETE MEDIAN STRIP SHALL BE EPOXY COATED.

GROOVED CONTRACTION JOINTS 1/2" IN DEPTH, SHALL BE TOOLED IN ALL EXPOSED FACES OF PERMANENT CONCRETE MEDIAN STRIP IN ACCORDANCE WITH ARTICLE 825-10(B) OF THE STANDARD SPECIFICATIONS. THE CONTRACTION JOINTS SHALL BE LOCATED AT A SPACING OF 8 FEET TO 10 FEET BETWEEN EXPANSION JOINTS. NO CONTRACTION JOINTS WILL BE REQUIRED FOR SEGMENTS LESS THAN 10 FEET IN LENGTH.

NO SEPARATE MEASUREMENT OR PAYMENT WILL BE MADE FOR MATERIALS OR LABOR REQUIRED TO CONSTRUCT THE PERMANENT CONCRETE MEDIAN STRIP. THE ENTIRE COST OF THIS WORK SHALL BE INCLUDED IN THE UNIT PRICE BID FOR REINFORCED CONCRETE DECK SLAB.

| BILL OF MATERIAL                     |                   |     |      |      |        |        |      |
|--------------------------------------|-------------------|-----|------|------|--------|--------|------|
| PERMANENT CONCRETE MEDIAN STRIP      |                   |     |      |      |        |        |      |
|                                      | BAR               | NO. | SIZE | TYPE | LENGTH | WEIGHT |      |
| APPROACH SLAB @ END BENT No. 1       | B21               | 4   | 4    | STR  | 24'-1" | 64     |      |
|                                      | M20               | 17  | 4    | STR  | 4'-2"  | 47     |      |
|                                      | SUB TOTAL         |     |      |      |        | LBS.   | 111  |
| SPANS A & B                          | B20               | 28  | 4    | STR  | 27'-4" | 511    |      |
|                                      | M20               | 121 | 4    | STR  | 4'-2"  | 337    |      |
|                                      | SUB TOTAL         |     |      |      |        | LBS.   | 848  |
| APPROACH SLAB @ END BENT No. 2       | B21               | 4   | 4    | STR  | 24'-1" | 64     |      |
|                                      | M20               | 17  | 4    | STR  | 4'-2"  | 47     |      |
|                                      | SUB TOTAL         |     |      |      |        | LBS.   | 111  |
| TOTAL EPOXY COATED REINFORCING STEEL |                   |     |      |      |        | LBS.   | 1070 |
| APPROACH SLAB @ END BENT No. 1       | CLASS AA CONCRETE |     |      |      | 2.0    | C.Y.   |      |
| SPANS A & B                          | CLASS AA CONCRETE |     |      |      | 14.6   | C.Y.   |      |
| APPROACH SLAB @ END BENT No. 2       | CLASS AA CONCRETE |     |      |      | 2.0    | C.Y.   |      |
| TOTAL CLASS AA CONCRETE              |                   |     |      |      |        | 18.6   | C.Y. |

PROJECT NO. R-2915A  
 WATAUGA/ASHE COUNTY  
 STATION: 11+18.63 -L-

STATE OF NORTH CAROLINA  
 DEPARTMENT OF TRANSPORTATION  
 RALEIGH

SUPERSTRUCTURE  
 PERMANENT CONCRETE  
 MEDIAN STRIP

| REVISIONS |     |       |     |     |       |
|-----------|-----|-------|-----|-----|-------|
| NO.       | BY: | DATE: | NO. | BY: | DATE: |
| 1         |     |       | 3   |     |       |
| 2         |     |       | 4   |     |       |

SHEET NO. S-17  
 TOTAL SHEETS 31

DRAWN BY: V.X. NGUYEN DATE: 8-15-14  
 CHECKED BY: D. HODGE DATE: 1-15  
 DESIGN ENGINEER OF RECORD: A.M. LEE DATE: 4-15

