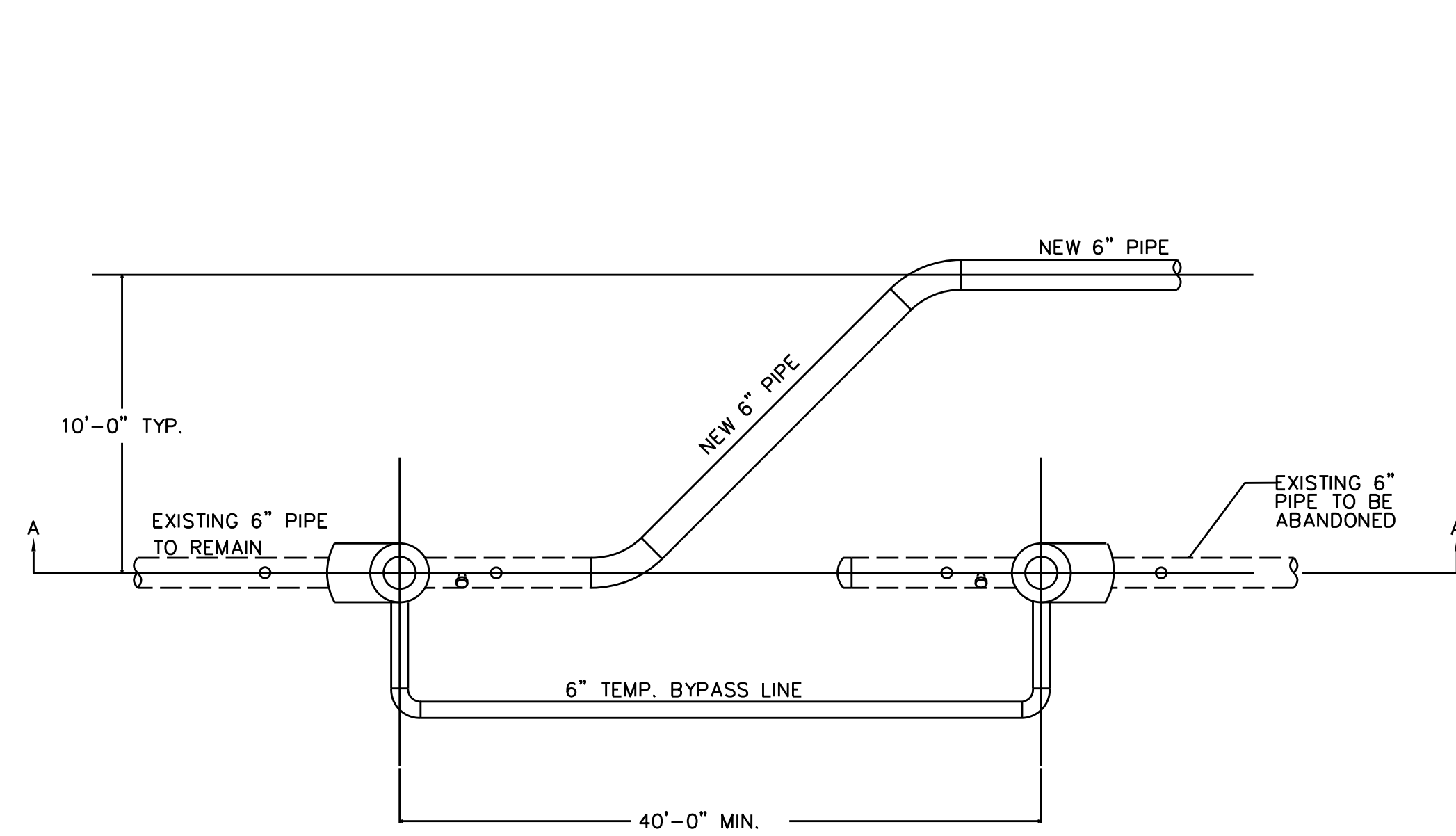


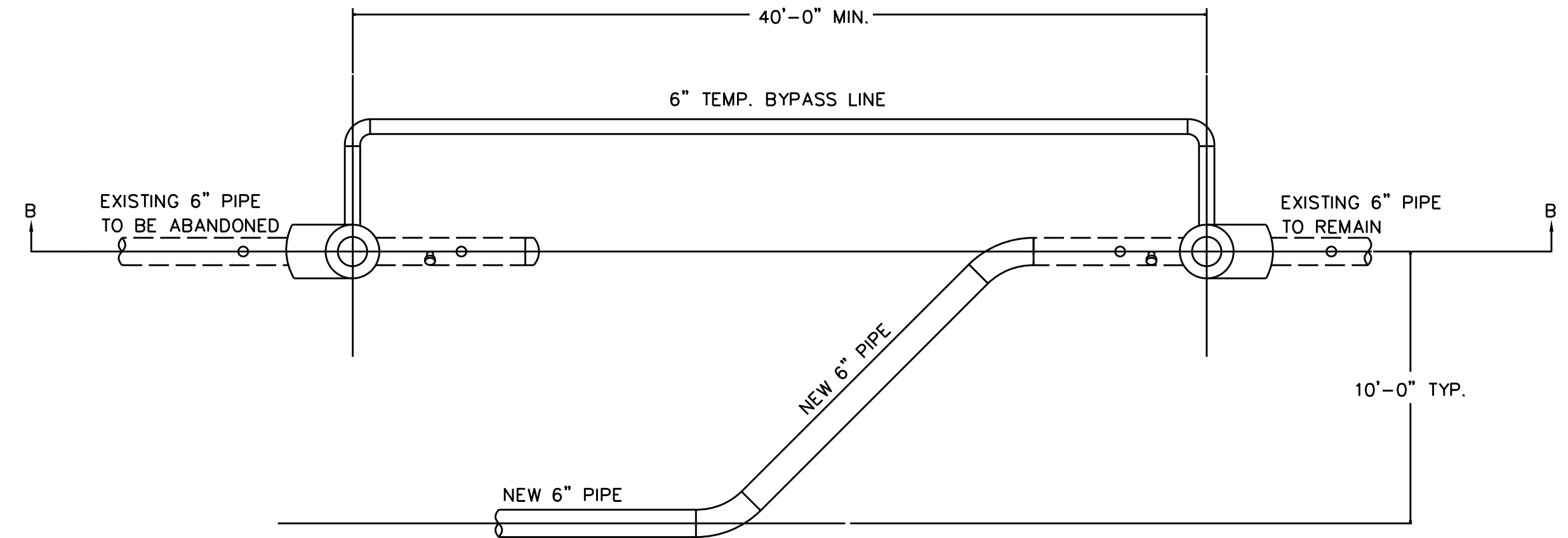
PROJECT REFERENCE NO.	SHEET NO.
R-2915A	UC-3C
DESIGNED BY: SAG	
DRAWN BY: SAG	
CHECKED BY: KCZ	
APPROVED BY: KCZ	
REVISED:	
NORTH CAROLINA DEPARTMENT OF TRANSPORTATION UTILITIES ENGINEERING SEC. PHONE: (919) 707-6690 FAX: (919) 250-4151	
UTILITY CONSTRUCTION PLANS ONLY	

6" BYPASS DETAILS

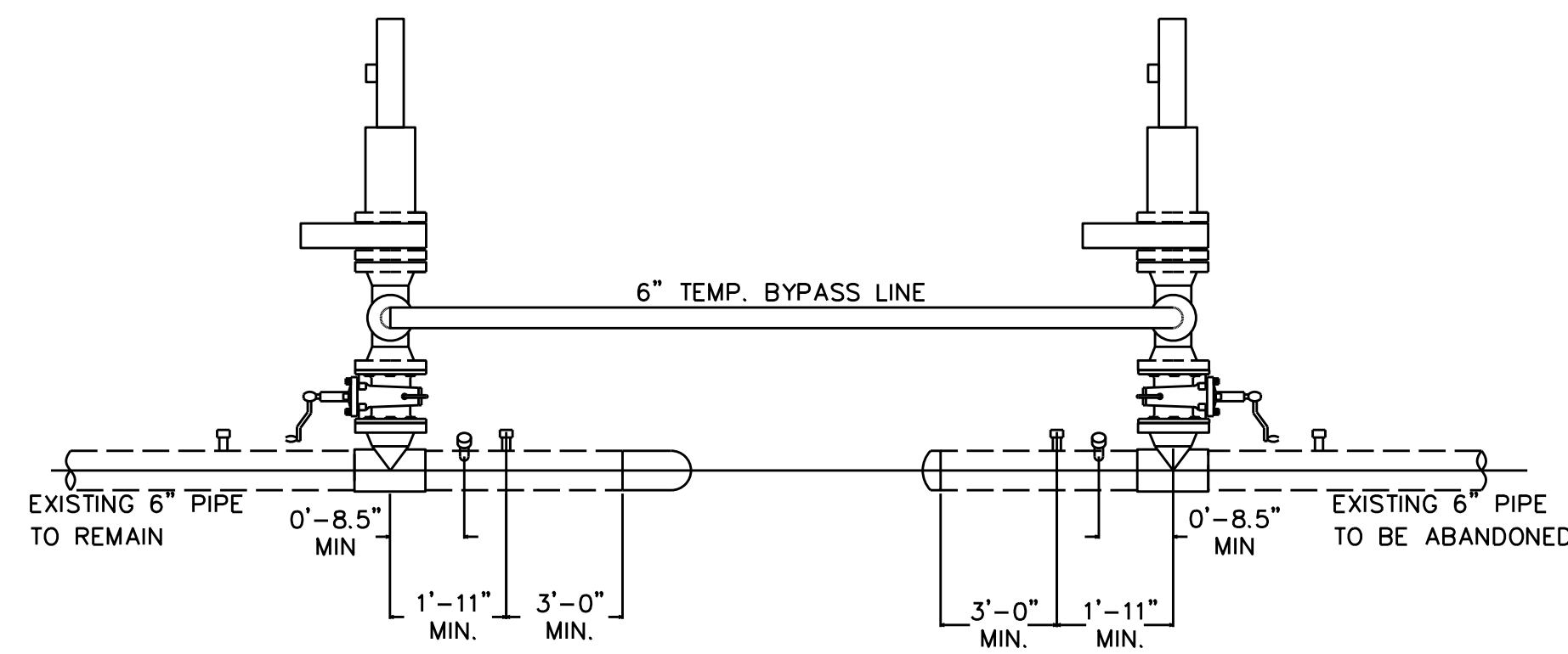
UTILITY CONSTRUCTION



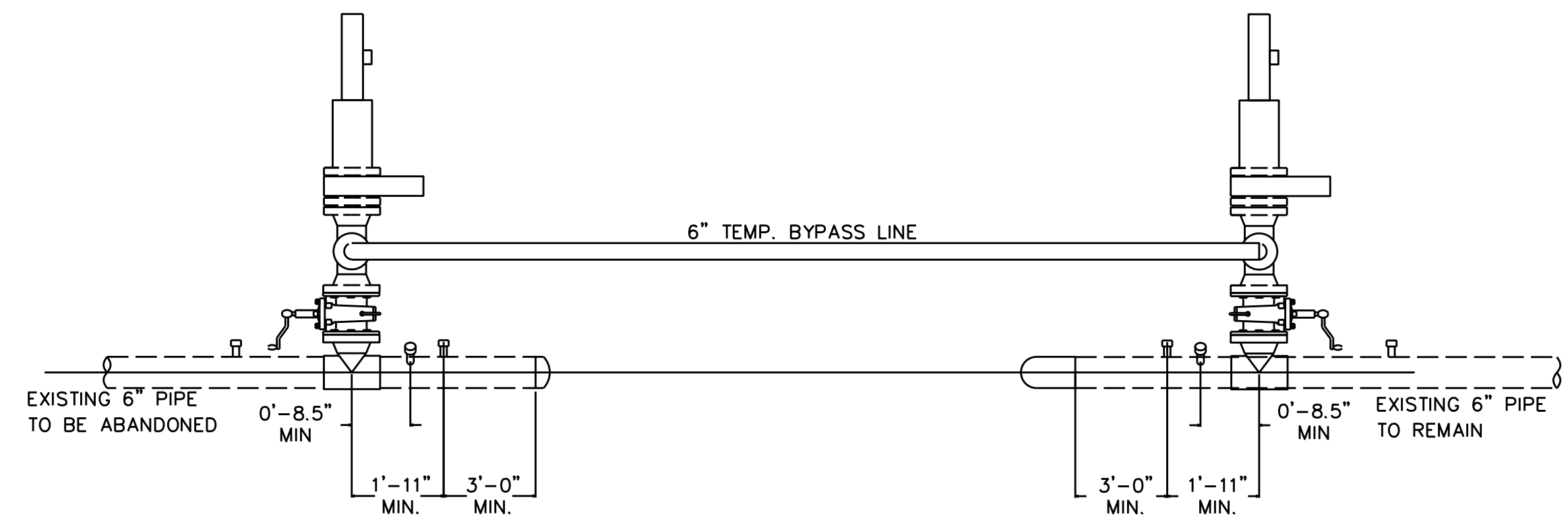
DETAIL-1
PLAN VIEW, NTS



DETAIL-2
PLAN VIEW, NTS



SECTION A-A
NOT TO SCALE
(SEE DETAIL-1, THIS DWG.)



SECTION B-B
NOT TO SCALE
(SEE DETAIL-2, THIS DWG.)

5/14/19