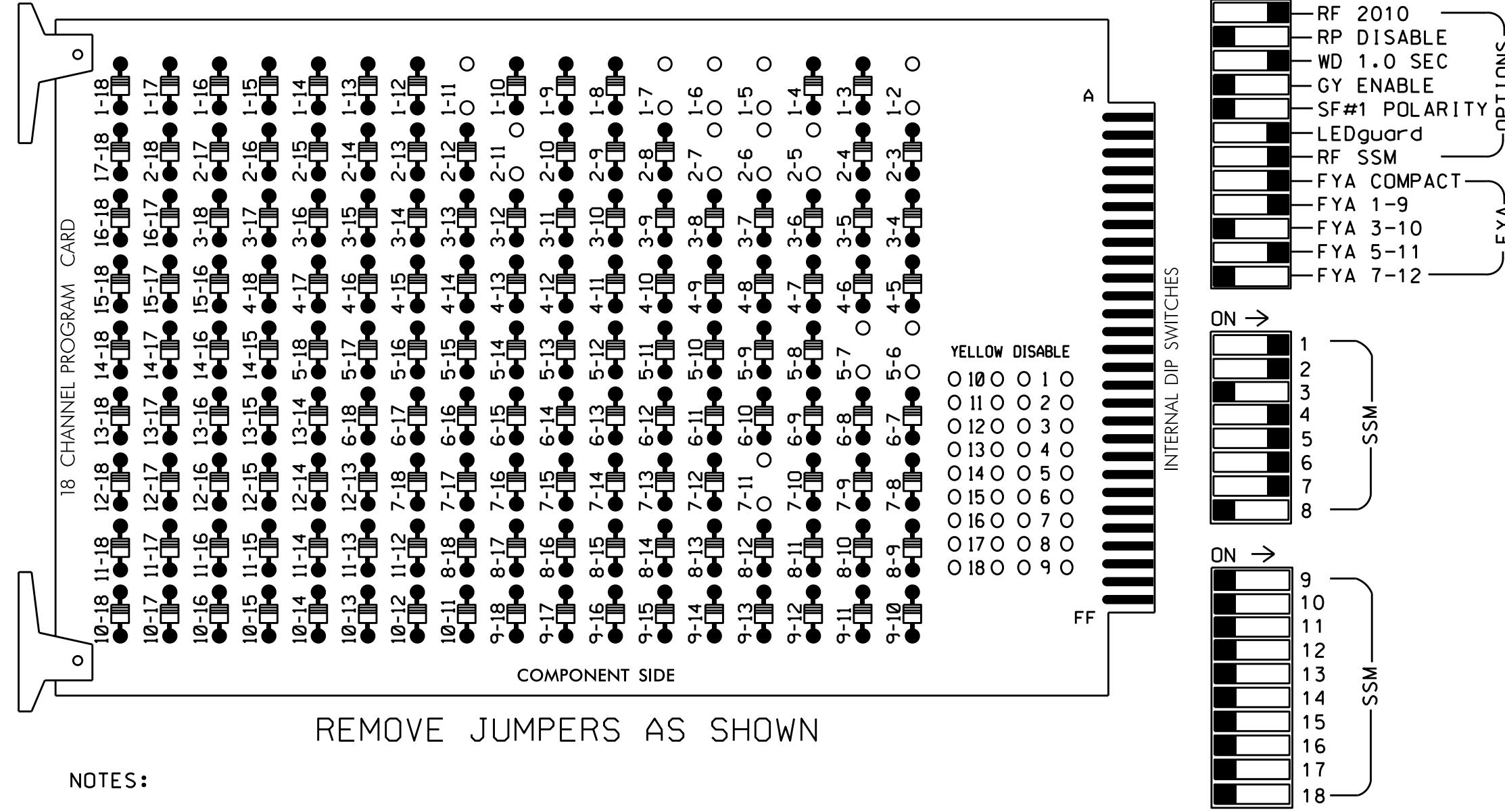


**EDI MODEL 2018ECL-NC CONFLICT MONITOR
PROGRAMMING DETAIL**

(remove jumpers and set switches as shown)

REMOVE DIODE JUMPERS 1-2, 1-5, 1-6, 1-7, 1-II, 2-5, 2-6, 2-7, 2-II, 5-6, 5-7, and 7-II.

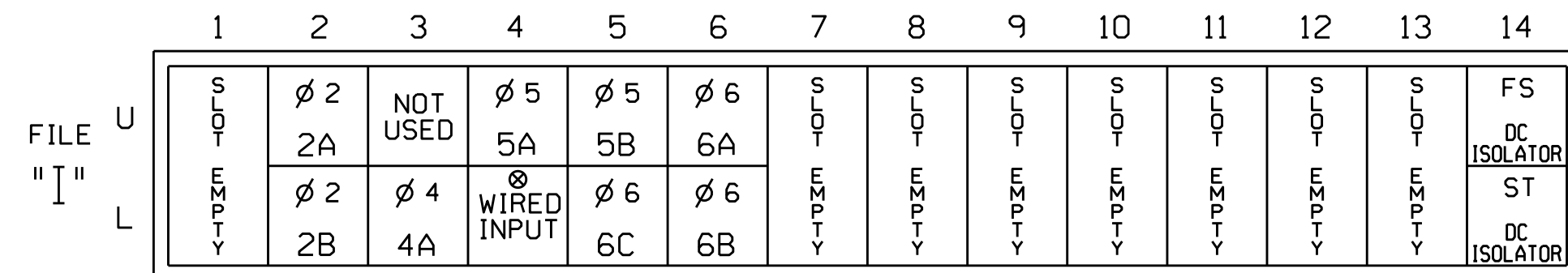


NOTES:

- Card is provided with all diode jumpers in place. Removal of any jumper allows its channels to run concurrently.
- Ensure jumpers SEL2-SEL5 and SEL9 are present on the monitor board.
- Ensure that Red Enable is active at all times during normal operation.
- Connect serial cable from conflict monitor to comm. port 1 of 2070 controller. Ensure conflict monitor communicates with 2070.
- Special cabinet wiring is required to utilize FYA COMPACT mode. See Ped Yellow Conflict Monitor Wiring Detail on this sheet.

INPUT FILE POSITION LAYOUT

(front view)



EX.: 1A, 2A, ETC. = LOOP NO.'S

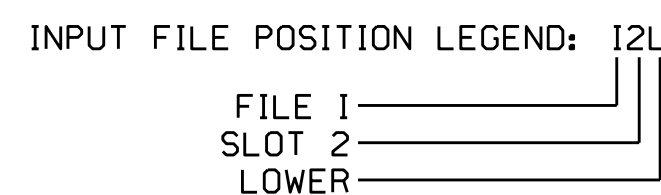
⊗ Wired Input - turn off Channel 2.

FS = FLASH SENSE
ST = STOP TIME

INPUT FILE CONNECTION & PROGRAMMING CHART

LOOP NO.	LOOP TERMINAL	INPUT FILE POS.	PIN NO.	INPUT ASSIGNMENT NO.	DETECTOR NO.	NEMA PHASE	CALL	EXTEND	FULL TIME DELAY	STRETCH TIME	DELAY TIME
2A	TB21-3,4	I2U	39	1	2	2	Y	Y			
2B	TB23-3,4	I2L	43	5	12	2	Y	Y			
4A	TB23-5,6	I3L	49	11	24	4	Y	Y			3
5A ¹	TB21-7,8	I4U	41	3	4	5	Y	Y			15
	-	I4L	45	7	14	2	Y	Y	Y		3
5B	TB21-9,10	I5U	55	17	5	5	Y	Y			15
6A	TB21-11,12	I6U	40	2	6	6	Y	Y			
6B	TB23-11,12	I6L	44	6	16	6	Y	Y			
6C	TB23-9,10	I5L	48	10	26	6	Y	Y	Y		3

¹Add jumper from I4-F to I4-W on rear of input file.



NOTES

- To prevent "flash-conflict" problems, insert red flash program blocks for all unused vehicle load switches in the output file. The installer shall verify that signal heads flash in accordance with the Signal Plans.
- Enable Simultaneous Gap-Out for all phases.
- Program phases 2 and 6 for Variable Initial and Gap Reduction.
- Program phases 2 and 6 for Start Up In Green.
- Program phases 2 and 6 for Yellow Flash and overlap 1 as Wag Overlaps.

EQUIPMENT INFORMATION

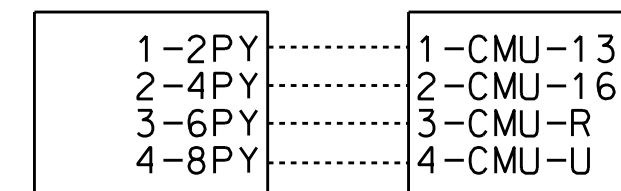
CONTROLLER.....2070L
 CABINET.....336
 SOFTWARE.....ECONOLITE OASIS
 CABINET MOUNT.....POLE
 OUTPUT FILE POSITIONS...12
 LOAD SWITCHES USED.....S1,S2,S5,S7,S8,S9,S10
 PHASES USED.....2,4,5,6
 OVERLAP "A".....2
 OVERLAP "B".....NOT USED
 OVERLAP "C".....5+6
 OVERLAP "D".....NOT USED
 OVERLAP "E".....5

PED YELLOW CONFLICT MONITOR WIRING DETAIL

In order to use FYA COMPACT mode on the 2010ECL-NC Monitor, the cabinet must be wired such that the (unused) Ped Yellow load switch outputs are wired directly to the conflict monitor as follows: From 6 PY (field term. 120) to chan. 10 green (monitor pin R).

This may also be accomplished through a keyed plug connection found on the inside panel of the output file.

Fold down rear panel of output file and find a set of 3 white keyed connectors. Plug together the two connectors labeled as shown below:



THIS ELECTRICAL DETAIL IS FOR
 THE SIGNAL DESIGN: 11-1174 T1
 DESIGNED: May 2015
 SEALED: 5/22/2015
 REVISED: N/A

SIGNAL HEAD HOOK-UP CHART

LOAD SWITCH NO.	S1	S2	S3	S4	S5	S6	S7	S8	S9	S10	S11	S12
EMU CHANNEL NO.	1	2	13	3	4	14	5	6	11	15	7	8
PHASE	OLA	2	2 PED	3	4	4 PED	OLC	6	5 GRN	6 PED	OLE	8 PED
SIGNAL HEAD NO.	61	21,22	NU	NU	41,42 43,44	63	51	62,63	51	NU	43	NU
RED		128			101			134		*		
YELLOW		129			102			135				
GREEN		130			103			136				
RED ARROW	125							131				
YELLOW ARROW	126				102			132			123	
FLASHING YELLOW ARROW	127							133				
GREEN ARROW					103			120			124	

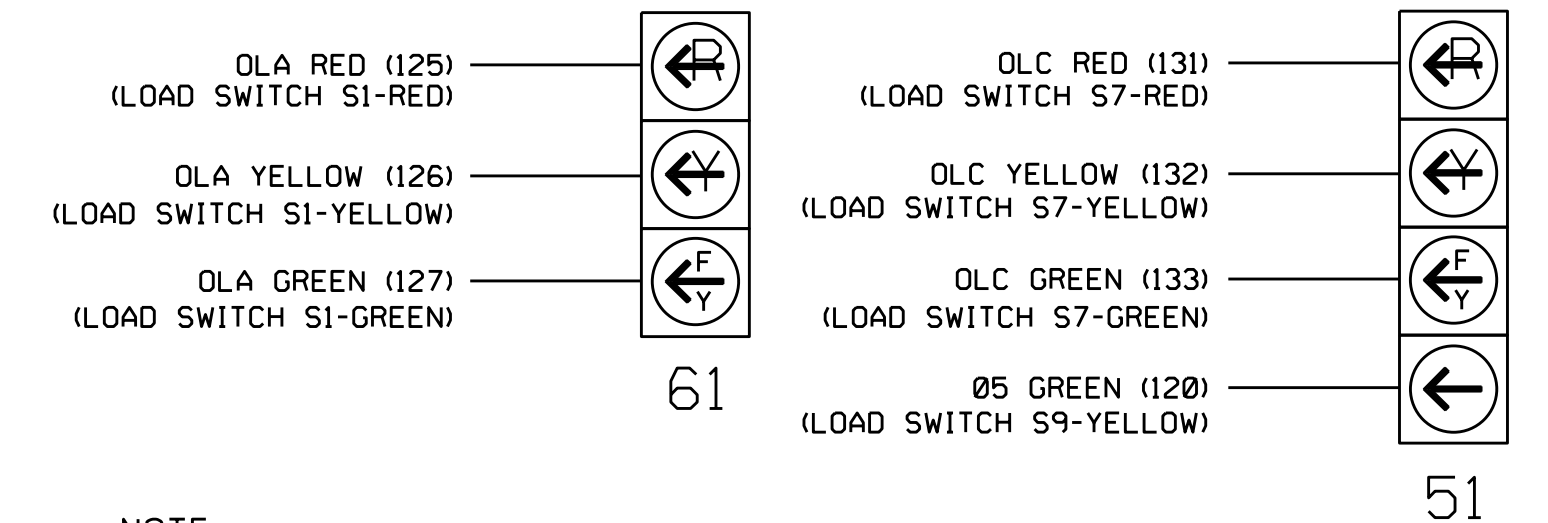
* Denotes install load resistor. See load resistor installation detail below.

★ See pictorial of head wiring in detail below.

NOTE: Load Switches S1,S7,and S9 require output remapping. See sheets 3 and 4.

FYA SIGNAL WIRING DETAIL

(wire signal heads as shown)



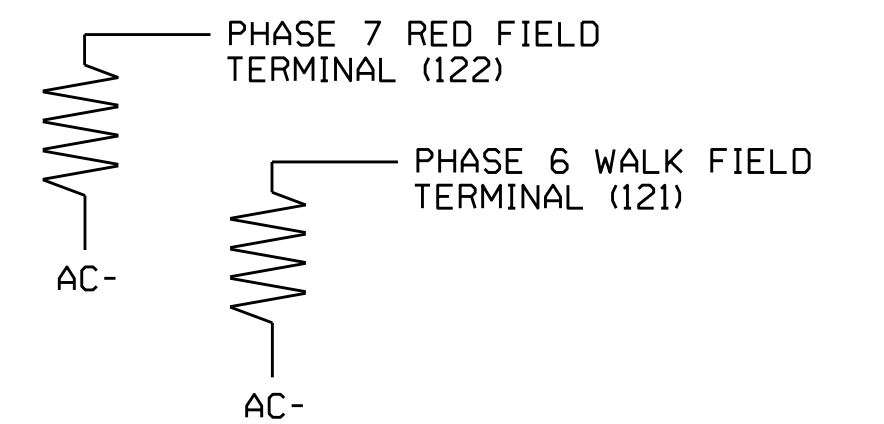
NOTE

The sequence display for signal head 51 requires special logic programming. See sheet 2 for programming instructions.

LOAD RESISTOR INSTALLATION DETAIL

(install resistors as shown below)

VALUE (ohms)	WATTAGE
1.5K - 1.9K	25W (min)
2.0K - 3.0K	10W (min)



Electrical Detail - Temporary Signal 1 (TCP Phase IA) - Sheet 1 of 4

Electrical and Programming Details For: **US 421 at US 221**

Prepared In the Offices of: **Transporatio Mobility and Safety Solutions**

750 N. Greenfield Pkwy, Garner, NC 27529

Division 11 Watauga County DE- Deep Gap

PLAN DATE: May 2015 REVIEWED BY: *[Signature]*

PREPARED BY: S. Armstrong REVIEWED BY:

REVISIONS: _____ INIT. DATE

DocuSigned by: **John T. Rowe, Jr.** 5/26/2015

SEAL: JOHN T. ROWE, JR. ENGINEER SEAL 008453

SIG. INVENTORY NO. 11-1174 T1

2015-05-26 08:16
 S:\MITSUBISHI\SIGNAL\work\hgr\output\11174_sml_e\xxx.dgn
 sarmstrong