

SECTION K-K

MATCHLINE -L- STA. 152+00+/- - TMP-15



-L- STA. 154+83+/-
BEGIN TEMP. PAV'T

-L- STA. 152+90+/-

US 221

-L-

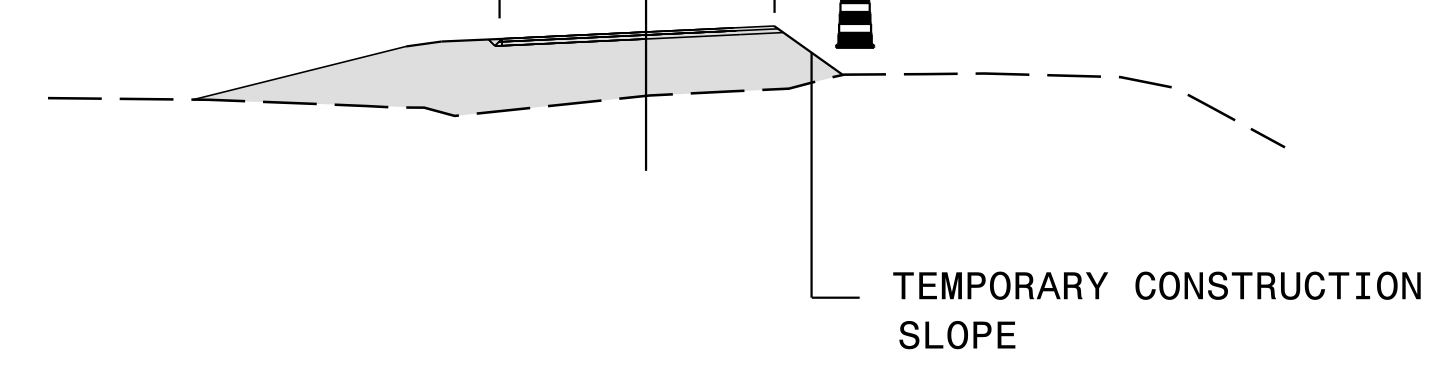
155

-L- STA. 156+00+/-
END TEMP. PAV'T



-Y9- STA. 11+50+/-

VAR
12' 8' 22'



SECTION L-L

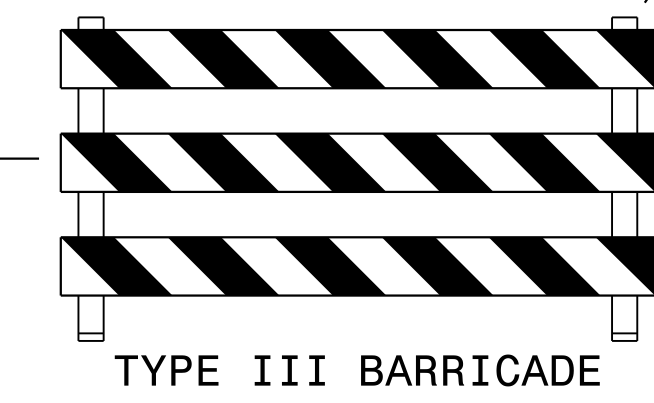
(DENOTES TEMPORARY PAVEMENT)

-L- STA. 158+10+/-
BEGIN TEMP. PAV'T

-L- STA. 158+38+/-
END TEMP. PAV'T

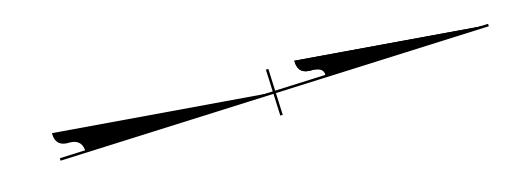
160

-L- STA. 160+01.83
END PROJECT R-2915A
BEGIN PROJECT R-2915B



-Y9- SR 1003
IDLEWILD RD.

END CONST.
-Y9- STA. 13+10.00



5/20/2015 8:23:35 AM P:\2012\NR-2915A\TrafficControl\TCP\NR2915A_TC_TCP_PSH_16.dgn

WETHERILL ENGINEERING
 559 Jones Franklin Rd. Suite 164
 Raleigh, N.C. 27606
 License No. F-0377
 Bus: 919 851 8077
 Fax: 919 851 8107

TRANSPORTATION PLANNING/DESIGN - BRIDGE/STRUCTURE DESIGN
 CIVIL/SITE DESIGN - GIS/GPS - CONSTRUCTION OBSERVATION

APPROVED: _____ DATE: _____

SEAL

EDWARD G. WETHERILL
 PROFESSIONAL ENGINEER
 10773
 5/21/2015

DIVISION OF HIGHWAYS
 STATE OF NORTH CAROLINA
 DEPARTMENT OF TRANSPORTATION
 WORK ZONE TRAFFIC CONTROL

PHASE I
TEMPORARY TRAFFIC CONTROL DETAIL