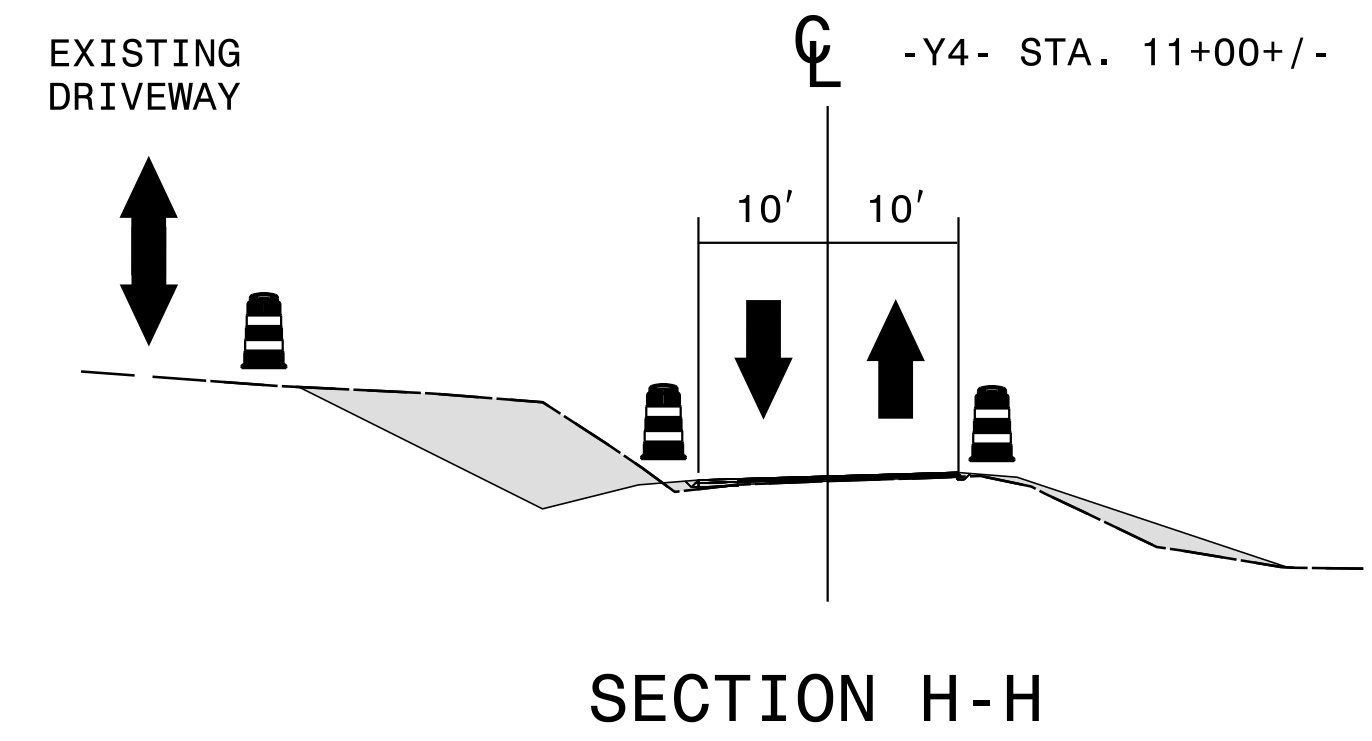
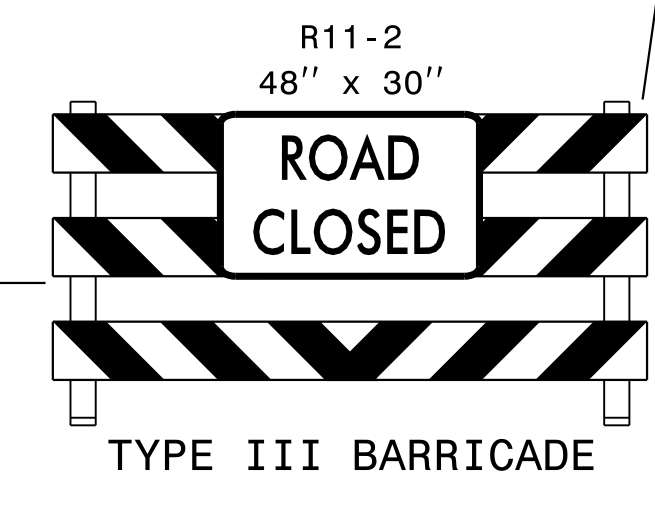
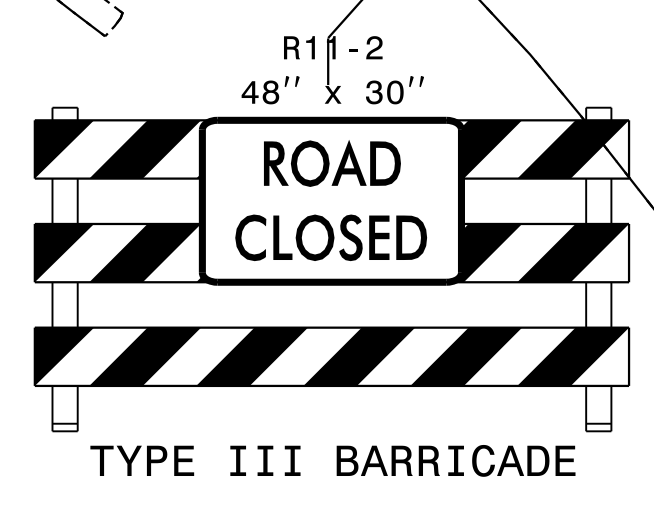
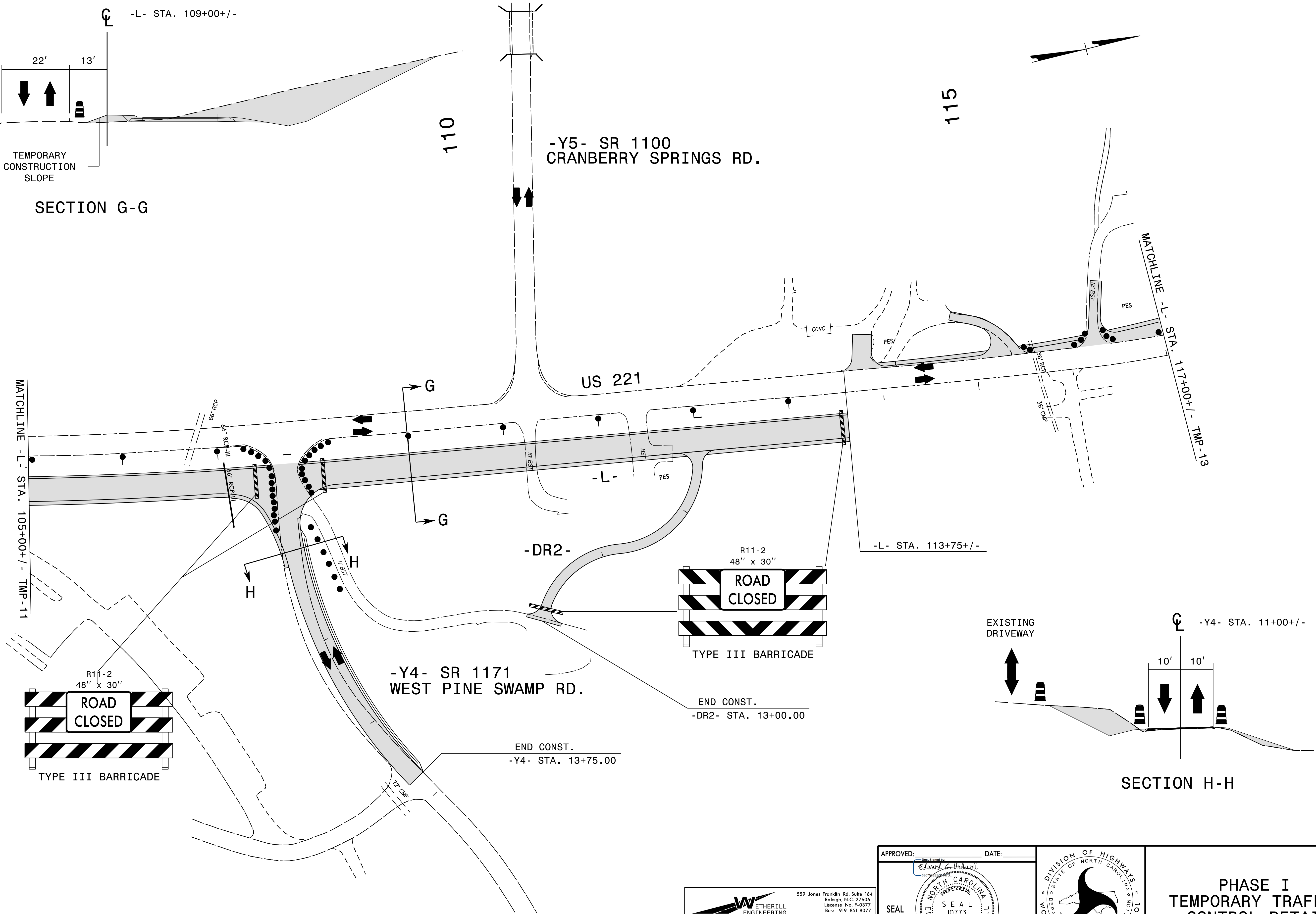


SECTION G-G



5/20/2015 8:05:31 AM P:\2012\NR-2915A\TrafficControl\TCP\NR2915A_TCP_PSH_I2.dgn

559 Jones Franklin Rd Suite 164
 Raleigh, N.C. 27606
 License No. F-0377
 Bus: 919 851 8077
 Fax: 919 851 8107
 TRANSPORTATION PLANNING/DESIGN - BRIDGE/STRUCTURE DESIGN
 CIVIL/SITE DESIGN - GIS/GPS - CONSTRUCTION OBSERVATION

APPROVED: DATE: 5/21/2015
 SEAL

DIVISION OF HIGHWAYS
 STATE OF NORTH CAROLINA
 DEPARTMENT OF TRANSPORTATION
 WORK ZONE TRAFFIC CONTROL

**PHASE I
 TEMPORARY TRAFFIC
 CONTROL DETAIL**