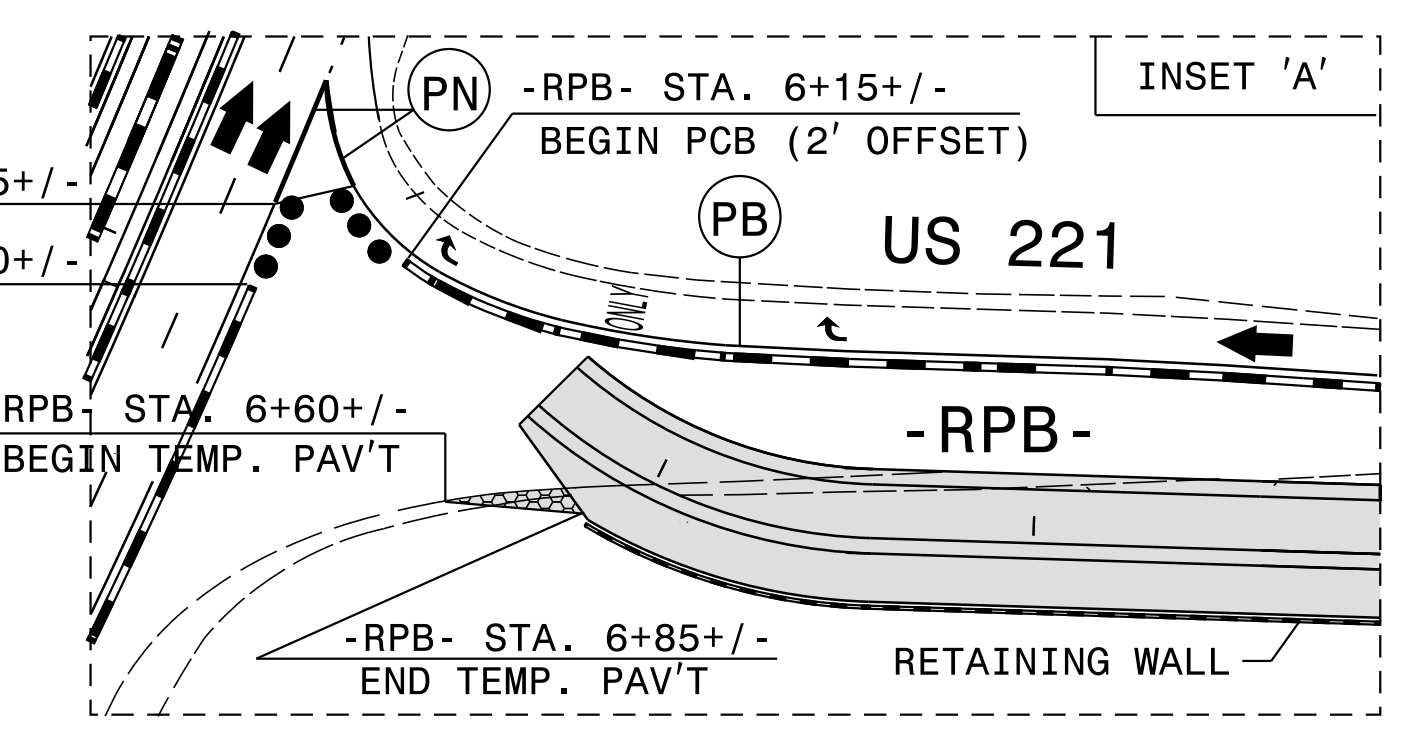
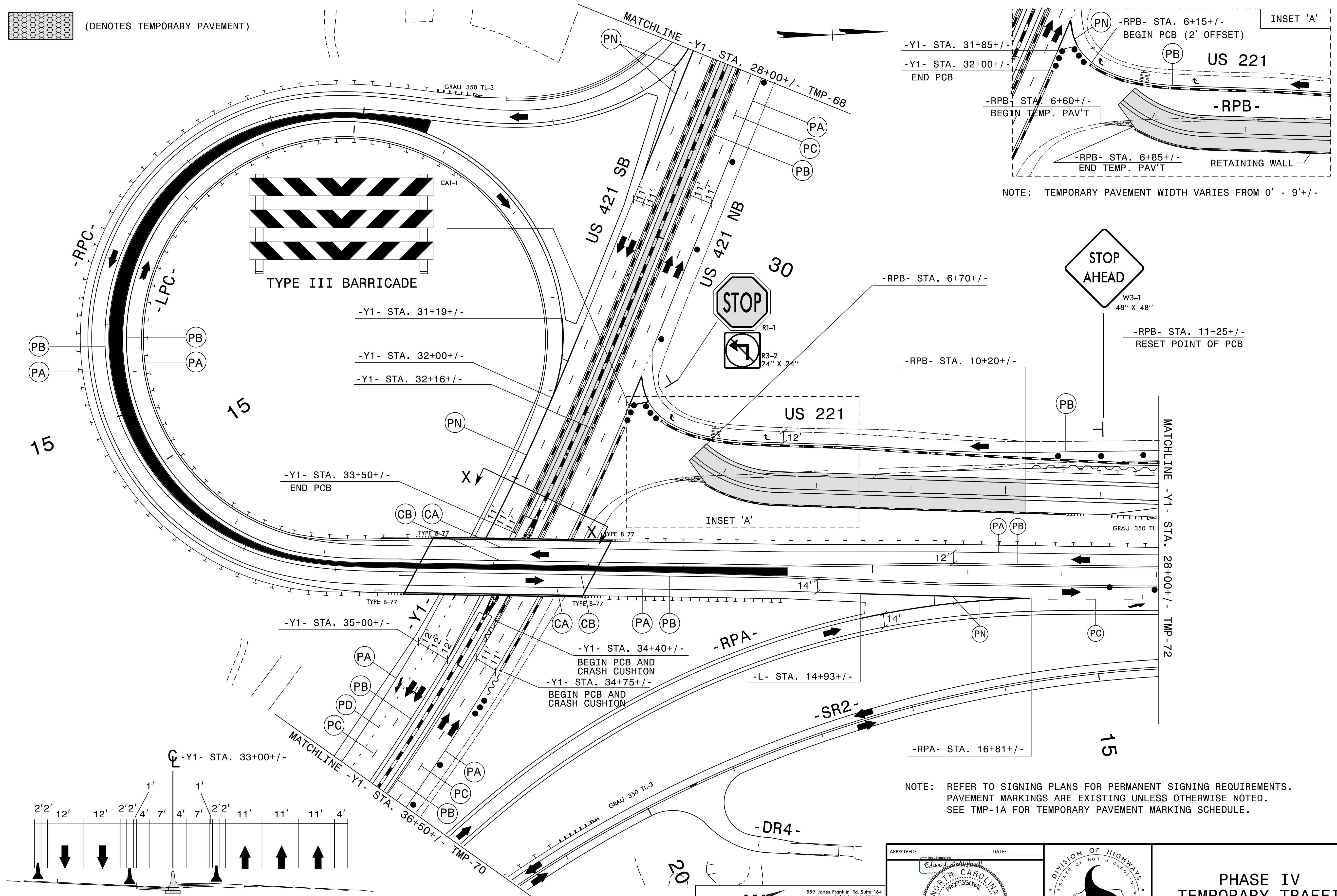
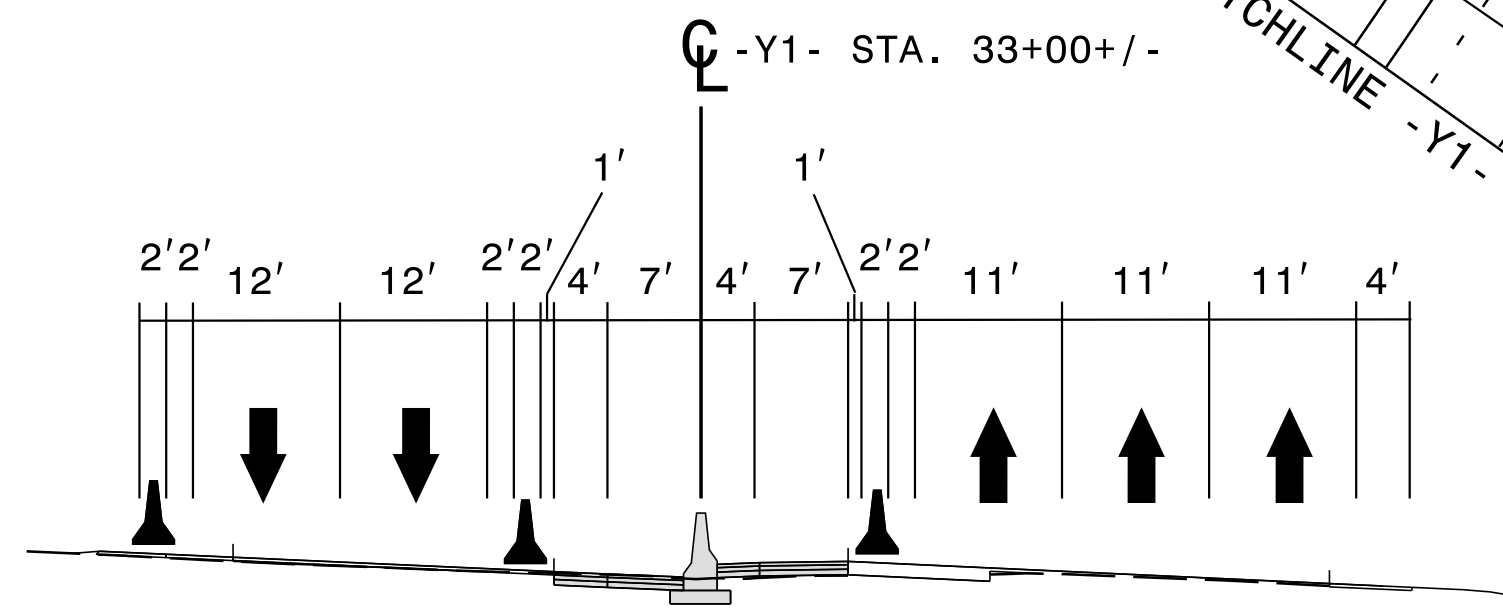
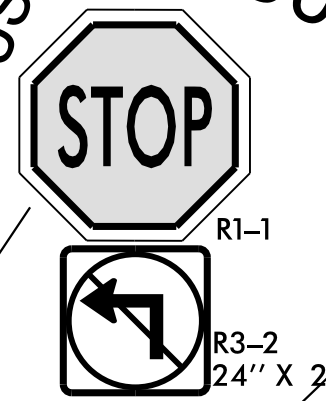
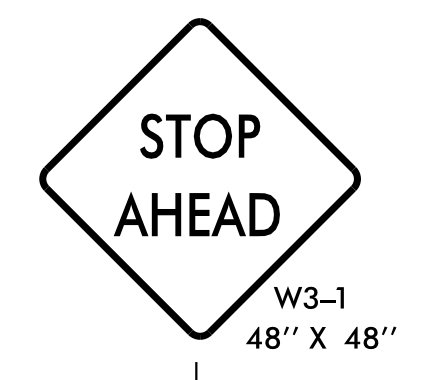


 (DENOTES TEMPORARY PAVEMENT)



NOTE: TEMPORARY PAVEMENT WIDTH VARIES FROM 0' - 9'+/-



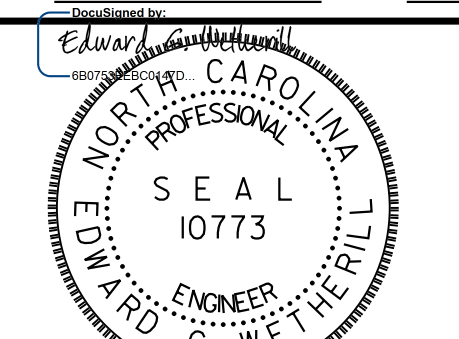
NOTE: REFER TO SIGNING PLANS FOR PERMANENT SIGNING REQUIREMENTS. PAVEMENT MARKINGS ARE EXISTING UNLESS OTHERWISE NOTED. SEE TMP-1A FOR TEMPORARY PAVEMENT MARKING SCHEDULE.

5/20/2015 8:53:46 AM F:\2012\IR-2915A\Traffic\TrafficControl\TCP\R2915A.TCP_PSH.dgn

WETHERILL ENGINEERING
 559 Jones Franklin Rd. Suite 164
 Raleigh, N.C. 27606
 License No. F-0377
 Bus: 919 851 8077
 Fax: 919 851 8107

TRANSPORTATION PLANNING/DESIGN - BRIDGE/STRUCTURE DESIGN
 CIVIL/SITE DESIGN - GIS/GPS - CONSTRUCTION OBSERVATION

APPROVED: _____ DATE: _____

SEAL: 



DIVISION OF HIGHWAYS
 STATE OF NORTH CAROLINA
 DEPARTMENT OF TRANSPORTATION
 WORK ZONE TRAFFIC CONTROL

**PHASE IV
 TEMPORARY TRAFFIC
 CONTROL DETAIL**