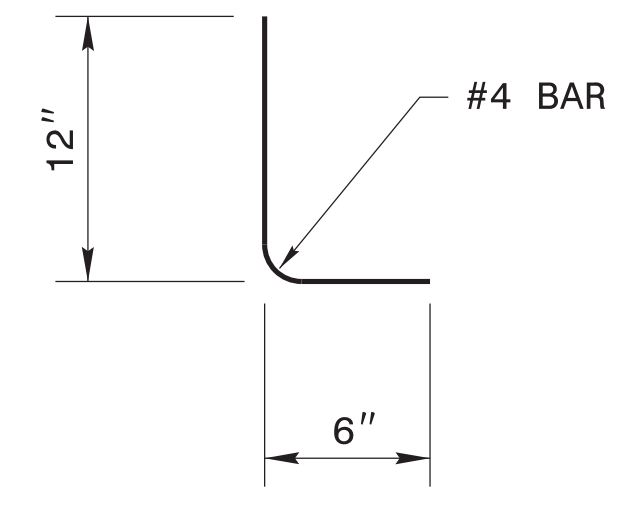
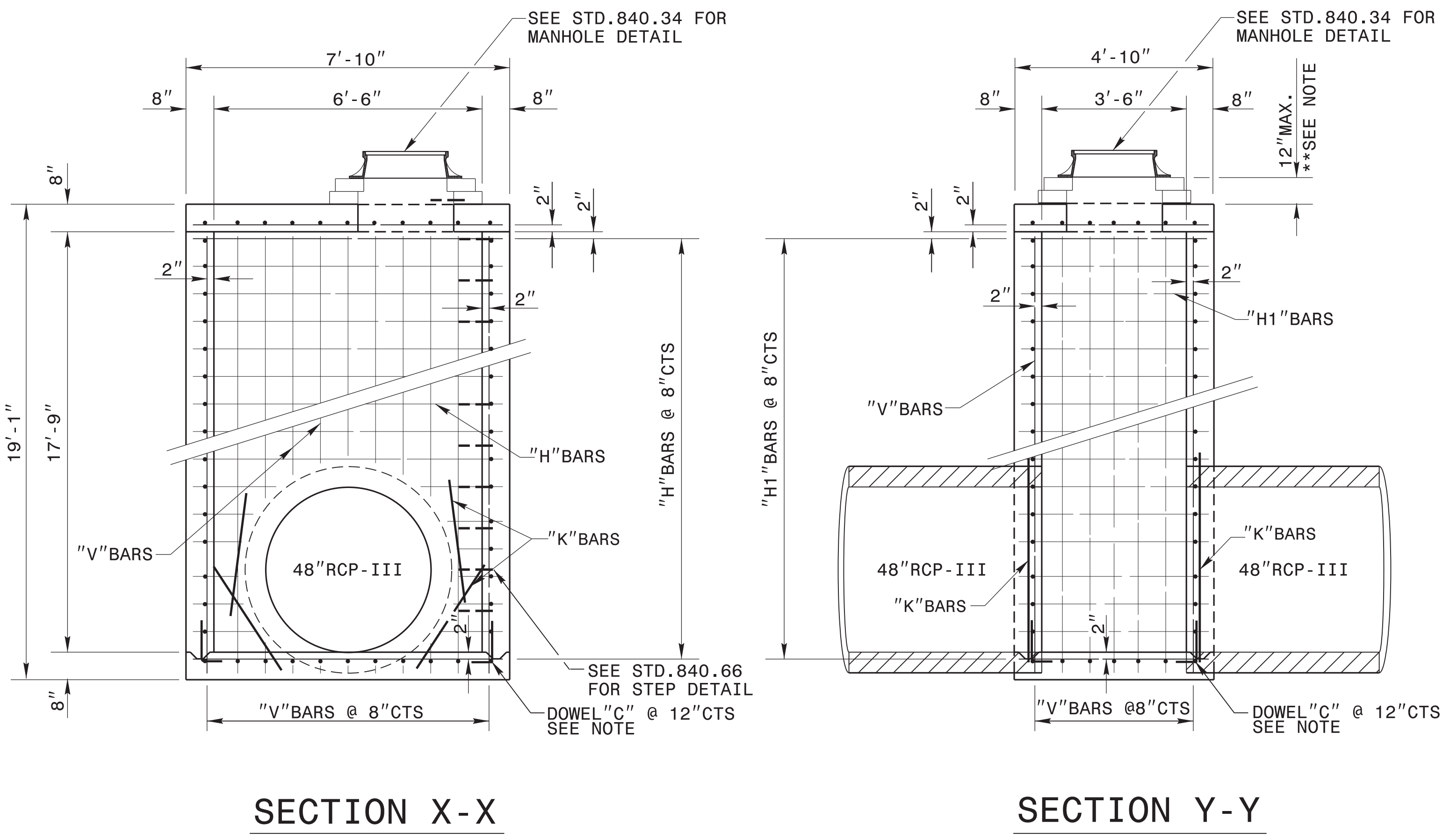


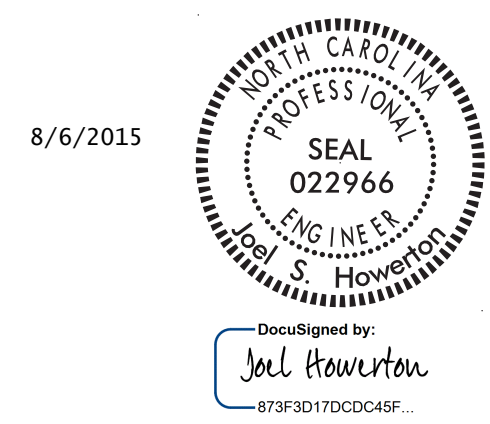
GENERAL NOTES:

- THE BASE SLAB TO BE CONSTRUCTED BY FORMING.
- SEE STD. DWG. 840.00 FOR CONSTRUCTION OF BASE SLAB
- CLASS 'B' CONCRETE TO BE USED THROUGHOUT.
- CONSTRUCTION OPTIONS: MONOLITHIC POUR; 2" KEYWAY OR #4 BAR DOWELS AT 12" CENTERS AS DIRECTED BY THE ENGINEER.
- REINFORCING STEEL TO BE CUT, BENT OR RELOCATED TO POSITION PIPE AS DIRECTED BY THE ENGINEER.
- ALL EXPOSED CORNERS TO BE CHAMFERED 1".
- SEE STD. DRAWING 840.34 FOR CONSTRUCTION OF RISER AND MANHOLE.
- JUNCTION BOXES OVER 3'-6" IN DEPTH WITH MANHOLES WILL REQUIRE STEPS TO BE PLACED ON 12" CTRS. REFERENCE STD. NO. 840.66.
- MAINTAIN 2" MINIMUM CONCRETE COVERAGE ON ALL STEEL.



BILL OF MATERIAL					
CODE	BAR#	LENGTH	LBS/FT.	QTY.	LBS
H	4	7'-6"	0.668	66	331
H1	4	4'-6"	0.668	74	223
V	4	18'-1"	0.668	32	387
K	4	3'-0"	0.668	8	16
C	4	1'-6"	0.668	20	20
TOTAL WEIGHT STEEL					977
MASONRY QUANTITIES					
CLASS "B" CONCRETE					11.8 CU.YDS.
PIPE DEDUCTIONS					
2-48" RCP-III					-1 CU.YD.
TOTAL CLASS "B" CONCRETE					10.8 CU.YDS.

** 0.30 CU.YD. PER FOOT OF RISER HEIGHT.



**CONTRACT STANDARDS & DEVELOPMENT UNIT
STANDARDS AND SPECIAL DESIGN**
Office 919-707-6900 FAX 919-250-4119

**EXTRA DEPTH JUNCTION BOX
48" RCP-III**

ORIGINAL BY: rnbritt DATE: 06-26-2015
 MODIFIED BY: DATE:
 CHECKED BY: DATE:
 FILE SPEC.: details/rnbritt/english/rura1/r2915a_extra_depth_jb.dgn