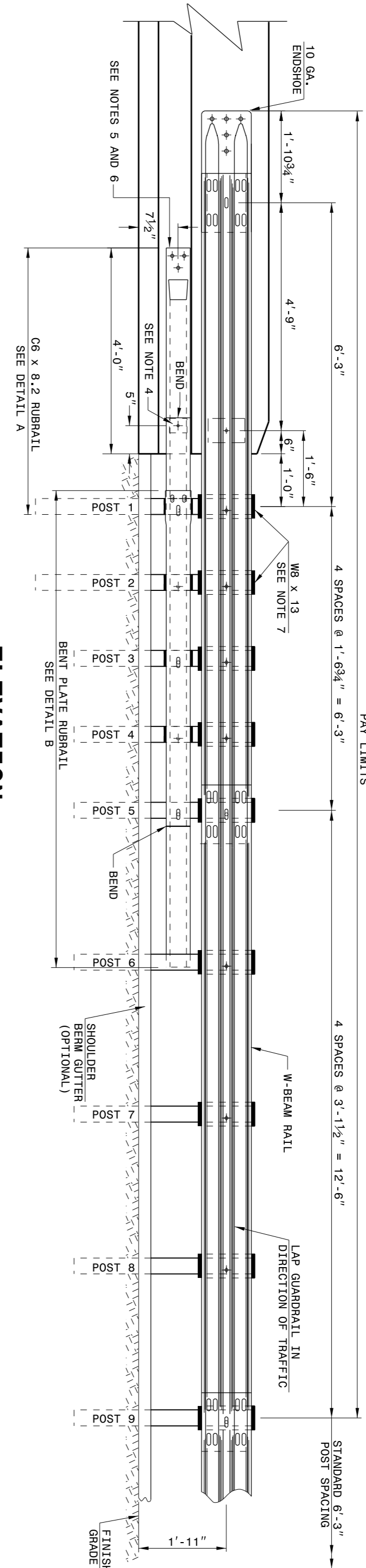
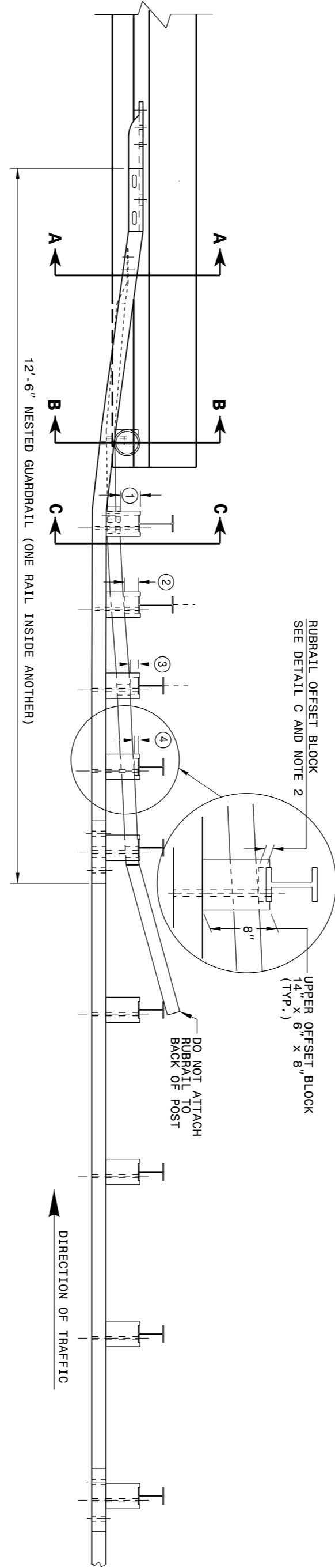


STATE OF
NORTH CAROLINA
DEPT. OF TRANSPORTATION
DIVISION OF HIGHWAYS
RALEIGH, N.C.



ELEVATION

- GENERAL NOTES:
- POSTS 1 THROUGH 5 REQUIRE AN ADDITIONAL HOLE TO ATTACH LOWER BLOCKOUTS AND/OR RUBRAIL.
 - BLOCKS 1 THROUGH 4 AND RUBRAIL BLOCKOUTS ARE TO BE FABRICATED ON 2" POSTS 2 AND 3. RUBRAIL IS SECURED TO POST 5 WITH A 5/8" x 4 1/2" BUTT WASH AND A RUBRAIL IS FLARED TO BACK OF POST 6 AND NOT SECURED.
 - STEEL SPACER TUBE IS A SCHEDULE 40 GALVANIZED PIPE 6" INSIDE DIAMETER x 9' LONG. ATTACH TUBE TO GUARDRAIL ONLY WITH 5/8" x 1 1/4" LONG BUTT WASH AND 40 GALVANIZED PIPE 6" INSIDE DIAMETER.
 - SEE DETAIL D FOR SLOPED RUBRAIL BLOCKOUT. BLOCKOUT IS ATTACHED TO RAIL ELEMENT ONLY. USE 3/8" x 3" LAG BOLT WITH FLAT WASHER.
 - TYPE OF F-RIBBER SHOWN ON BRIDGE RAIL.
 - ANCHORAGE:
 - (a) AT EXISTING BRIDGE RAIL AND NEW OR EXISTING BARRIERS, ANCHOR RUBRAIL USING THREE 5/8" x 6" CHEMICALLY ANCHORED BOLTS WITH WASHERS. MAXIMUM PROJECTION FOR BOLTS IS 1/2".
 - (b) AT EXISTING BRIDGE RAIL AND NEW OR EXISTING BARRIERS, ANCHOR THE W-BEAM END SHOE USING A 4 BOLT HOLD DOWN PLATE (SEE STD. DWG. 8622.04). THIS RAIL THE W-BEAM END SHOE BEHIND THE NESTED W-BEAM END SHOE AND RUBRAIL AS DETAILED ON THE STRUCTURE PLANS.
 - (c) AT NEW BRIDGE RAIL, ANCHOR THE W-BEAM END SHOE AND RUBRAIL AS DETAILED ON THE STRUCTURE PLANS.
 - POSTS 1 AND 2 ARE W8 x 13, 7'-6" LONG. ALL OTHER POSTS IN THE ANCHOR UNIT ARE W8 x 8.5.



PLAN

ENGLISH DETAIL DRAWING FOR
GUARDRAIL ANCHOR UNIT
FOR F-SHAPE BARRIER

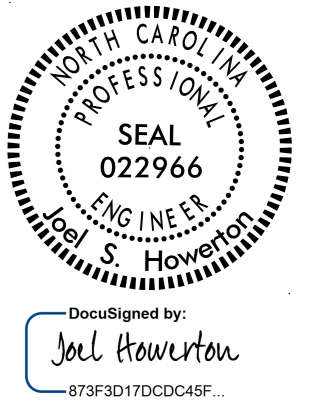
STATE OF
NORTH CAROLINA
DEPT. OF TRANSPORTATION
DIVISION OF HIGHWAYS
RALEIGH, N.C.

STATE OF
NORTH CAROLINA
DEPT. OF TRANSPORTATION
DIVISION OF HIGHWAYS
RALEIGH, N.C.

**CONTRACT STANDARDS
AND DEVELOPMENT UNIT**
Office 919-707-6950 FAX 919-250-4119

SEE TITLE BLOCK

ORIGINAL BY: J. HOWERTON DATE: 06-22-12
 MODIFIED BY: DATE:
 CHECKED BY: DATE:
 FILE SPEC.:



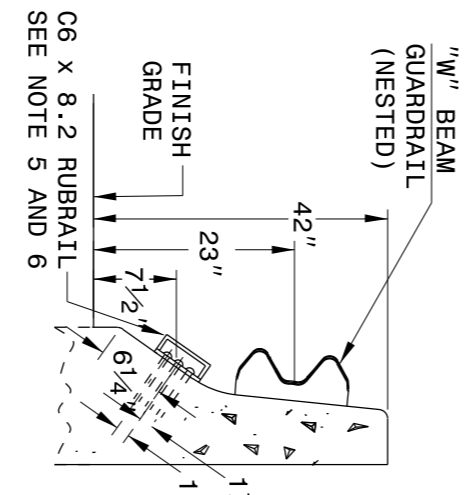
DocuSigned by:
Joel Howerton
873F3D17DDC645F

ENGLISH DETAIL DRAWING FOR
STRUCTURE ANCHOR UNIT
GUARDRAIL ANCHOR UNIT TYPE B-77
FOR F-SHAPE BARRIER

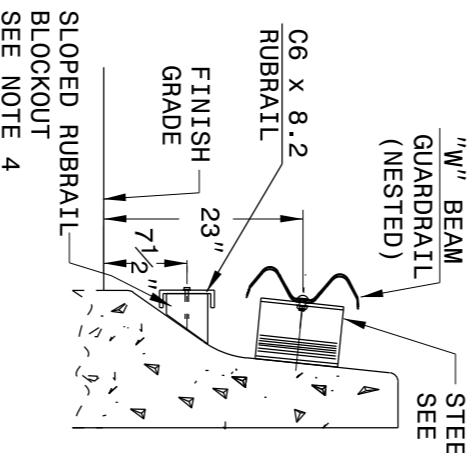
STATE OF
NORTH CAROLINA
DEPT. OF TRANSPORTATION
DIVISION OF HIGHWAYS
RALEIGH, N.C.

ENGLISH DETAIL DRAWING FOR
GUARDRAIL ANCHOR UNIT
FOR F-SHAPE BARRIER

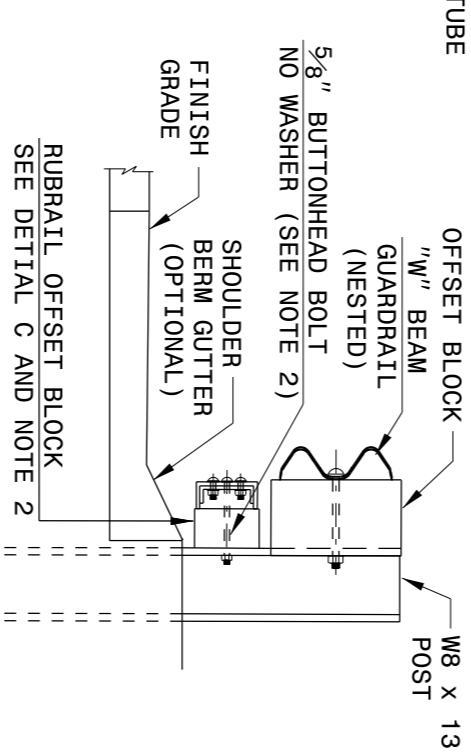
STATE OF
NORTH CAROLINA
DEPT. OF TRANSPORTATION
DIVISION OF HIGHWAYS
RALEIGH, N.C.



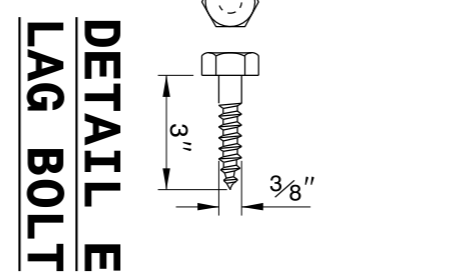
SECTION A-A



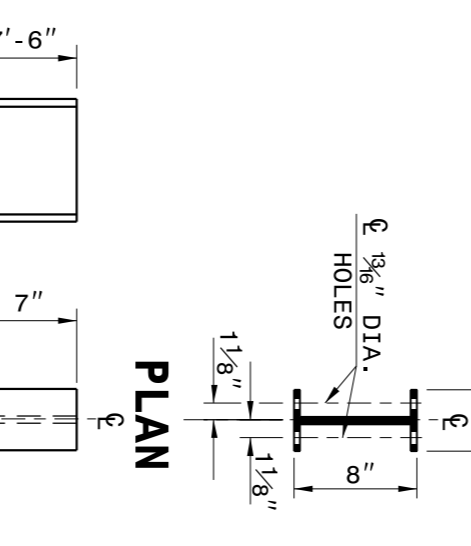
SECTION B-B



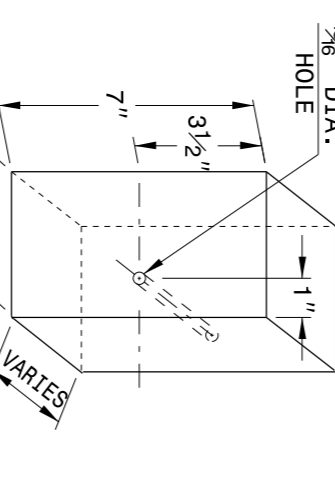
SECTION C-C



DETAIL E
LAG BOLT



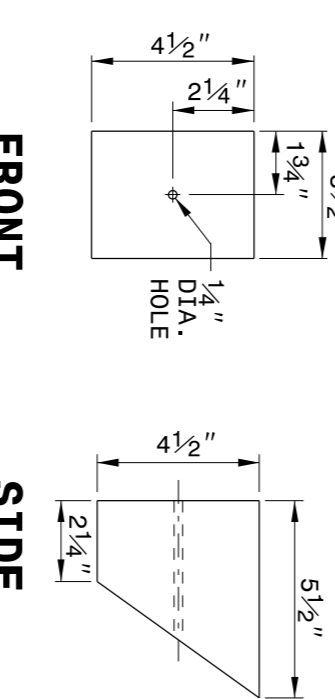
DETAIL F
STEEL POST



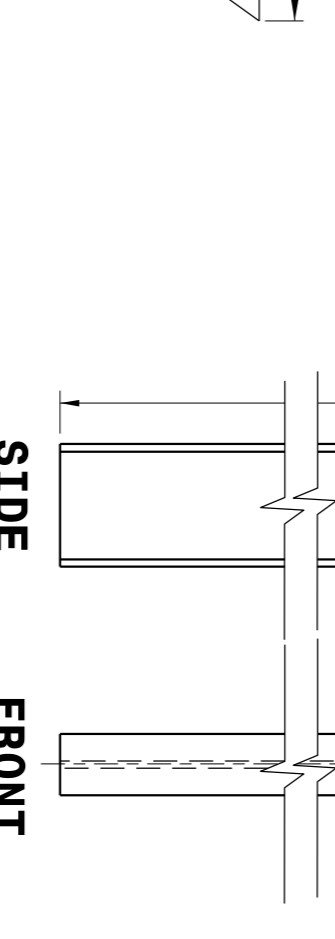
DETAIL C
RUBRAIL BLOCKOUT

RUBRAIL BLOCKS 7' HIGH X 4' WIDE	POST	THICKNESS	BOLT LENGTH	9"	5' *	6'	3' *
(1)	4 1/4"	3 1/4"	9"	5' *	6'	3' *	
(2)	3 1/4"	3 1/4"	5' *		6'	3' *	
(3)	2"	2"	6'	6'	3' *		
(4)	1"	1"	3' *			3' *	

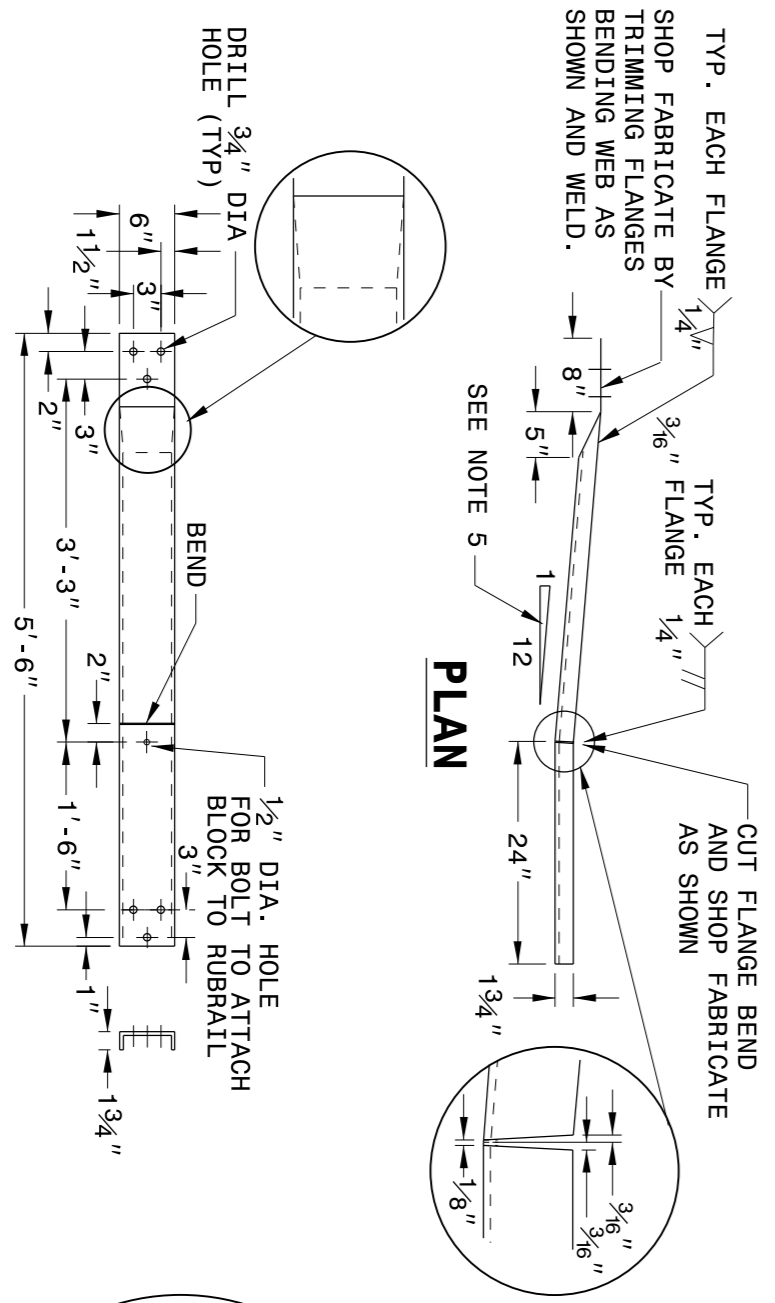
* BOLTS FOR POSTS 3 AND 4 ARE USED TO ATTACH BLOCKOUT TO RUBRAIL AND TO ATTACH TO BLOCK.



DETAIL D
SLOPED RUBRAIL BLOCKOUT

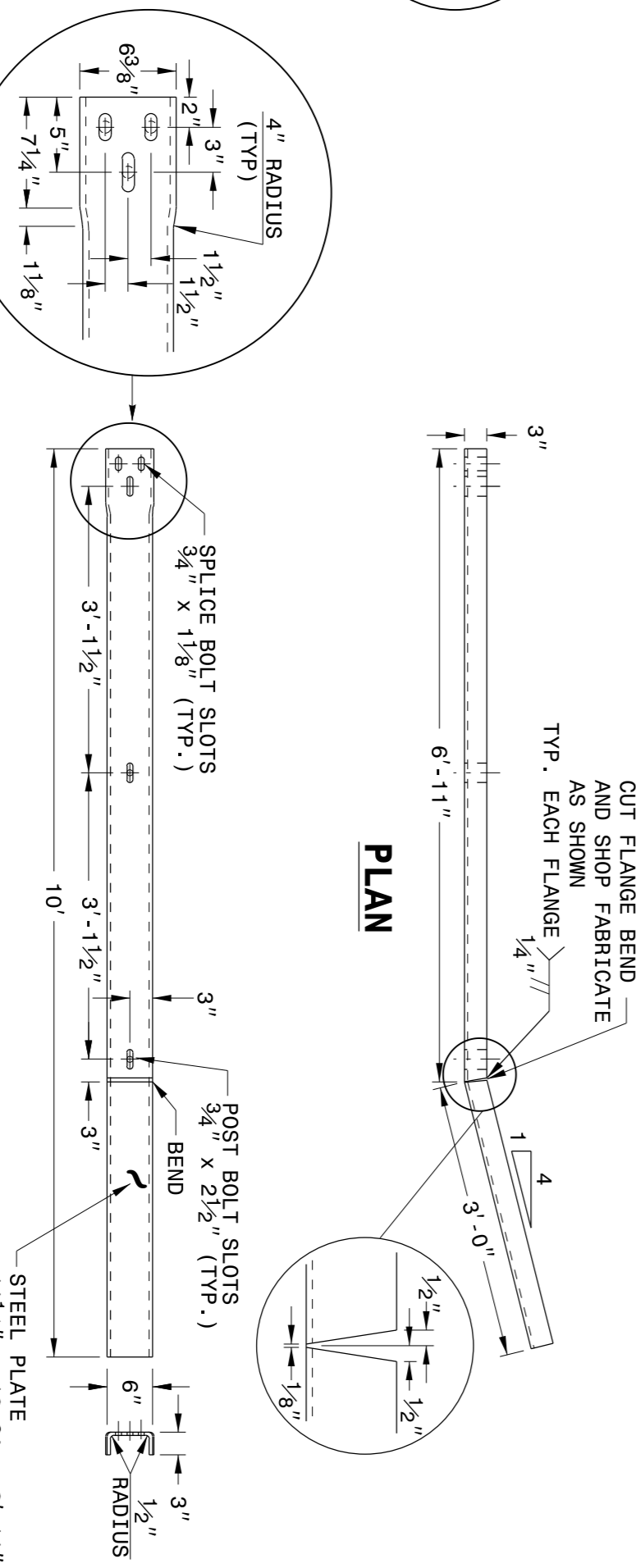


DETAIL F
W8 X 13 X 7'-6"



ELEVATION
DETAIL A

ELEVATION
DETAIL B



ELEVATION
DETAIL C

ELEVATION
DETAIL D

ENGLISH DETAIL DRAWING FOR
STRUCTURE ANCHOR UNIT
FOR F-SHAPE BARRIER

STATE OF
NORTH CAROLINA
DEPT. OF TRANSPORTATION
DIVISION OF HIGHWAYS
RALEIGH, N.C.

ENGLISH DETAIL DRAWING FOR
STRUCTURE ANCHOR UNIT
GUARDRAIL ANCHOR UNIT TYPE B-77
FOR F-SHAPE BARRIER

STATE OF
NORTH CAROLINA
DEPT. OF TRANSPORTATION
DIVISION OF HIGHWAYS
RALEIGH, N.C.