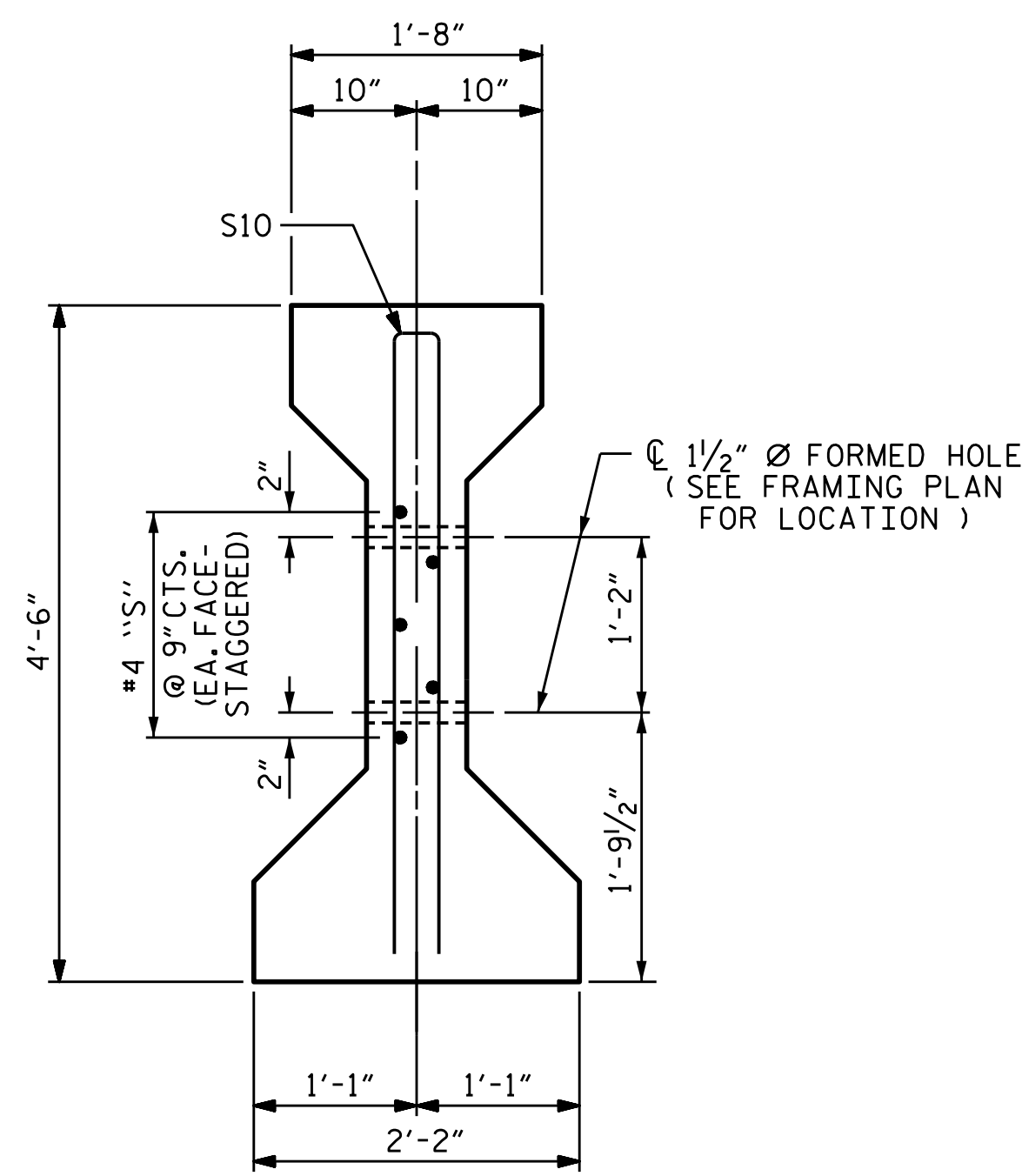
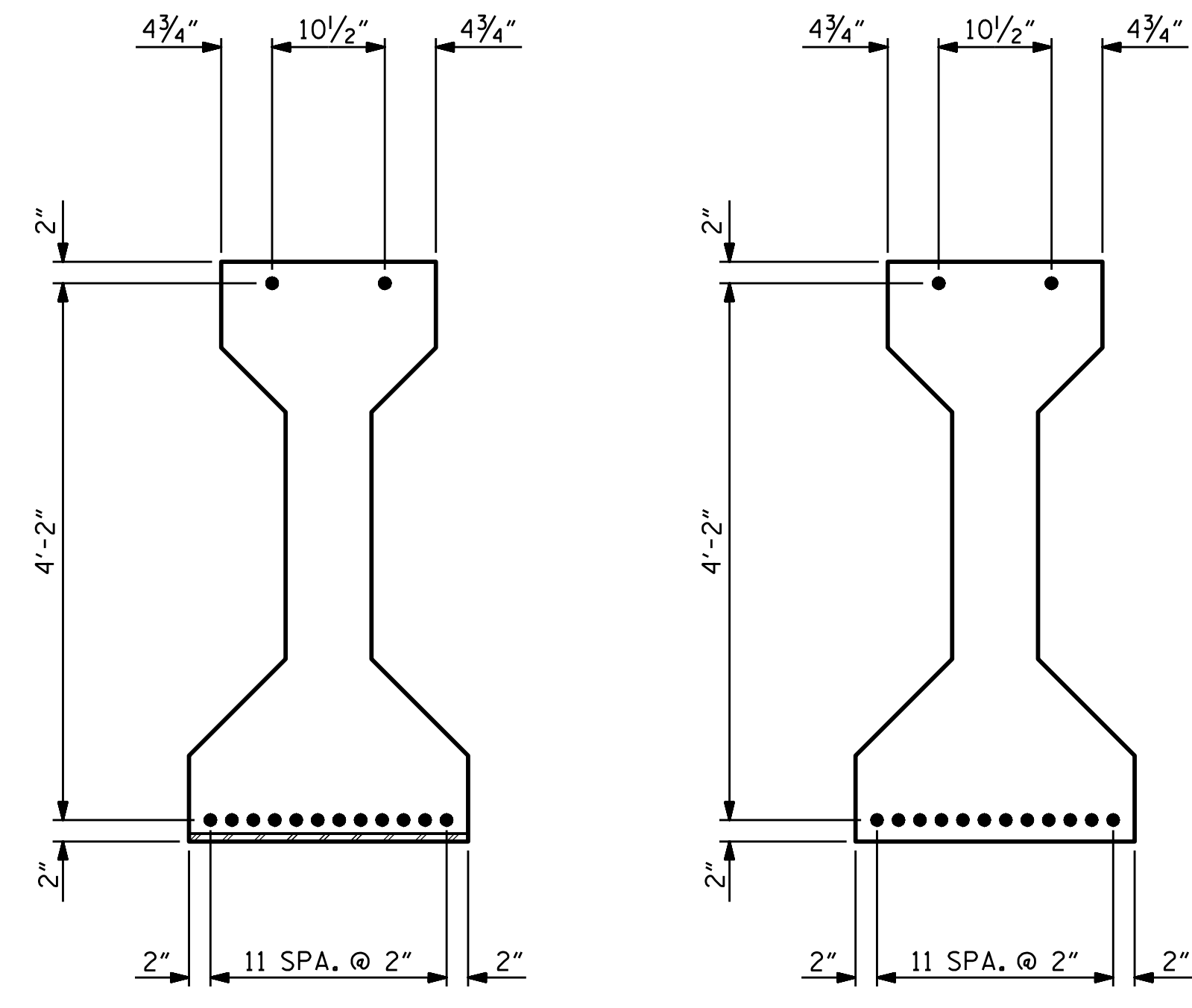


SECTION A-A

SECTION B-B



SECTION C-C
(S1 BARS NOT SHOWN)

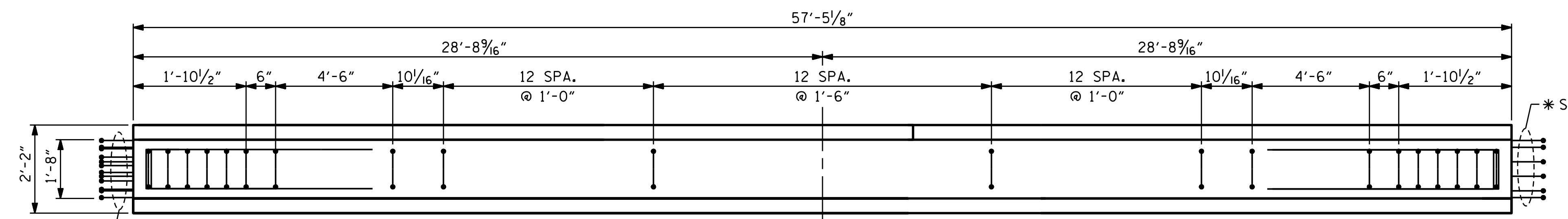


AT END OF GIRDER

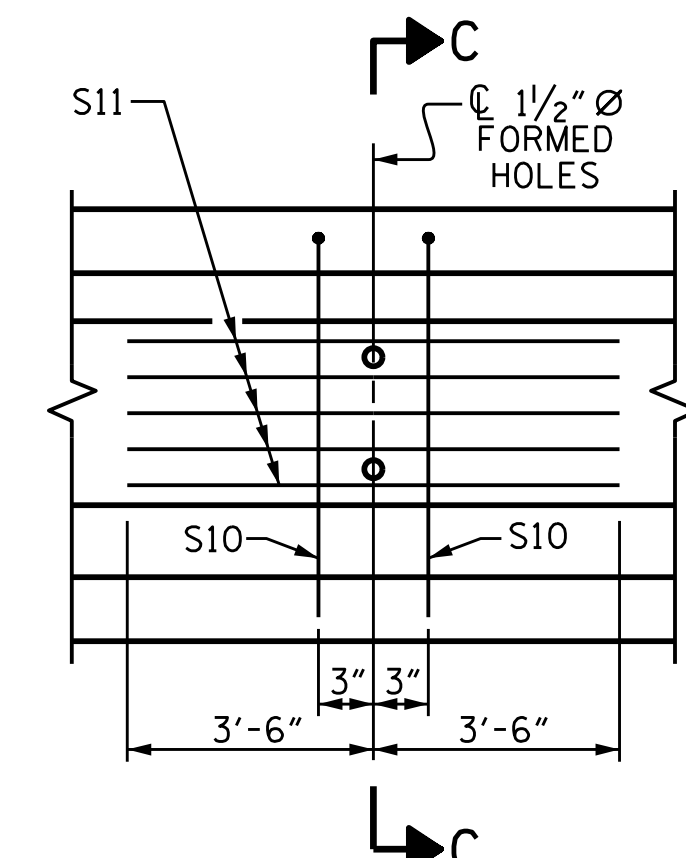
AT C OF GIRDER

0.6" Ø LOW RELAXATION STRAND LAYOUT

* FOR S7 BARS, SEE
DETAIL "A" OF
PRESTRESSED
CONCRETE GIRDER
CONTINUOUS FOR LIVE
LOAD DETAILS SHEET

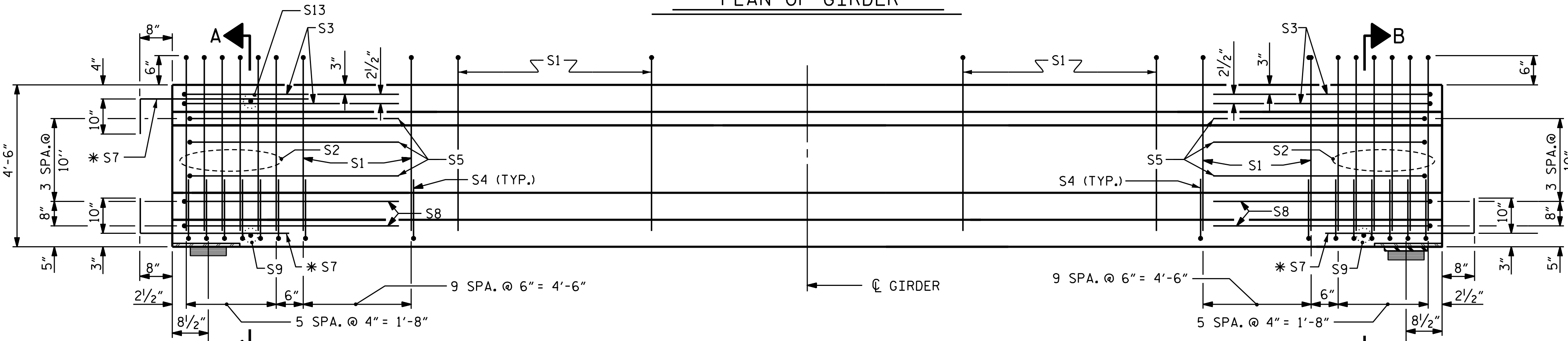


PLAN OF GIRDER



PARTIAL ELEVATION

SHOWING INTERMEDIATE DIAPHRAGM
REINFORCING STEEL FOR ALL GIRDERS



ELEVATION OF GIRDER

(SEE PARTIAL ELEVATION FOR ADDITIONAL "S" BARS)

0.6" Ø L. R. GRADE 270 STRANDS

| AREA (SQUARE INCHES) | ULTIMATE STRENGTH (LBS. PER STRAND) | APPLIED PRESTRESS (LBS. PER STRAND) |
|-------------------------|---|---|
| 0.217 | 58,600 | 43,950 |

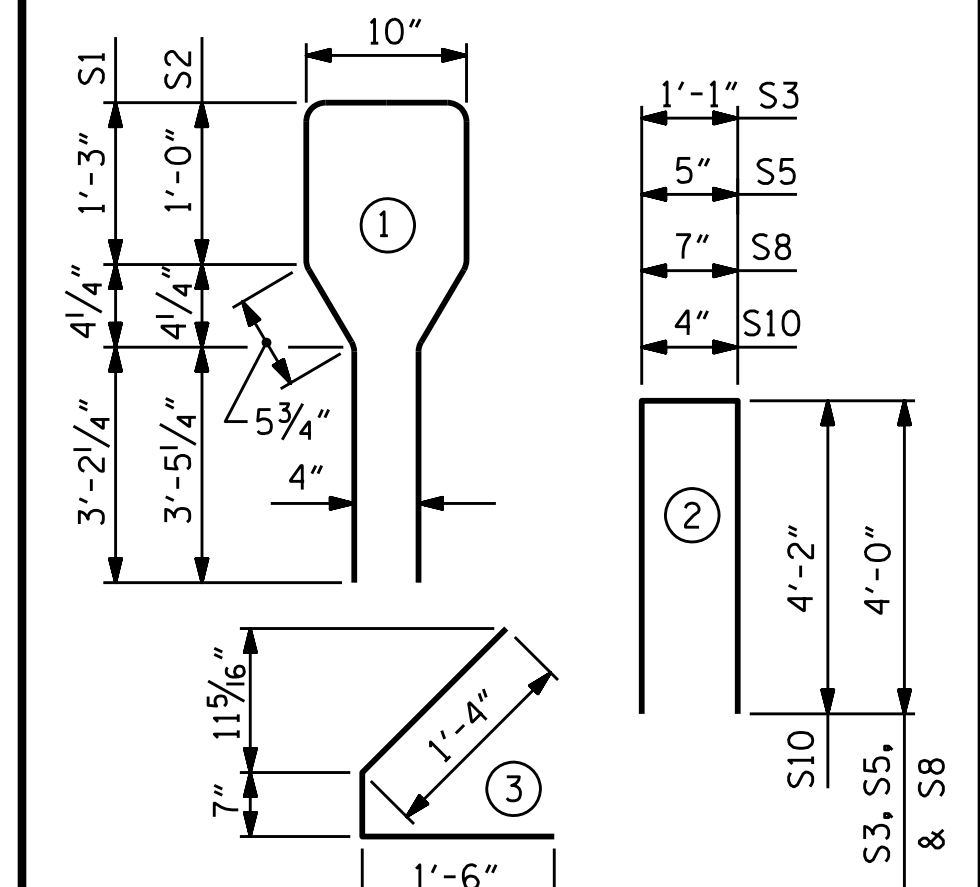
REINFORCING STEEL FOR ONE GIRDER

| BAR | NUMBER | SIZE | TYPE | LENGTH | WEIGHT |
|------|--------|------|------|--------|--------|
| S1 | 57 | #4 | 1 | 10'-8" | 406 |
| S2 | 12 | #6 | 1 | 10'-8" | 192 |
| S3 | 4 | #4 | 2 | 9'-1" | 24 |
| S4 | 64 | #4 | 3 | 3'-5" | 146 |
| S5 | 6 | #4 | 2 | 8'-5" | 34 |
| * S7 | 18 | #5 | STR | 3'-8" | 69 |
| S8 | 4 | #4 | 2 | 8'-7" | 23 |
| S9 | 2 | #3 | STR | 1'-10" | 1 |
| S10 | 2 | #5 | 2 | 8'-8" | 18 |
| S11 | 5 | #4 | STR | 7'-0" | 23 |
| S13 | 1 | #3 | STR | 1'-4" | 1 |

* NOTE: S7 BARS SHALL BE BENT BEFORE SHIPMENT. HEAT BENDING SHALL NOT BE ALLOWED.

BAR TYPES

ALL BAR DIMENSIONS ARE OUT-TO-OUT



QUANTITIES FOR ONE GIRDER

| | REINFORCING STEEL | 8000 PSI CONCRETE | 0.6" Ø L. R. STRANDS |
|-----------------|-------------------|-------------------|----------------------|
| | LB. | C.Y. | No. |
| EXTERIOR GIRDER | 937 | 11.7 | 14 |
| INTERIOR GIRDER | 937 | 11.7 | 14 |

GIRDERS REQUIRED

| NUMBER | LENGTH | TOTAL LENGTH |
|--------|------------|--------------|
| 4 | 57'-5 1/8" | 229'-8 1/2" |

PROJECT NO. R-2915B

ASHE COUNTY

STATION: 242+67.42 -L-

SHEET 1 OF 4

STATE OF NORTH CAROLINA
DEPARTMENT OF TRANSPORTATION
RALEIGH
STANDARD
AASHTO TYPE IV
PRESTRESSED CONCRETE GIRDER
CONTINUOUS FOR LIVE LOAD
SPANS A
NBL

ASSEMBLED BY : T.J. KIRSCHBAUM DATE : 4/26/14
CHECKED BY : R.F. WERTMAN DATE : 8/22/14
DRAWN BY : ELR 8/91 REV. 10/17/00R RWW/LES
CHECKED BY : GRP 8/91 REV. 5/1/06R TLA/GM
REV. 10/1/11 MAA/GM

PLANS PREPARED BY:
Gannett Fleming
Excellence Delivered As Promised
1121 Situs Court
Suite 170
Raleigh NC 27606-4279
(919) 859-4880
NC Lic. No. F-0270

THESE PLANS HAVE BEEN PROPERLY EXAMINED BY THE UNDERSIGNED. I HAVE DETERMINED THAT THEY COMPLY WITH EXISTING NORTH CAROLINA CODES, AND HAVE BEEN PROPERLY ADAPTED FOR USE IN THIS AREA.



| REVISIONS | | | | | | SHEET NO. S05-14 |
|-----------|-----|-------|-----|-----|-------|---------------------|
| NO. | BY: | DATE: | NO. | BY: | DATE: | |
| 1 | | | 3 | | | TOTAL SHEETS 35 |
| 2 | | | 4 | | | |

STR. NO. 5

STD. NO. PCG6