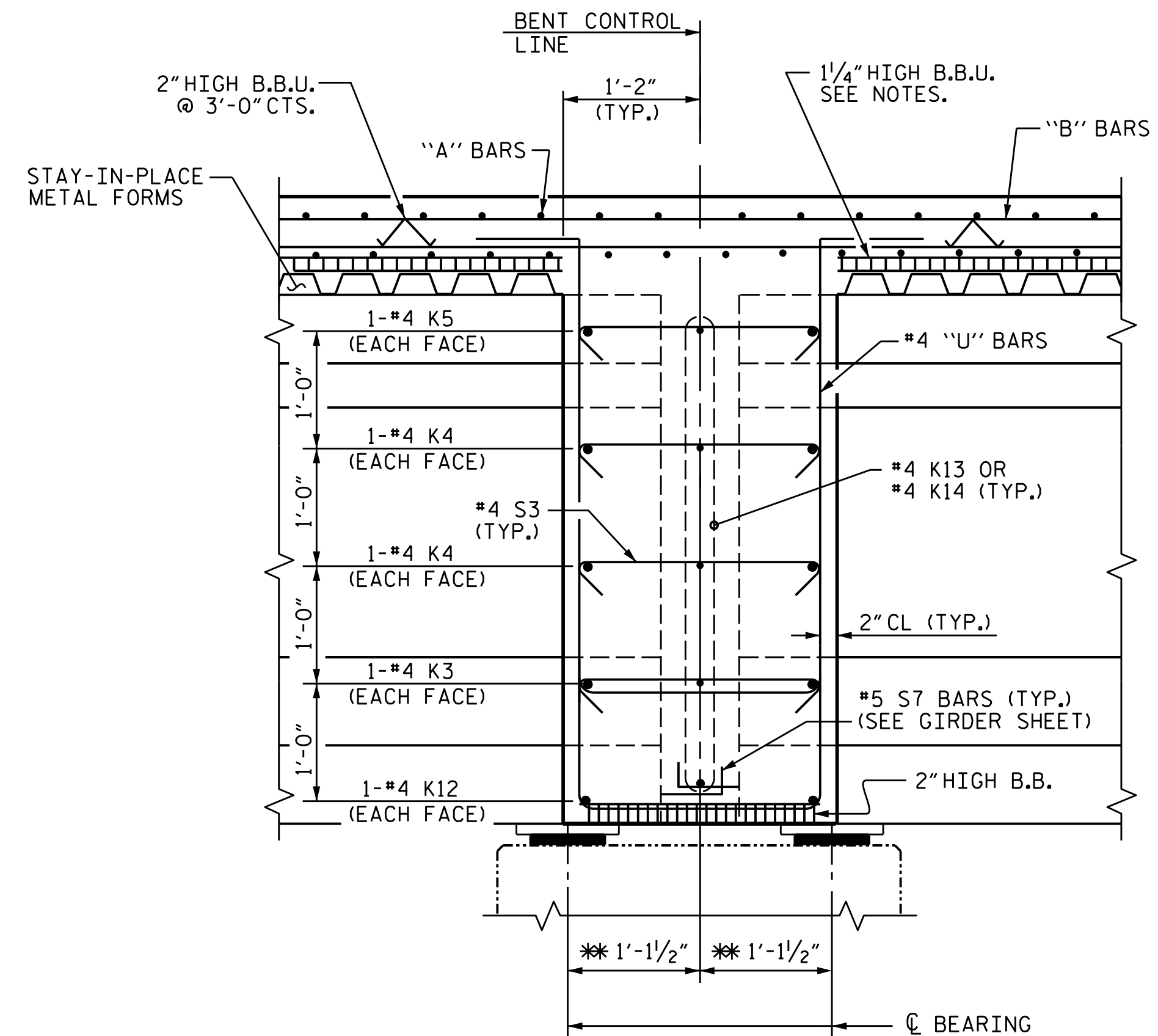
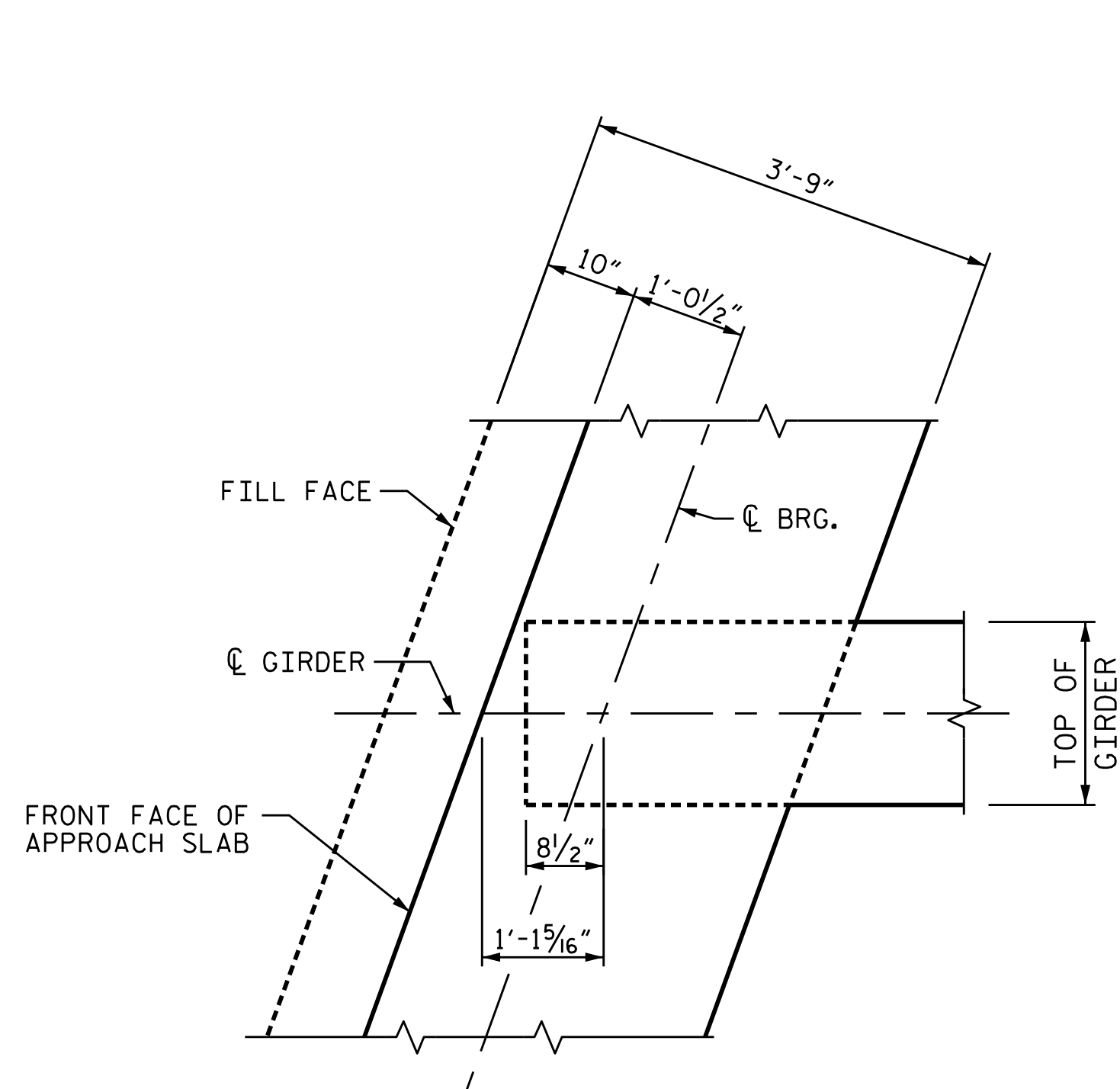


SECTION AT INTEGRAL END BENT

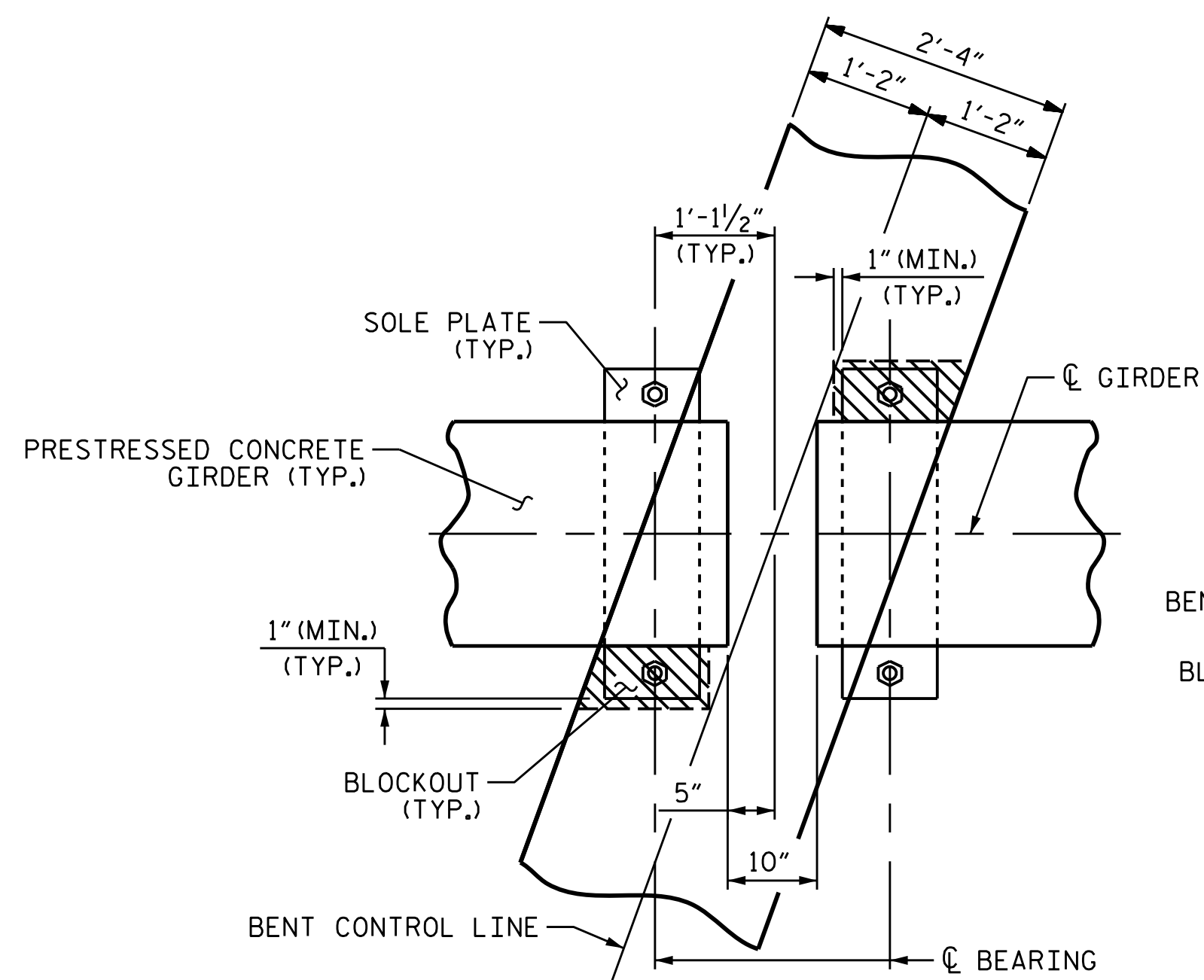


SECTION AT BENT DIAPHRAGM

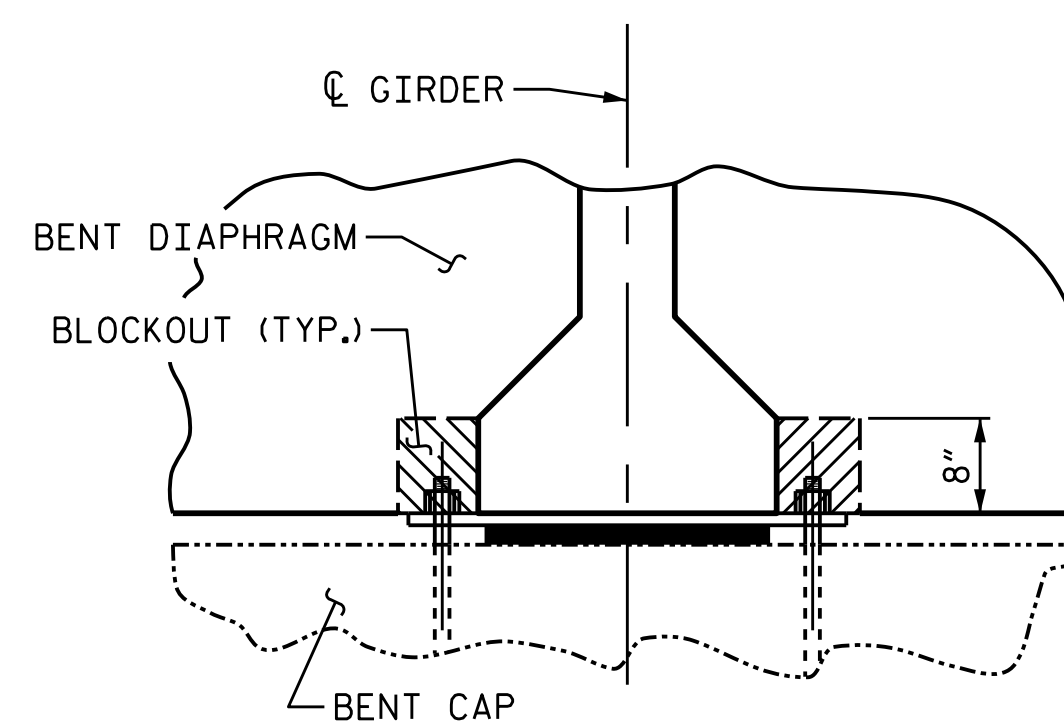
** MEASURED ALONG \bar{C} GIRDER



END BENT DIAPHRAGM



PLAN



SECTION

BENT DIAPHRAGM BLOCK-OUT DETAIL

PROJECT NO. R-2915B
ASHE COUNTY
 STATION: 242+67.42 -L-

SHEET 2 OF 2

STATE OF NORTH CAROLINA DEPARTMENT OF TRANSPORTATION RALEIGH					
SUPERSTRUCTURE					
TYPICAL SECTION DETAILS					
NBL					
REVISIONS					SHEET NO.
NO.	BY:	DATE:	NO.	BY:	DATE:
1			3		
2			4		
					TOTAL SHEETS
					35

DRAWN BY : T.J. KIRSCHBAUM DATE : 4/14/14
 CHECKED BY : R.F. WERTMAN DATE : 8/12/14
 DESIGN ENGINEER OF RECORD : R.F. WERTMAN DATE : 10/3/14

PLANS PREPARED BY:
Gannett Fleming
 Excellence Delivered As Promised

1121 Situs Court
 Suite 170
 Raleigh NC 27606-4279
 (919) 859-4880
 N.C. Lic. No. F-0270

