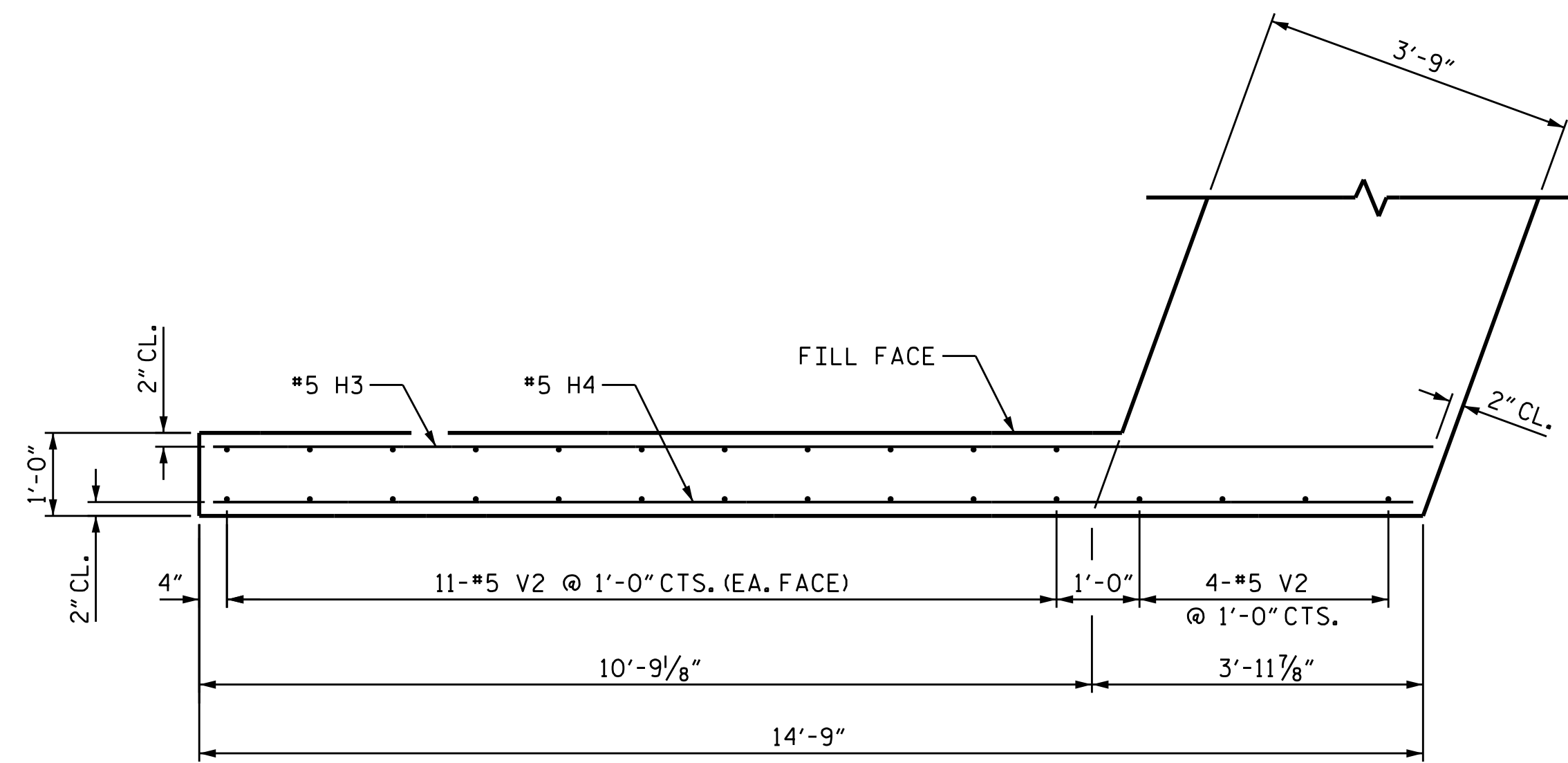


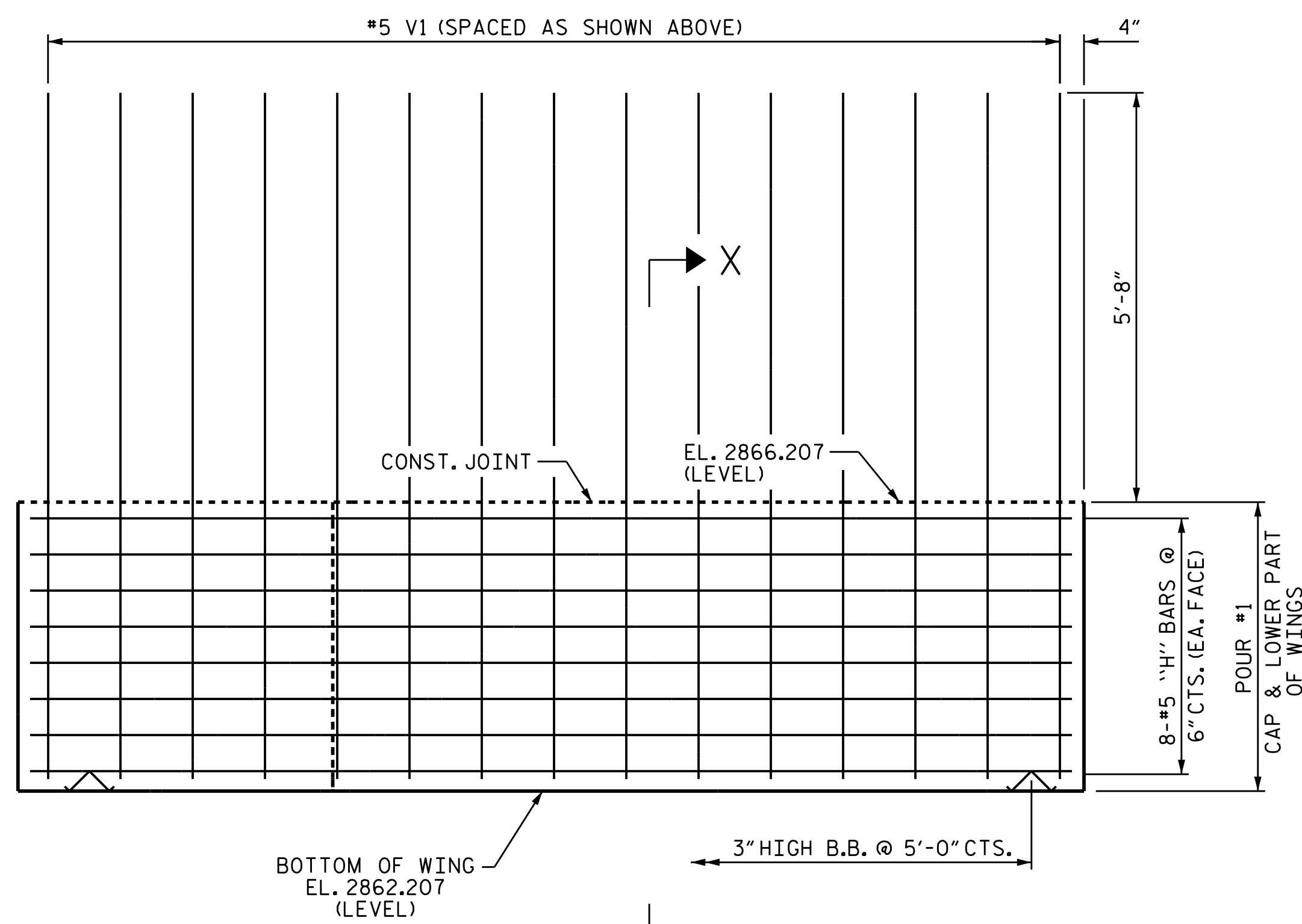
PLAN OF WING (W1)



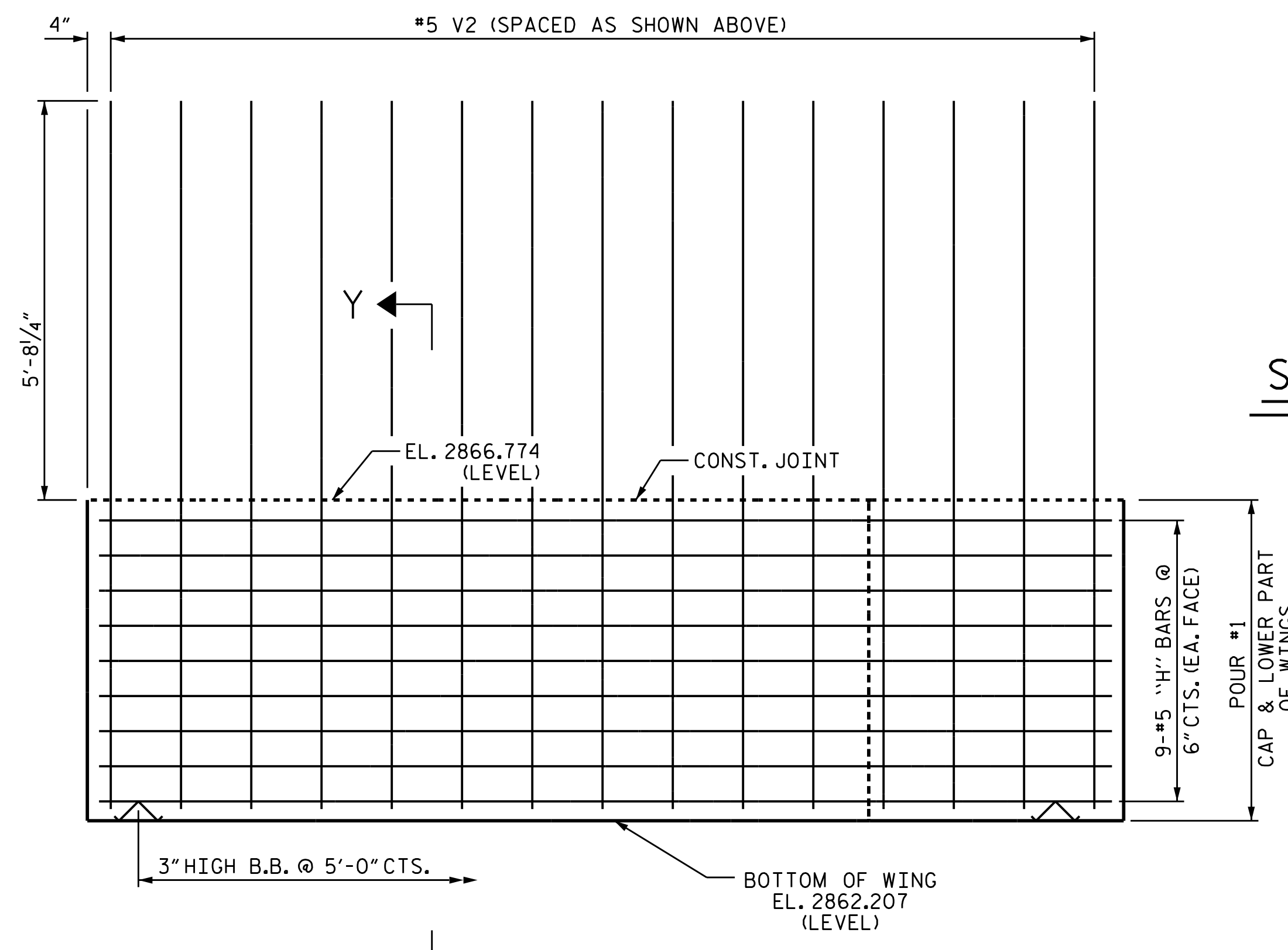
PLAN OF WING (W2)

NOTES:

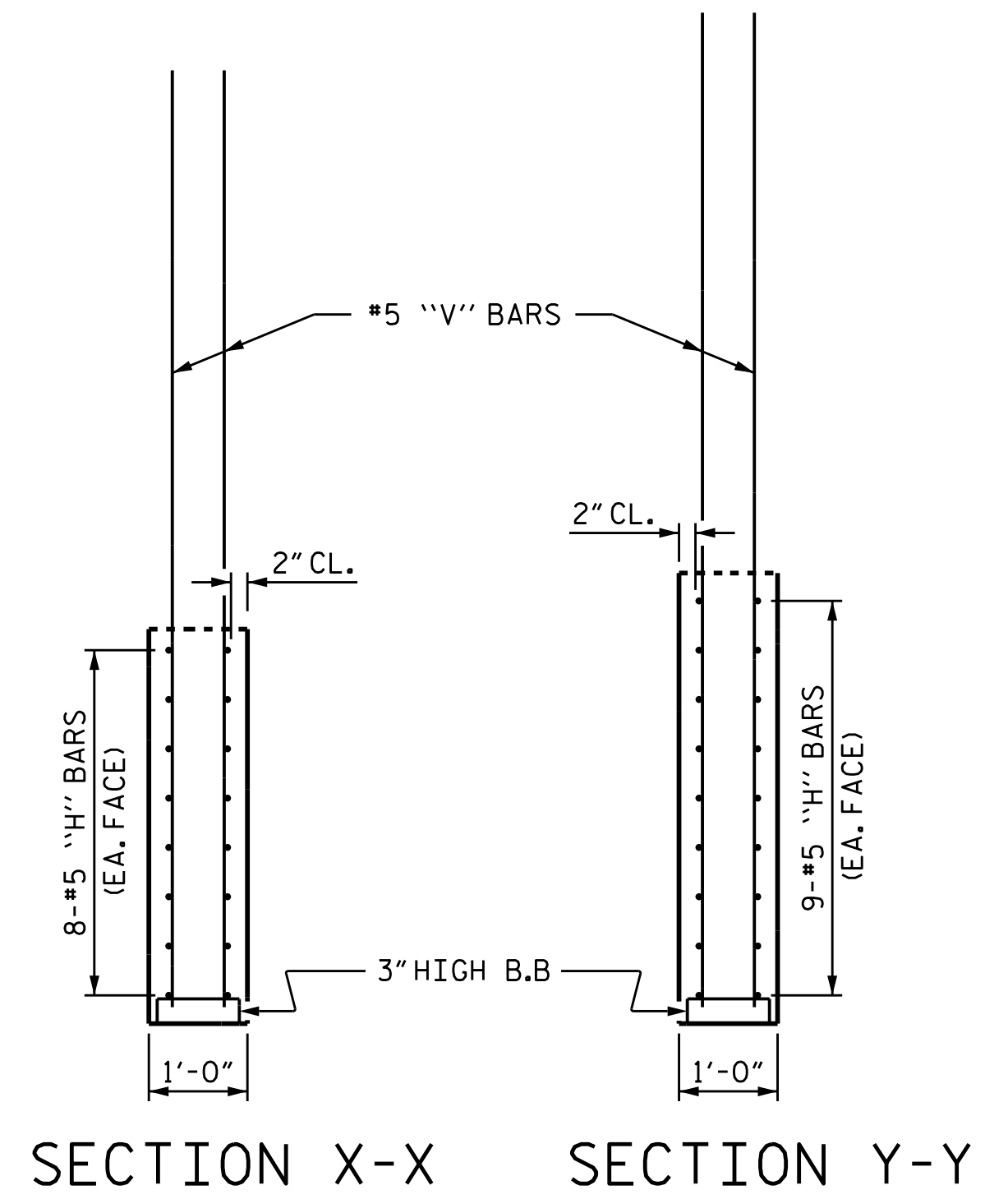
THE UPPER PORTION OF THE WINGS SHALL BE POURED WITH THE SUPERSTRUCTURE. FOR DETAILS AND REINFORCING STEEL, SEE SUPERSTRUCTURE DETAILS.



ELEVATION OF WING (W1)



ELEVATION OF WING (W2)



PROJECT NO. R-2915B
 ASHE COUNTY
 STATION: 242+67.42 -L-

SHEET 2 OF 3

STATE OF NORTH CAROLINA
 DEPARTMENT OF TRANSPORTATION
 RALEIGH
 SUBSTRUCTURE
 INTEGRAL
 END BENT #1
 SBL

REVISIONS					
NO.	BY:	DATE:	NO.	BY:	DATE:
1			3		
2			4		

SHEET NO. S04-24
 TOTAL SHEETS 35

DRAWN BY : T.J. KIRSCHBAUM DATE : 10/08/14
 CHECKED BY : E.E. DEETSCHRECK DATE : 11/10/14
 DESIGN ENGINEER OF RECORD : R.F. WERTMAN DATE : 11/13/14

PLANS PREPARED BY:
Gannett Fleming
 Excellence Delivered As Promised

1121 Situs Court
 Suite 170
 Raleigh NC 27606-4279
 (919) 859-4880
 NCLic. No. F-0270

