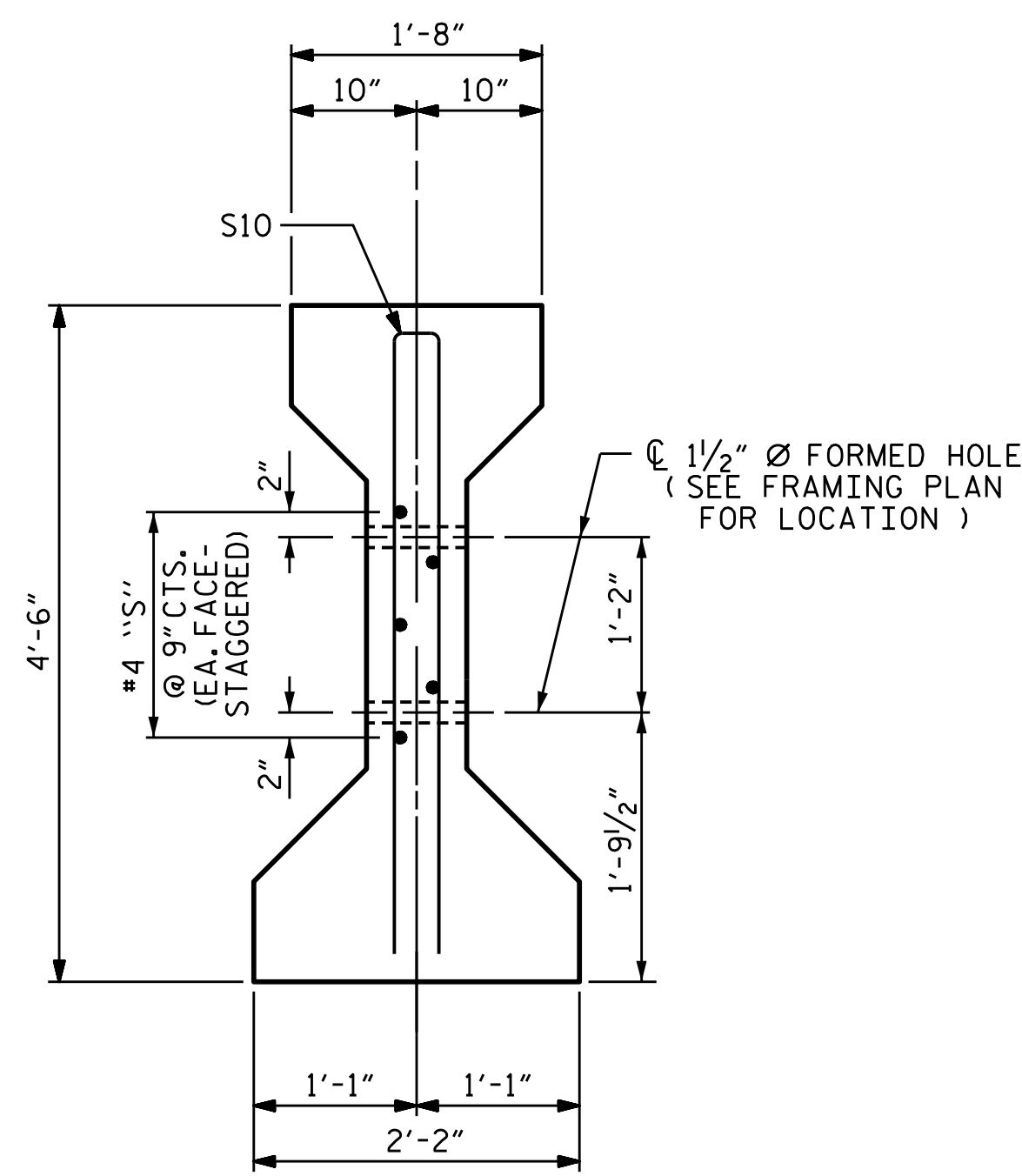
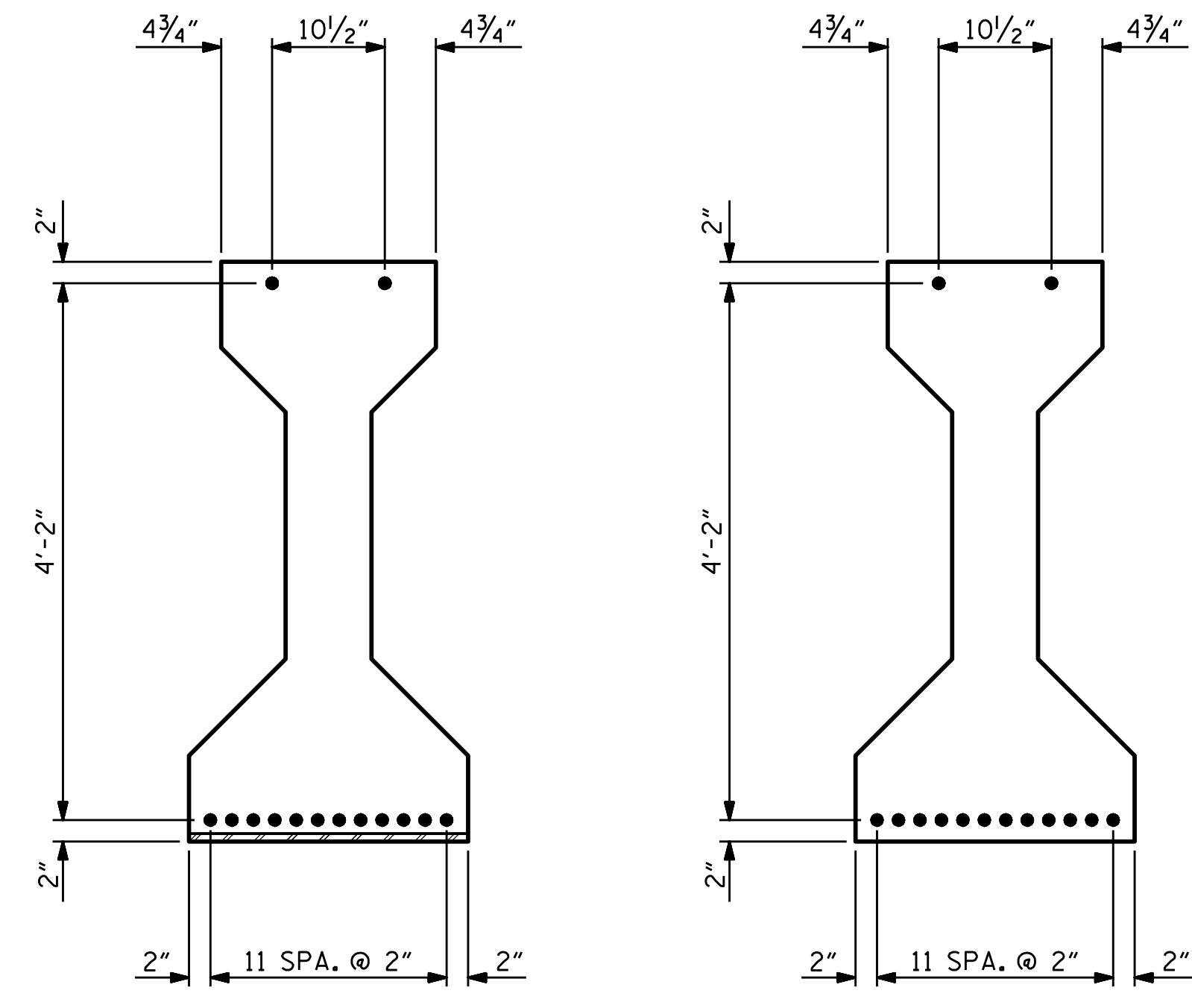


SECTION A-A

SECTION B-B



SECTION C-C  
(S1 BARS NOT SHOWN)

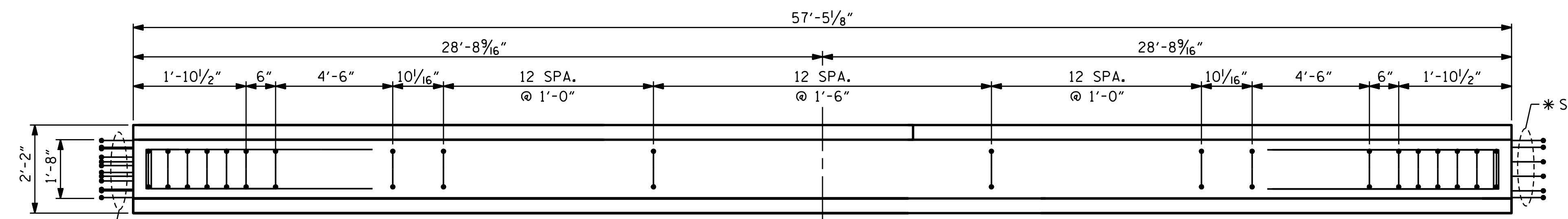


AT END OF GIRDER

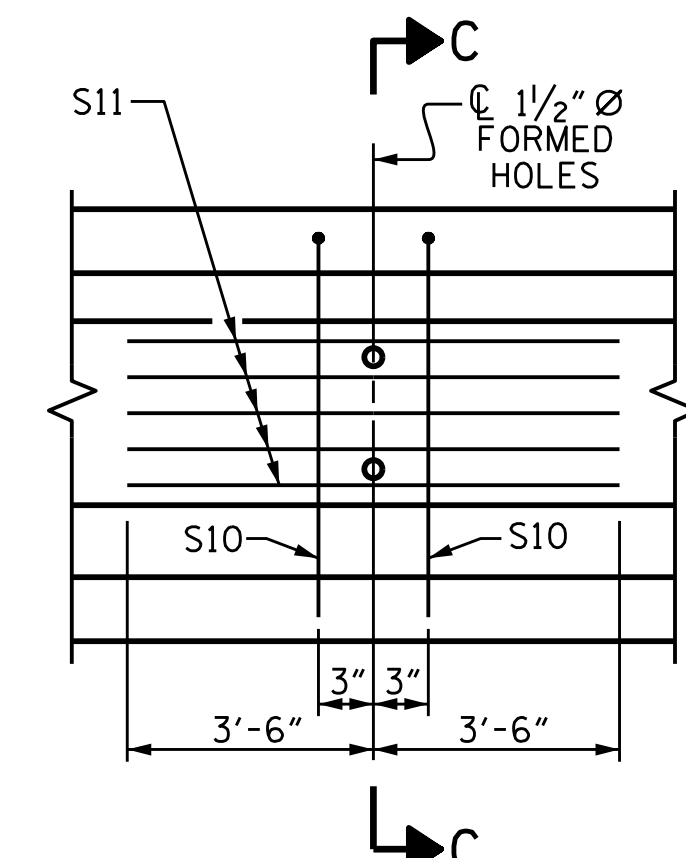
AT C OF GIRDER

0.6" Ø LOW RELAXATION STRAND LAYOUT

\* FOR S7 BARS, SEE  
DETAIL "A" OF  
PRESTRESSED  
CONCRETE GIRDER  
CONTINUOUS FOR LIVE  
LOAD DETAILS SHEET

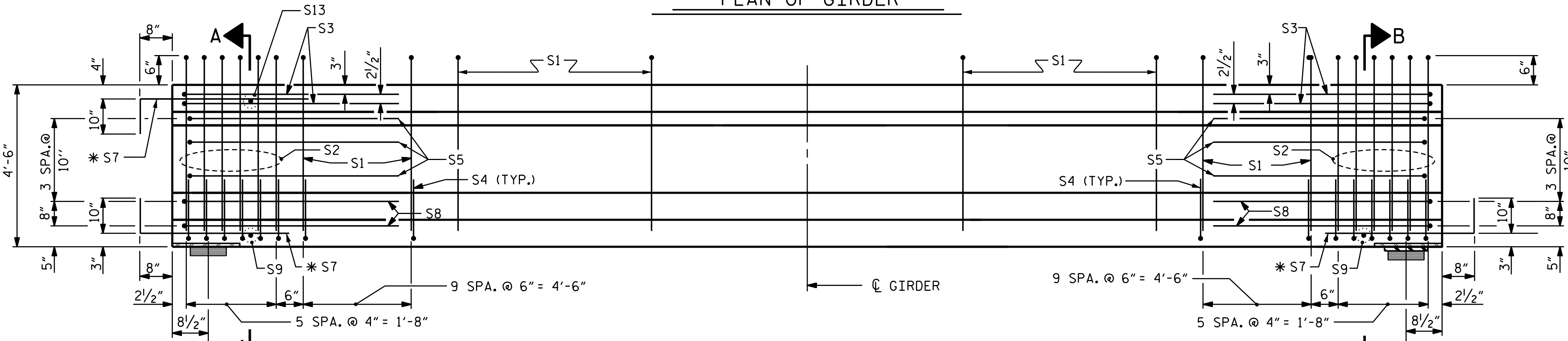


PLAN OF GIRDER



PARTIAL ELEVATION

SHOWING INTERMEDIATE DIAPHRAGM  
REINFORCING STEEL FOR ALL GIRDERS



ELEVATION OF GIRDER

(SEE PARTIAL ELEVATION FOR ADDITIONAL "S" BARS)

0.6" Ø L. R. GRADE 270 STRANDS

AREA (SQUARE INCHES)	ULTIMATE STRENGTH (LBS. PER STRAND)	APPLIED PRESTRESS (LBS. PER STRAND)
0.217	58,600	43,950

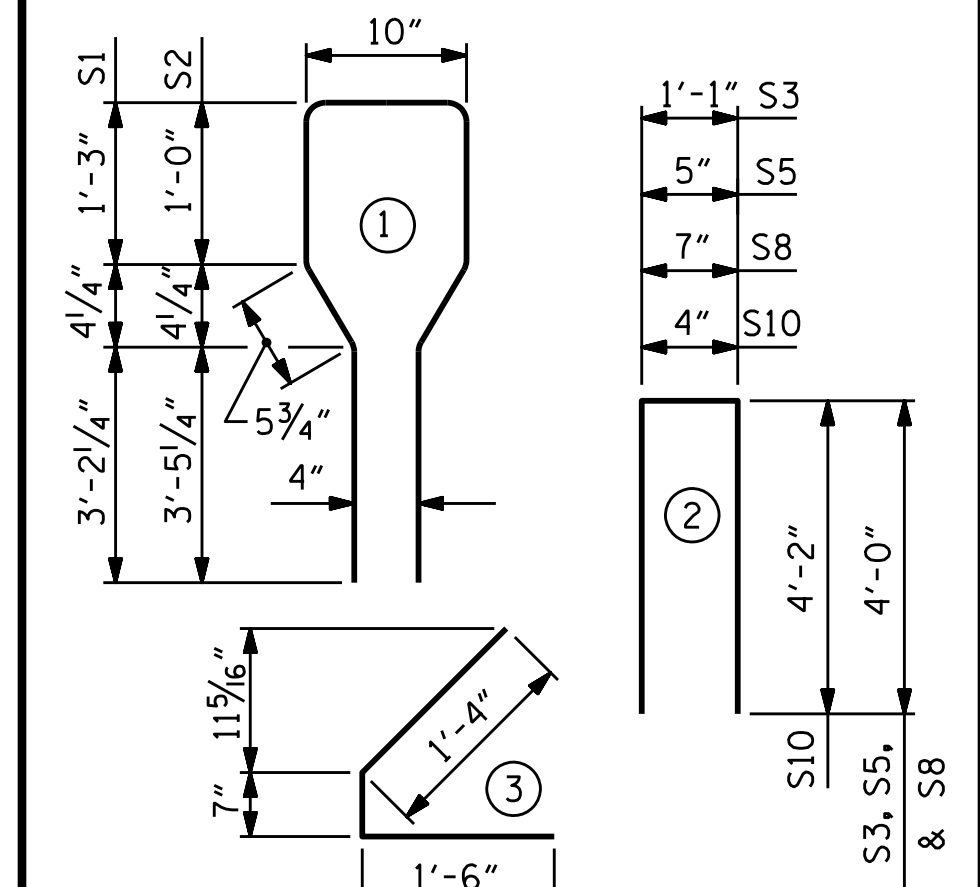
REINFORCING STEEL FOR ONE GIRDER

BAR	NUMBER	SIZE	TYPE	LENGTH	WEIGHT
S1	57	#4	1	10'-8"	406
S2	12	#6	1	10'-8"	192
S3	4	#4	2	9'-1"	24
S4	64	#4	3	3'-5"	146
S5	6	#4	2	8'-5"	34
* S7	18	#5	STR	3'-8"	69
S8	4	#4	2	8'-7"	23
S9	2	#3	STR	1'-10"	1
S10	2	#5	2	8'-8"	18
S11	5	#4	STR	7'-0"	23
S13	1	#3	STR	1'-4"	1

\* NOTE: S7 BARS SHALL BE BENT BEFORE SHIPMENT. HEAT BENDING SHALL NOT BE ALLOWED.

BAR TYPES

ALL BAR DIMENSIONS ARE OUT-TO-OUT



QUANTITIES FOR ONE GIRDER

	REINFORCING STEEL	8000 PSI CONCRETE	0.6" Ø L. R. STRANDS
	LB.	C.Y.	No.
EXTERIOR GIRDER	937	11.7	14
INTERIOR GIRDER	937	11.7	14

GIRDERS REQUIRED

NUMBER	LENGTH	TOTAL LENGTH
4	57'-5 1/8"	229'-8 1/2"

PROJECT NO. R-2915B  
ASHE COUNTY  
STATION: 242+67.42 -L-

SHEET 1 OF 4

STATE OF NORTH CAROLINA  
DEPARTMENT OF TRANSPORTATION  
RALEIGH  
STANDARD  
AASHTO TYPE IV  
PRESTRESSED CONCRETE GIRDER  
CONTINUOUS FOR LIVE LOAD  
SPANS A  
SBL

REVISIONS						SHEET NO. S04-14
NO.	BY:	DATE:	NO.	BY:	DATE:	
1			3			TOTAL SHEETS 35
2			4			

ASSEMBLED BY : T.J. KIRSCHBAUM	DATE : 4/26/14
CHECKED BY : R.F. WERTMAN	DATE : 8/15/14
DRAWN BY : ELR 8/91	REV. 10/17/00R RWW/LES
CHECKED BY : GRP 8/91	REV. 5/1/06R TLA/GM
	REV. 10/1/11 MAA/GM

PLANS PREPARED BY:  
**Gannett Fleming**  
Excellence Delivered As Promised  
1121 Situs Court  
Suite 170  
Raleigh NC 27606-4279  
(919) 859-4880  
NC Lic. No. F-0270

THESE PLANS HAVE BEEN PROPERLY EXAMINED BY THE UNDERSIGNED. I HAVE DETERMINED THAT THEY COMPLY WITH EXISTING NORTH CAROLINA CODES, AND HAVE BEEN PROPERLY ADAPTED FOR USE IN THIS AREA.

