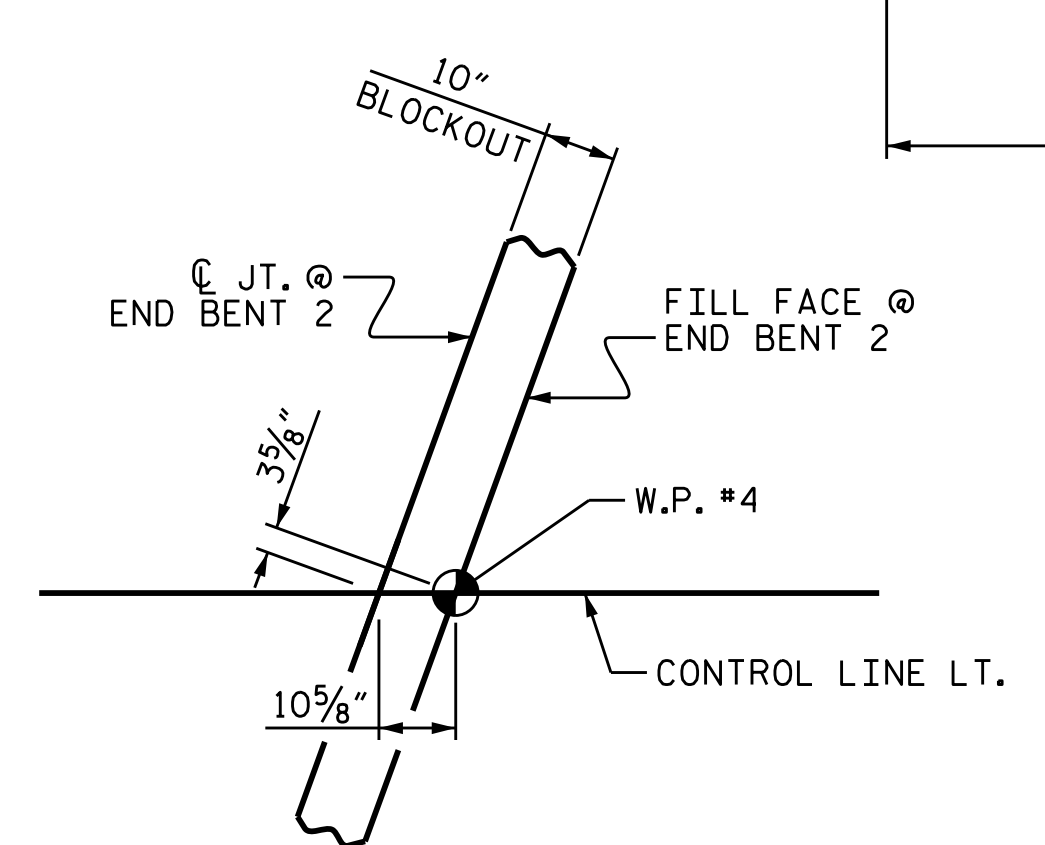


PLAN OF SPAN C



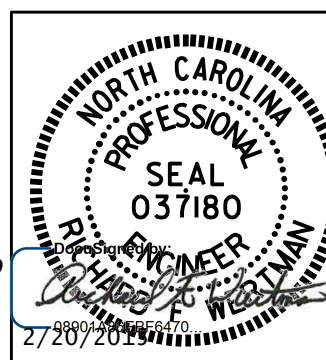
DETAIL "B"

PROJECT NO. R-2915B
ASHE COUNTY
 STATION: 242+67.42 -L-
 SHEET 3 OF 5

STATE OF NORTH CAROLINA
 DEPARTMENT OF TRANSPORTATION
 RALEIGH
 SUPERSTRUCTURE
 PLAN OF SPAN C
 SBL

DRAWN BY : T.J. KIRSCHBAUM DATE : 4/25/14
 CHECKED BY : R.F. WERTMAN DATE : 8/15/14
 DESIGN ENGINEER OF RECORD : R.F. WERTMAN DATE : 10/3/14

PLANS PREPARED BY:
Gannett Fleming
 Excellence Delivered As Promised



REVISIONS						SHEET NO. S04-9
NO.	BY:	DATE:	NO.	BY:	DATE:	
1			3			TOTAL SHEETS 35
2			4			