

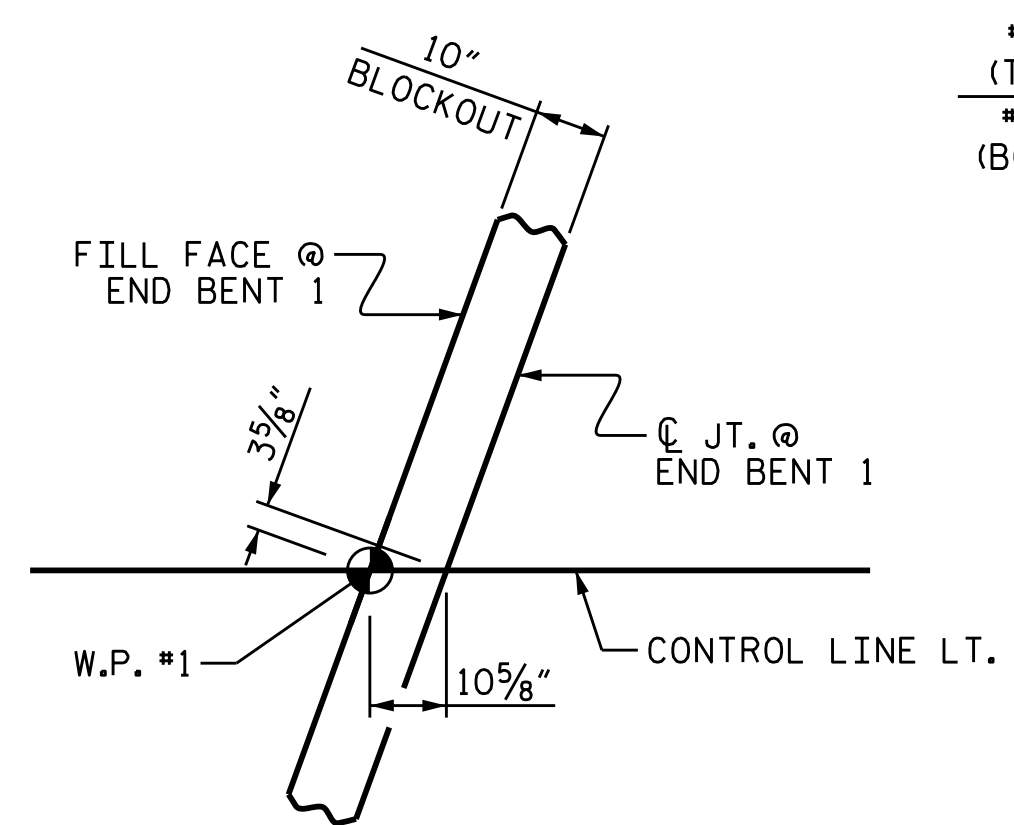
**PLAN OF SPAN A**

PROJECT NO. R-2915B  
ASHE COUNTY  
 STATION: 242+67.42 -L-

SHEET 1 OF 5

STATE OF NORTH CAROLINA  
 DEPARTMENT OF TRANSPORTATION  
 RALEIGH  
 SUPERSTRUCTURE  
 PLAN OF SPAN A  
 SBL

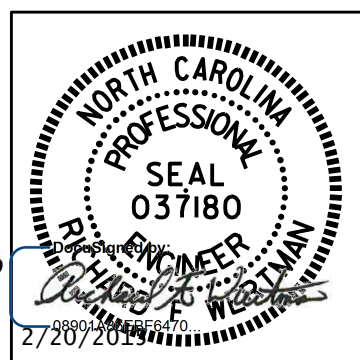
REVISIONS						SHEET NO.
NO.	BY:	DATE:	NO.	BY:	DATE:	S04-7
1			3			TOTAL SHEETS
2			4			35



**DETAIL "A"**

DRAWN BY : T.J. KIRSCHBAUM DATE : 4/25/14  
 CHECKED BY : R.F. WERTMAN DATE : 8/15/14  
 DESIGN ENGINEER OF RECORD : R.F. WERTMAN DATE : 10/3/14

PLANS PREPARED BY:  
**Gannett Fleming**  
 Excellence Delivered As Promised



1121 Situs Court  
 Suite 170  
 Raleigh, NC 27606-4279  
 (919) 859-4880  
 NCLic. No. F-0270