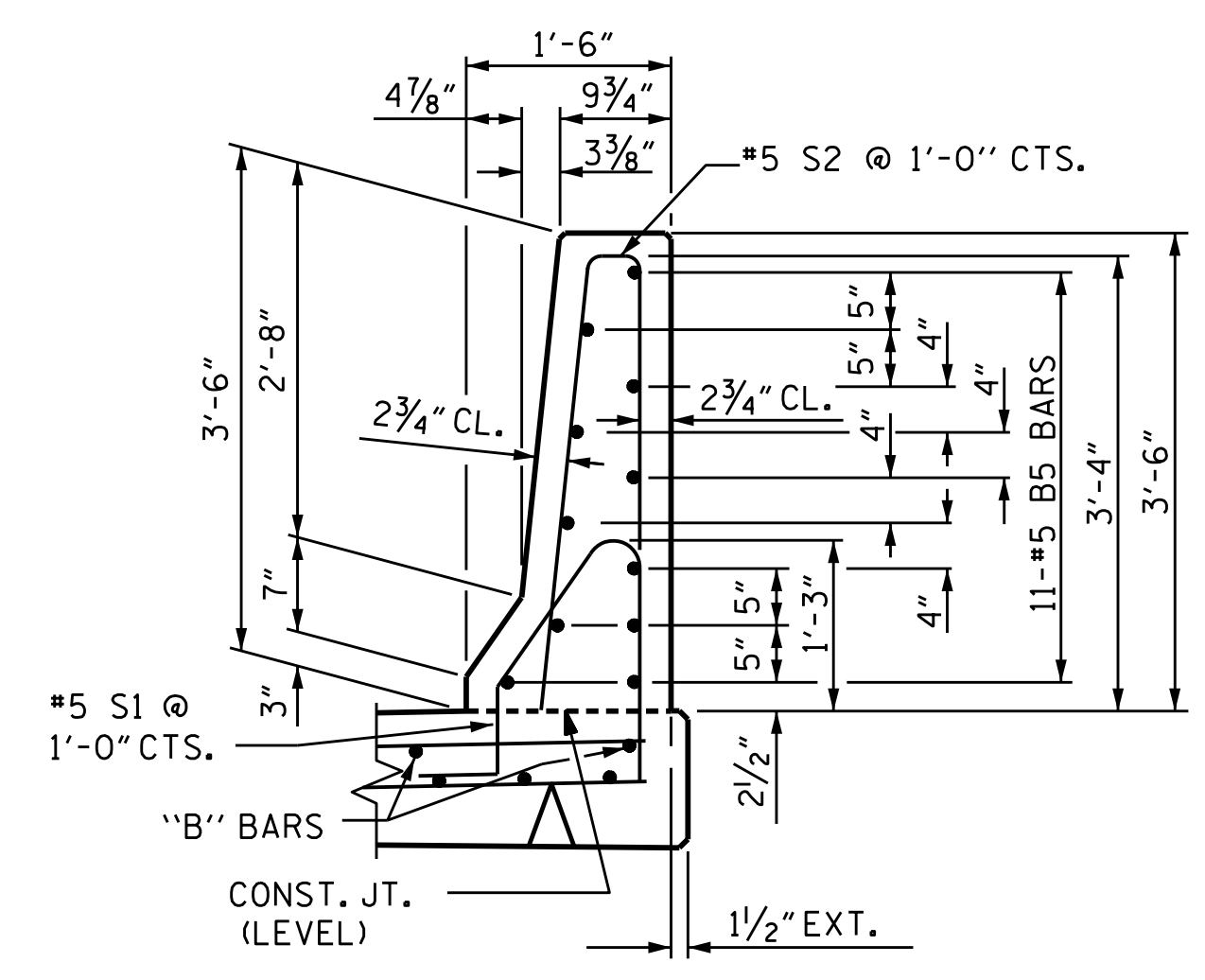
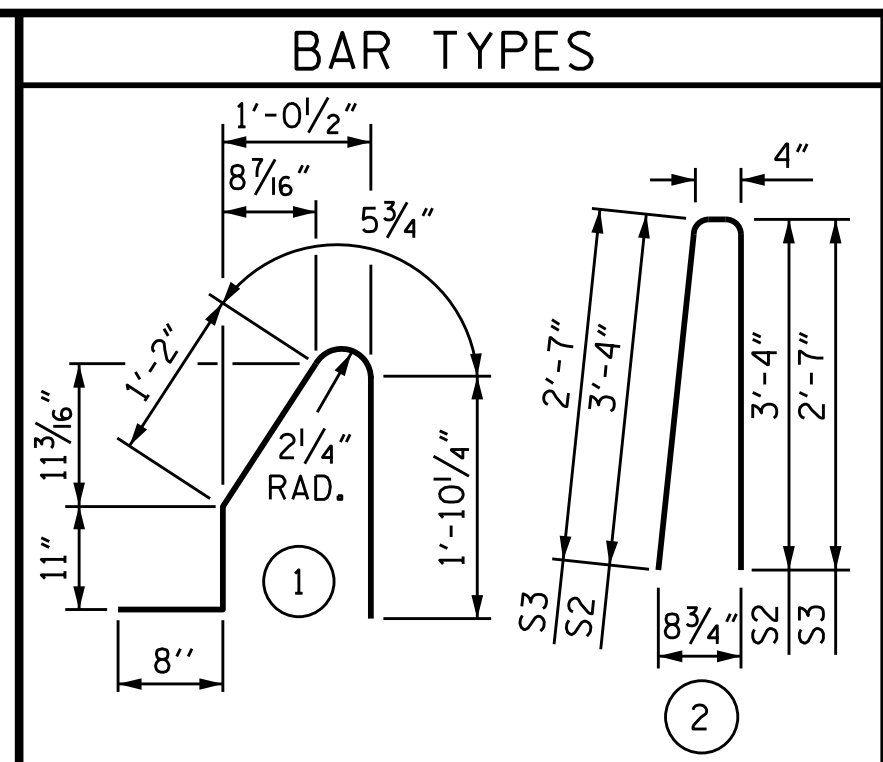


PLAN OF BARRIER RAIL

**NOTES**  
 THE COST OF THE BARRIER RAIL ON THE APPROACH SLAB SHALL BE INCLUDED IN THE LINEAR FOOT CONTRACT PRICE BID FOR "CONCRETE BARRIER RAIL".  
 THE BARRIER RAIL ON EACH APPROACH SLAB SHALL NOT BE CAST UNTIL ALL APPROACH SLAB CONCRETE HAS BEEN CAST AND HAS REACHED A MINIMUM COMPRESSIVE STRENGTH OF 3,000 PSI.  
 ALL REINFORCING STEEL IN BARRIER RAILS SHALL BE EPOXY COATED.

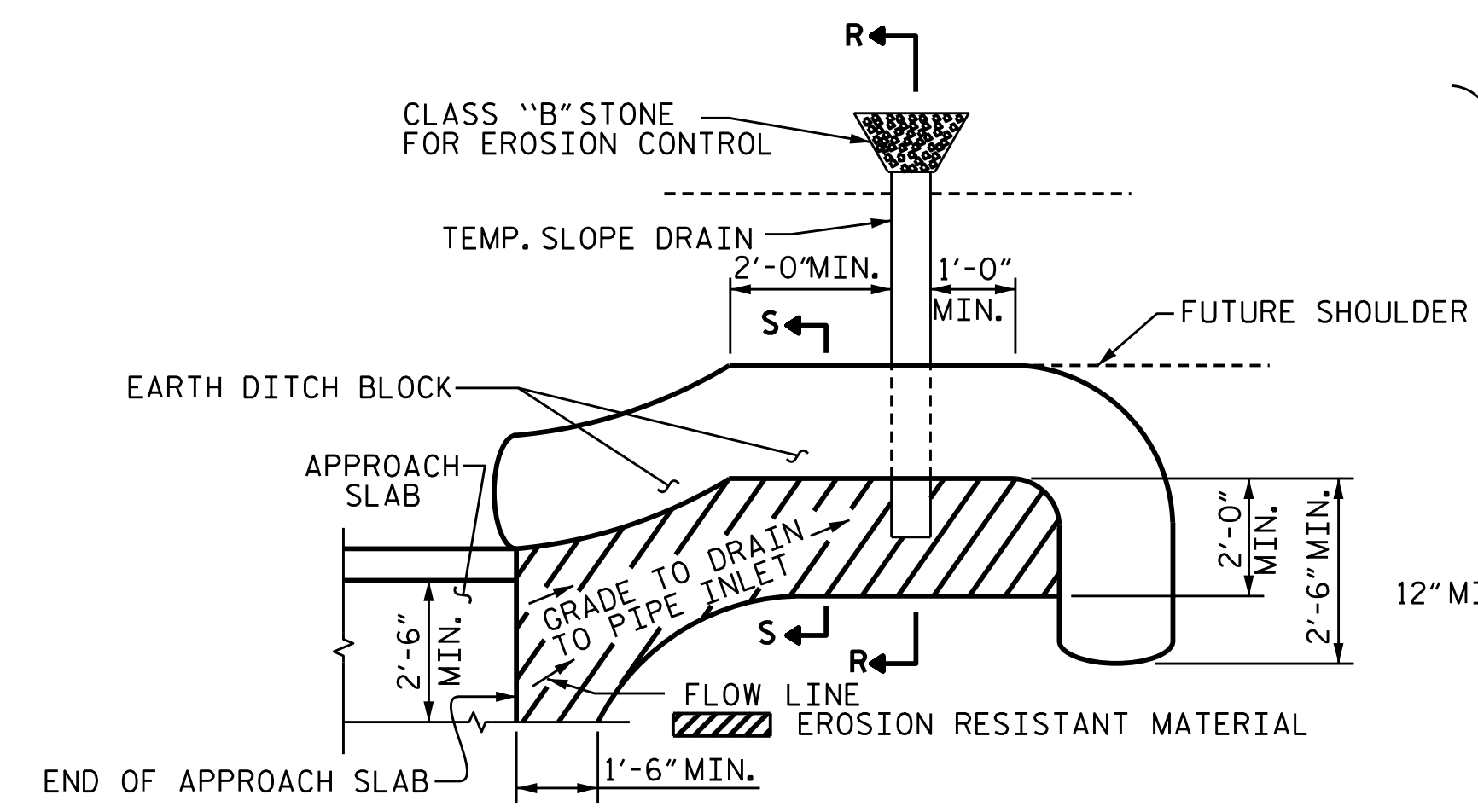


SECTION THRU RAIL

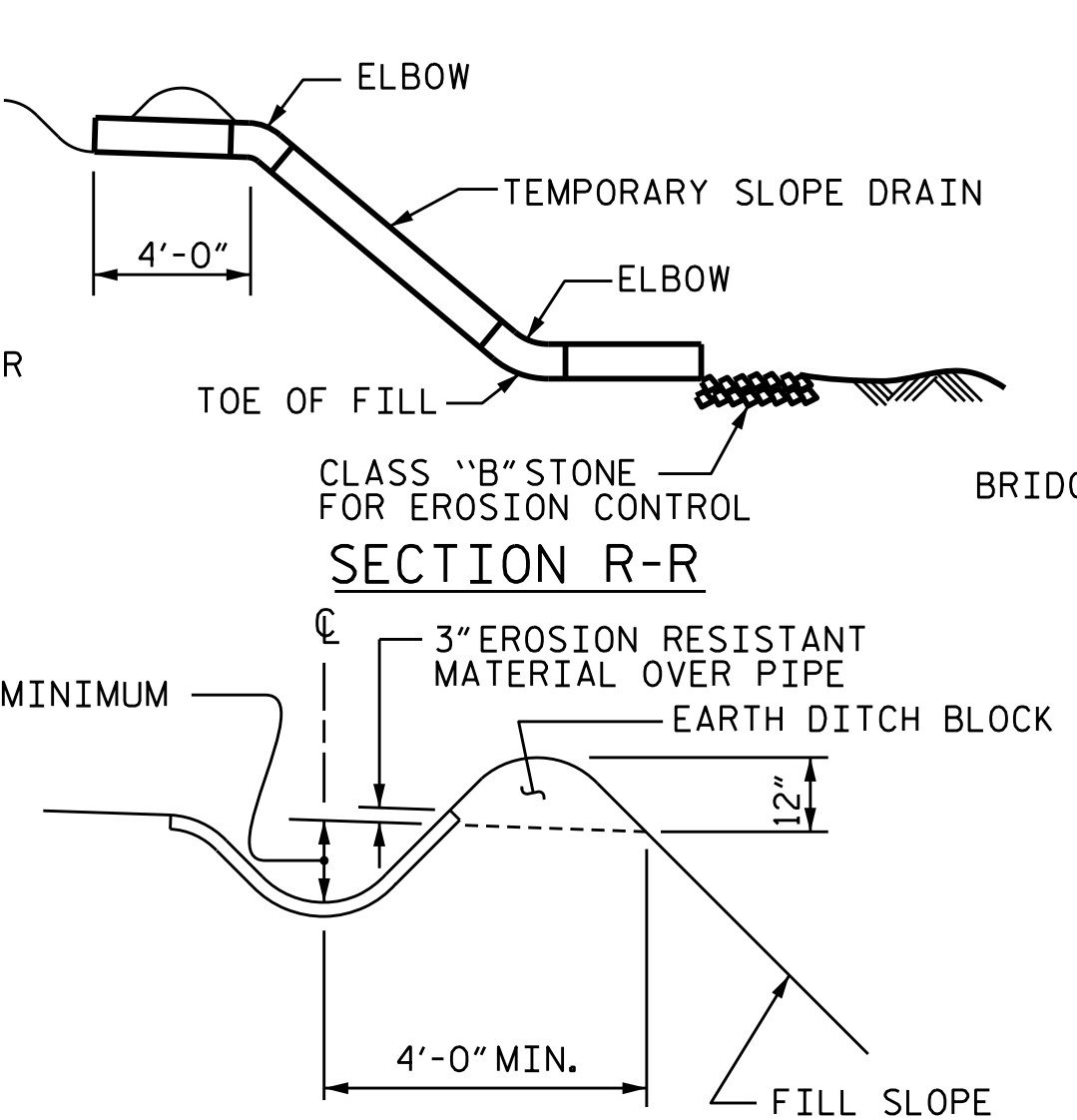


ALL BAR DIMENSIONS ARE OUT TO OUT

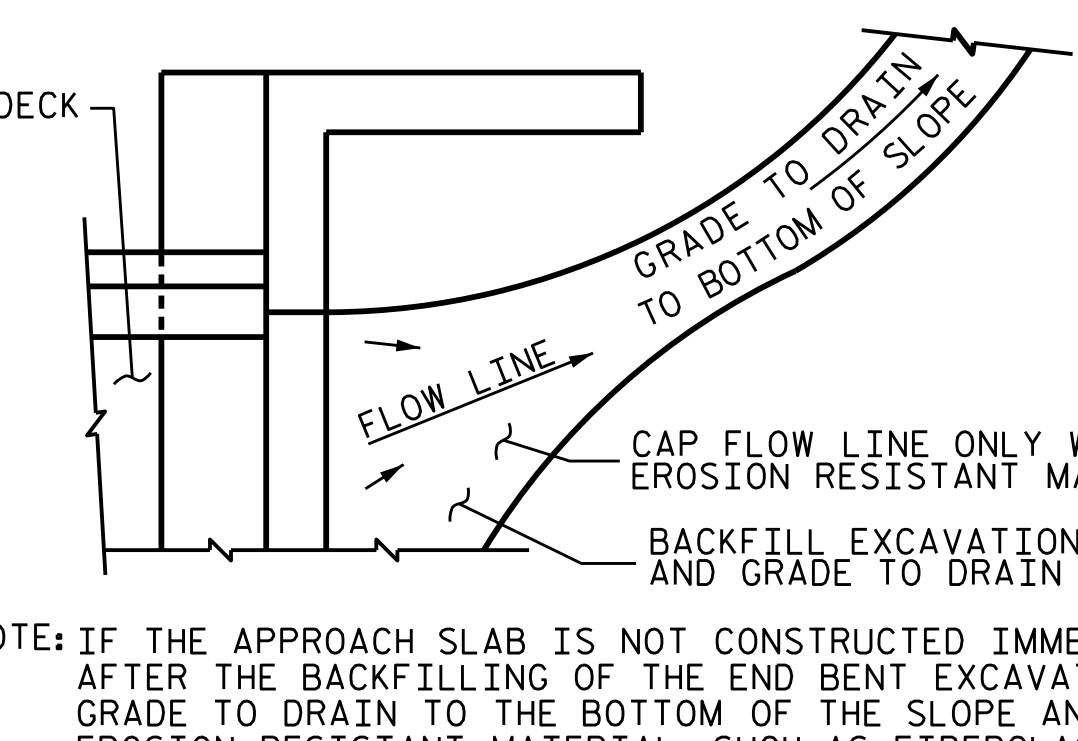
BILL OF MATERIAL					
BARRIER RAIL ONLY					
BAR NO.	NO.	SIZE	TYPE	LENGTH	WEIGHT
* B7	22	#5	STR	10'-4"	237
* B8	22	#5	STR	9'-10"	226
* S1	40	#5	1	5'-1"	212
* S2	32	#5	2	7'-0"	234
* S3	8	#5	2	5'-6"	46
* EPOXY COATED REINFORCING STEEL				LBS.	955
CLASS AA CONCRETE				C. Y.	5.7
CONCRETE BARRIER RAIL				41.6 LIN. FT.	



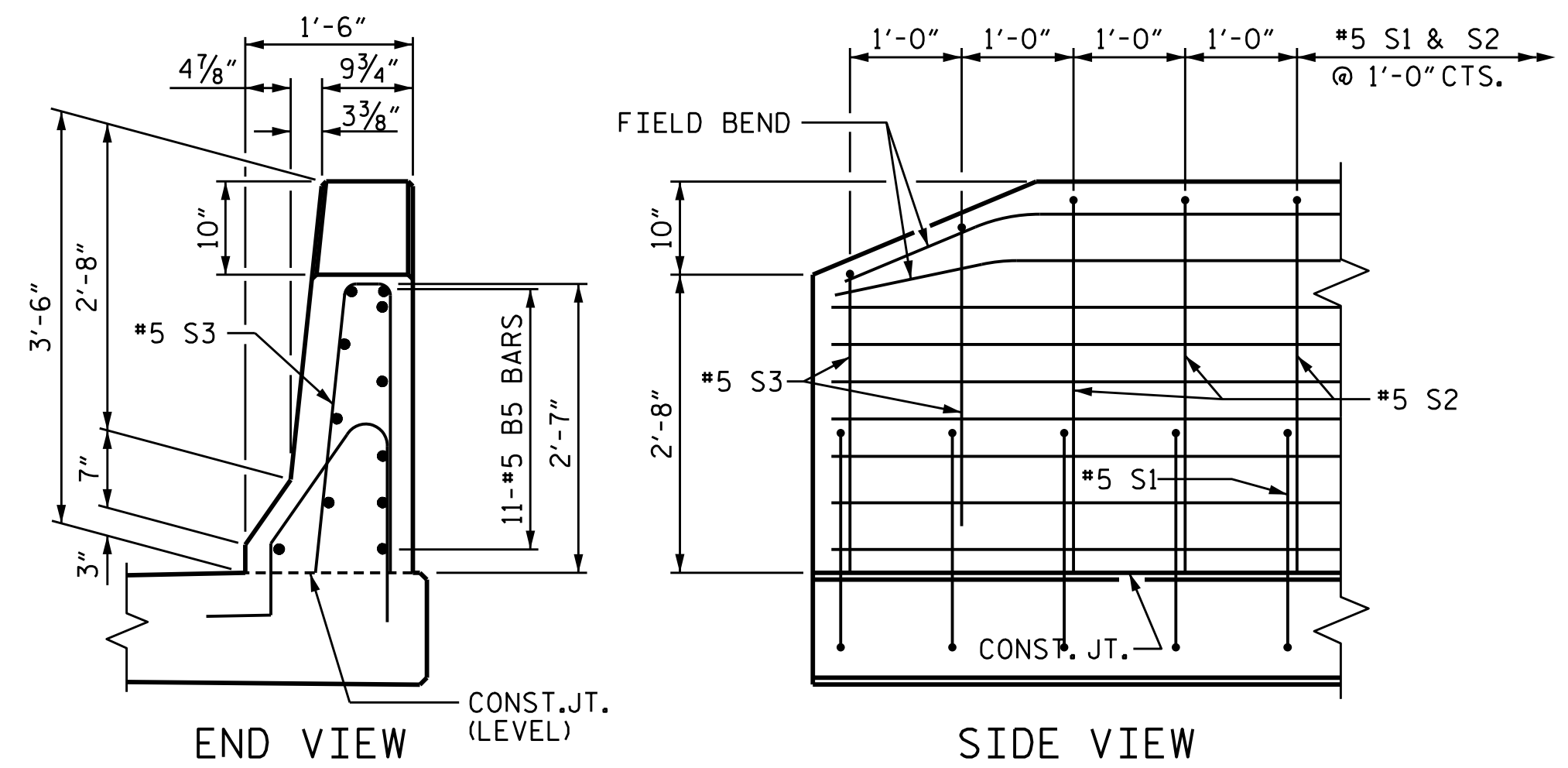
PLAN VIEW



SECTION S-S



TEMPORARY DRAINAGE DETAIL



END VIEW

SIDE VIEW

END OF RAIL DETAILS

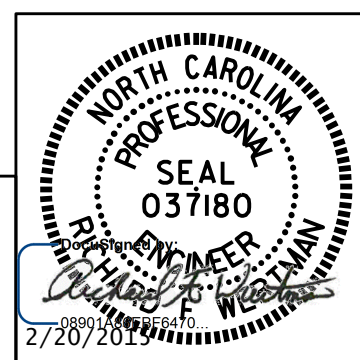
PROJECT NO. R-2915B  
 ASHE COUNTY  
 STATION: 234+19.20 -L-  
 SHEET 2 OF 2

STATE OF NORTH CAROLINA  
 DEPARTMENT OF TRANSPORTATION  
 RALEIGH  
 STANDARD  
 BRIDGE APPROACH  
 SLAB DETAILS  
 NBL

ASSEMBLED BY : T.J. KIRSCHBAUM	DATE : 09/05/14
CHECKED BY : R.F. WERTMAN	DATE : 09/05/14
DRAWN BY : FCJ 11/88	REV. 5/7/03 RWW/JTE
CHECKED BY : ARB 11/88	REV. 5/1/06RRR MAA/KMM
	REV. 10/1/11 MAA/GM

PLANS PREPARED BY:  
**Gannett Fleming**  
 Excellence Delivered As Promised  
 1121 Sittus Court  
 Suite 170  
 Raleigh NC 27606-4279  
 (919) 859-4880  
 NC Lic. No. F-0270

THESE PLANS HAVE BEEN PROPERLY EXAMINED BY THE UNDERSIGNED. I HAVE DETERMINED THAT THEY COMPLY WITH EXISTING NORTH CAROLINA CODES, AND HAVE BEEN PROPERLY ADAPTED FOR USE IN THIS AREA.



REVISIONS					
NO.	BY:	DATE:	NO.	BY:	DATE:
1			3		
2			4		

SHEET NO. S03-30  
 TOTAL SHEETS 30